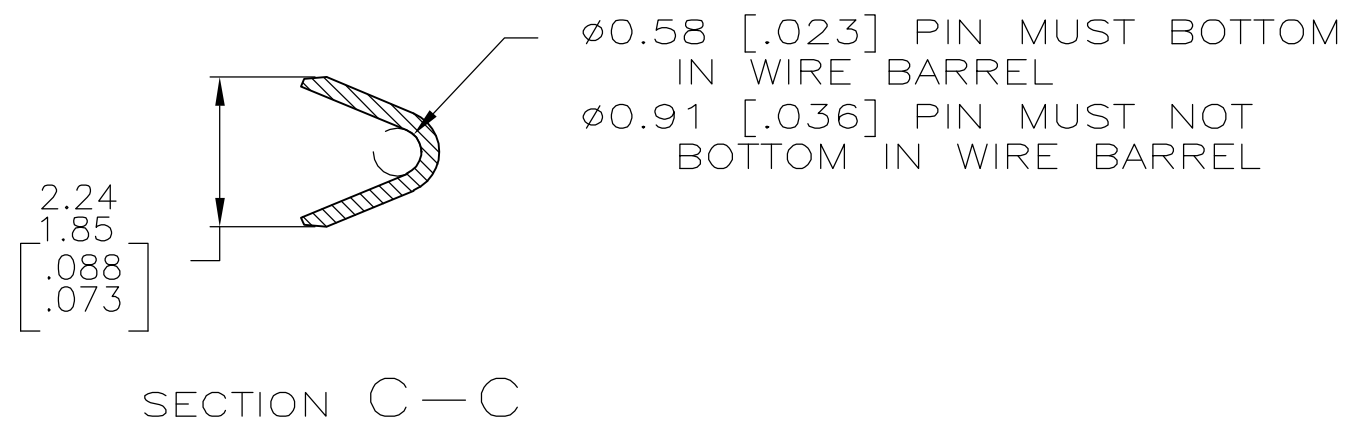
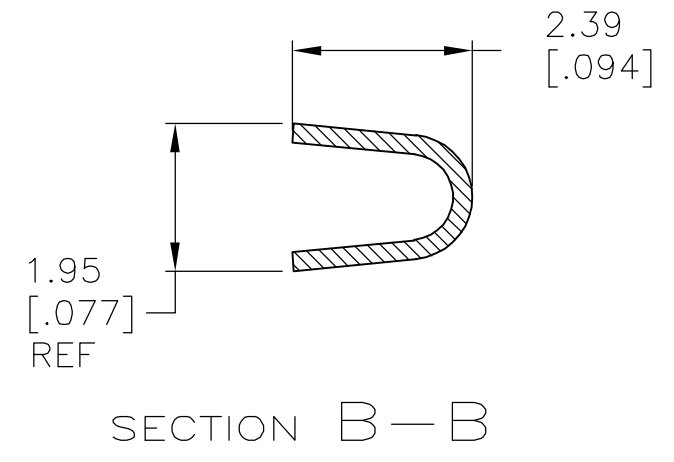
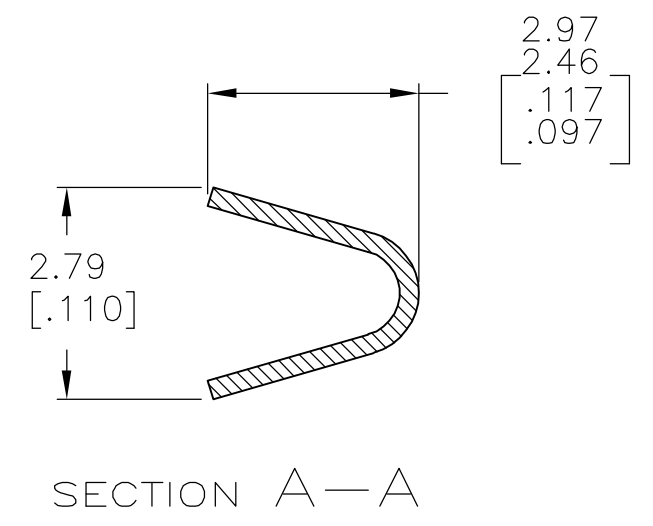
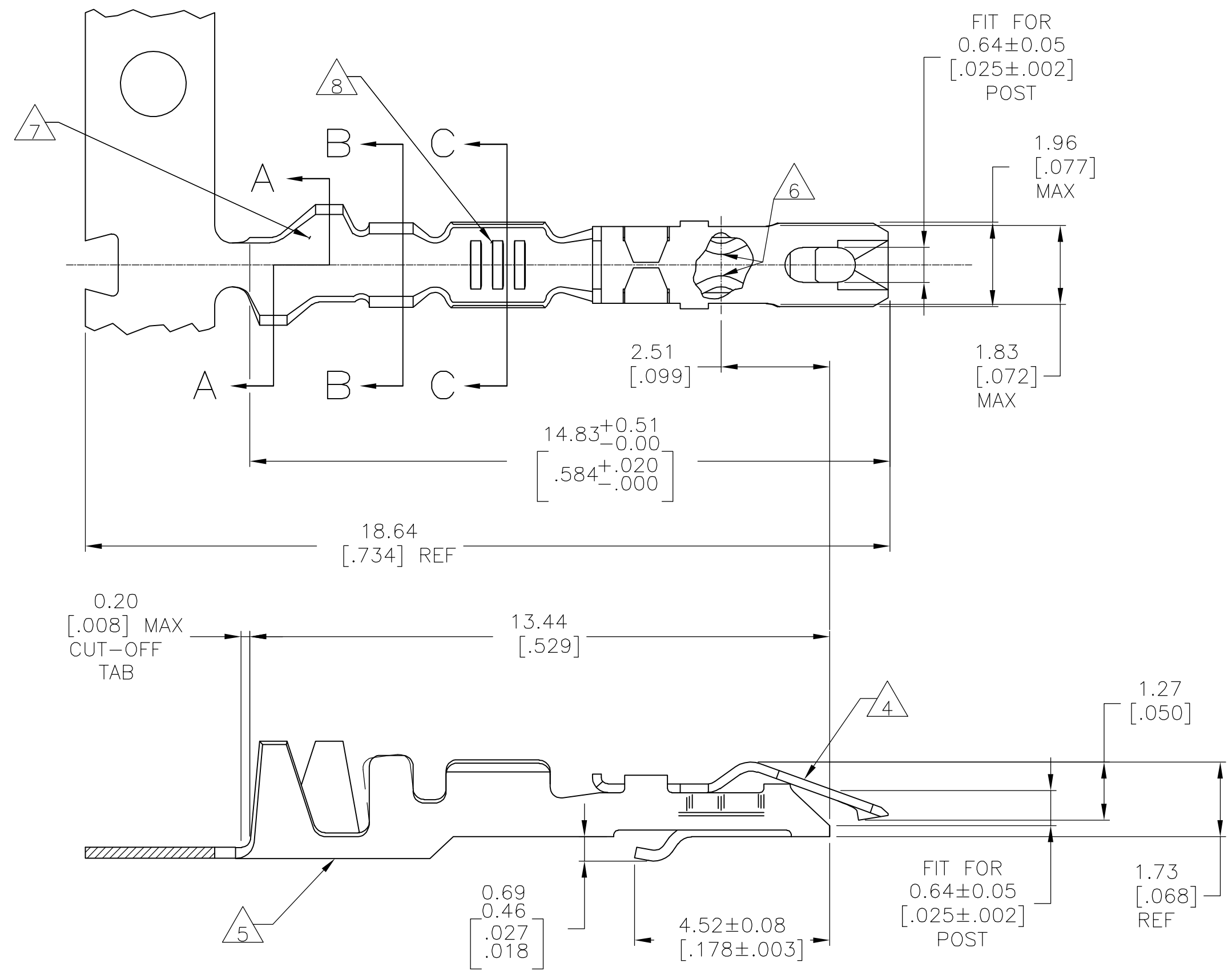


THIS DRAWING IS UNPUBLISHED. RELEASED FOR PUBLICATION
 © COPYRIGHT BY TYCO ELECTRONICS CORPORATION. ALL RIGHTS RESERVED.

LOC		DIST		REVISIONS			
P	LTR	DESCRIPTION		DATE	DWN	APVD	
	Z	ECO-06-11106		10AUG06	MB	NE	



- 1. REELED FOR MINI APPLICATOR.
- 2. PLATED WITH .00254 [.000100] TIN LEAD OVER .00127 [.000050] NICKEL ENTIRE CONTACT.
- 3. PLATED WITH .00076 [.000030] GOLD IN CONTACT AREA, GOLD FLASH ON REMAINDER, OVER .00127 [.000050] NICKEL.
- 4. SPRING MATERIAL: STAINLESS STEEL.
- 5. BODY MATERIAL: PHOSPHORUS BRONZE (SEE TABLE FOR FINISH.)
- 6. POINT OF PLATING MEASUREMENT.
- 7. INSULATION BARREL RANGE Ø0.71 [.038]-Ø1.57 [.062].
- 8. WIRE BARREL RANGE #20
- 9. PLATED WITH .00254 (.000100) TIN OVER .00127 (.000050) NICKEL, ENTIRE CONTACT.

SUPERSEDED BY 5-867052-1

9	5-867052-1
9	867052-3
3	867052-2
2	867052-1
FINISH	PART NUMBER

THIS DRAWING IS A CONTROLLED DOCUMENT.		DWN	E.BRANDBERG	17-1-93	Tyco Electronics Corporation Harrisburg, Pa 17105-3608						
DIMENSIONS: mm [INCHES]		CHK	S. SHUEY	26-1-93	CONTACT ASS'Y, LOCKING CLIP. FOR .025 SQUARE POST.						
TOLERANCES UNLESS OTHERWISE SPECIFIED:		APVD	-	-	PRODUCT SPEC	108-36028	SIZE	CAGE CODE	DRAWING NO	RESTRICTED TO	
0 PLC ± - 1 PLC ± - 2 PLC ± - 3 PLC ± 0.13[.005] 4 PLC ± - ANGLES ± - FINISH AS SHOWN		APPLICATION SPEC		114-25006	WEIGHT		-	A2	00779	C=867052	
MATERIAL AS SHOWN		CUSTOMER DRAWING		SCALE		10:1	SHEET	1	OF	1	
										REV	Z