



22MM METAL ROUND ACTUATOR: ILLUMINATED PUSHBUTTON WITH FLAT BUTTON ILLUMINABLE INCL. HOLDER FOR 3 ELEMENTS WITH HOLDER BLUE

Actuator / signaling device:		
Design of the product		Single device round
Design of the operating mechanism		Illuminated pushbutton
External diameter / of the activation element	mm	28.5
Type of unlocking device		without
Color / of the activation element		Blue
Material / of the activation element		plastic
Shape / of the activation element		Flat pushbutton
Number of switching positions		2
Product component / front ring		Yes
Material / of the front ring		metal
Color / of the front ring		silver
Design of front ring		Standard
Product function / EMERGENCY STOP function		No

General technical details:		
Resistance against shock		
<ul style="list-style-type: none"> • for devices with incandescent lamp / according to IEC 60068-2-27 		<= 30g
<ul style="list-style-type: none"> • for devices without incandescent lamp / according to IEC 60068-2-27 		<= 50g

Resistance against vibration / according to IEC 60068-2-6		20 ... 200 Hz: 5g
Operating cycles / maximum	1/h	1,000
Mechanical operating cycles as operating time / typical		3,000,000
Product extension / optional / fluorescent materials		Yes
Item designation		S
<ul style="list-style-type: none"> • according to DIN EN 61346-2 • according to DIN 40719 extendable after IEC 204-2 / according to IEC 750 		S
Tightening torque / of the screws in the bracket / maximum	N·m	1
Ambient temperature		
<ul style="list-style-type: none"> • during operating • during storage 	°C	-25 ... +70
	°C	-40 ... +80
Protection class IP		IP67
climatic class / during the operating phase / according to EN 60721		3K6
Type of mounting		front mounting
Shape / of the installation hole		round
Installation width	mm	28.5
Mounting diameter	mm	22
Mounting height	mm	12
Mounting depth	mm	29

Certificates/approvals:

General Product Approval



CSA



GOST



UL

Test Certificates

[Special Test Certificate](#)

Shipping Approval



ABS



BUREAU
VERITAS



DNV



LRS



PRS



RINA

other

[Confirmation](#)

[other](#)

[Environmental Confirmations](#)

Further information:

Information- and Downloadcenter (Catalogs, Brochures,...)

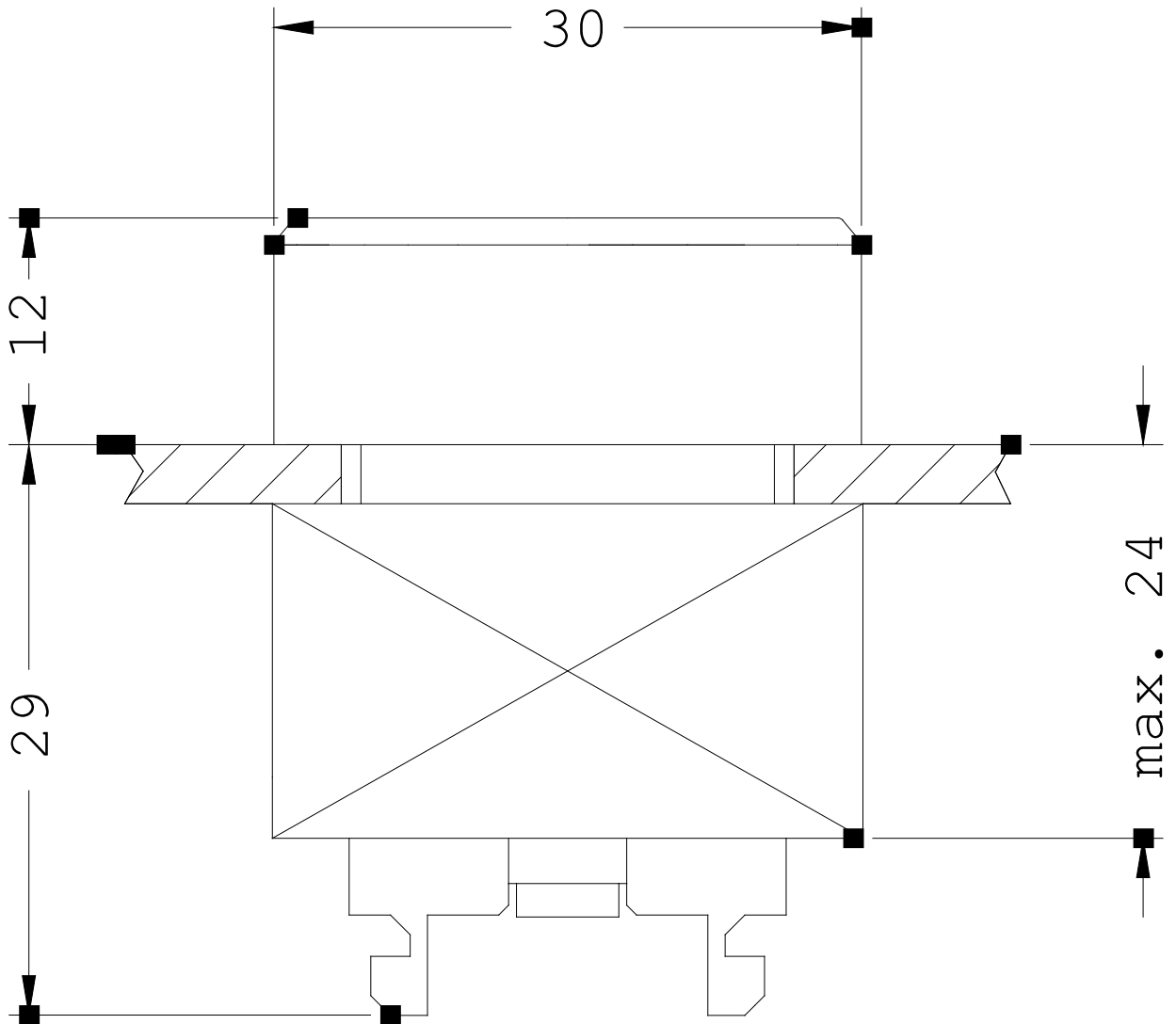
<http://www.siemens.com/industrial-controls/catalogs>

Industry Mall (Online ordering system)

<http://www.siemens.com/industrial-controls/mall>

Cax online generator:

<http://www.siemens.com/cax>



last change:

Jul 17, 2012