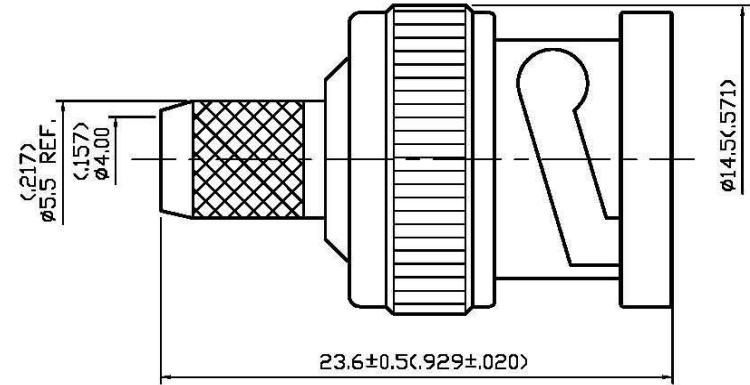
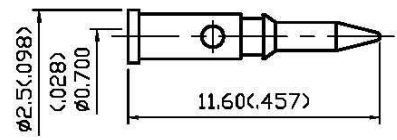
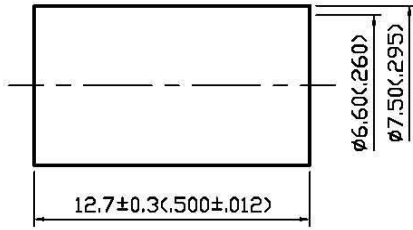


NO	DESCRIPTION	DATE
△1	BACKGROUND FORMAT UPDATED	08.29.08'
△2	DEL INTERFACE J CABLE RETENTION -65°C TO +165° C → -20°C TO +80° C	12.15.09'
△3	3.5±0.3 → 4.0 ; 15.5 → 16.0	12.06.11'
△4	DEL PROOF VOLTAGE WORKING VOLTAGE → VOLTAGE RATING	04.09.14'



**1.0 ELECTRICAL**

- 1.1 FREQUENCY RANGE: DC-4 GHz
- 1.2 NOMINAL IMPEDANCE: 50 OHMS
- 1.3 VOLTAGE RATING: 500 VOLTS MAX. △4

**2.0 MATERIALS**

- 2.1 BODIES: BRASS PER JIS-C3604
- 2.2 CENTER CONTACT: BRASS PER JIS-C3604
- 2.3 INSULATION: TEFLON PER ASTM D1457 AND ASTM D1710
- 2.4 CRIMP FERRULE: BRASS PER JIS-C2700

**3.0 FINISHES AND OTHERS**

- 3.1 SEE BELOW TABLE FOR DETAILS.

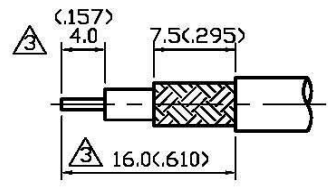
**4.0 MECHANICAL**

- 4.1 FOR USE WITH RG59U OR SIMILAR STYLE CABLE
- 4.2 CABLE ATTACHMENT: OUTER: CRIMP, INNER: SOLDER/CRIMP
- 4.3 CRIMP SIZE REQUIRED: CONTACT: 1.8(.071) HEX. CRIMP TOOL  
FERRULE: 6.5(.256) HEX. CRIMP TOOL

**5.0 ENVIRONMENTAL**

- 5.1 OPERATING TEMPERATURE RANGE: -20°C TO +80° C △2

9	CENTER CONTACT	BRASS	1	GOLD
8	CRIMP FERRULE	BRASS	1	NICKEL
7	SHELL	ZINC	1	NICKEL
6	INSULATION	TEFLON	1	NONE
5	GASKET	RUBBER	1	RED
4	WASHER	BRASS	1	NICKEL
3	SPRING WASHER	SK-5	1	NICKEL
2	WASHER	BRASS	1	NICKEL
1	BODY	BRASS	1	NICKEL 100μ" MIN.
NO	DESCRIPTION	MATERIAL	Q'TY	FINISH



STRIPPING DIMENSION

APPROVED by \_\_\_\_\_ DATE: \_\_\_\_\_



DESCRIPTION		BNC STRAIGHT PLUG CRIMP	
製圖	DRAWN <i>Kristina</i>	TOLERANCE	品名 13-10-1 T.G.Z 59U
檢圖	CHECK <i>Angela</i>	.X ±0.2	DATE 06.11.92'
認定	APPROVAL <i>Angela</i>	.XX ±0.1	版次 B-4
		.XXX ±0.05	DWG.NO. 13-0075
		ANGLE ±5°	5464869
			UNIT mm(In)
			SCALE 4:1