

**Ordering number CA11929\_LR2-RS**

Family	Leila	FWHM	10 degrees
Type	Assembly	Efficiency	92 %
LED	Oslon Square EC	cd/lm	17.600
Color	White	Gerber File	Available
Diameter	21.6 mm		
Height	14.3 mm		
Style	Round		
Optic Material	PMMA		
Holder Material	PC		
Fastening	Pin, tape		
Status	Ready		

**Ordering number CA11930\_LR2-D**

Family	Leila	FWHM	12 degrees
Type	Assembly	Efficiency	91 %
LED	Oslon Square EC	cd/lm	11.100
Color	White	Gerber File	Available
Diameter	21.6 mm		
Height	14.3 mm		
Style	Round		
Optic Material	PMMA		
Holder Material	PC		
Fastening	Pin, tape		
Status	Ready		

**Ordering number CA12629\_LR2-O-90**

Family	Leila	FWHM	14+34 degrees
Type	Assembly	Efficiency	88 %
LED	Oslon Square EC	cd/lm	4.300
Color	White	Gerber File	Available
Diameter	21.6 mm		
Height	14.5 mm		
Style	Round		
Optic Material	PMMA		
Holder Material	PC		
Fastening	Pin, tape		
Status	Ready		

**Ordering number CA11931\_LR2-M**

Family	Leila	FWHM	26 degrees
Type	Assembly	Efficiency	90 %
LED	Oslon Square EC	cd/lm	4.500
Color	White	Gerber File	Available
Diameter	21.6 mm		
Height	14.3 mm		
Style	Round		
Optic Material	PMMA		
Holder Material	PC		
Fastening	Pin, tape		
Status	Ready		



**PRODUCT DATASHEET**  
**Leila series**  
last update 13/2/2013



**NOTE: The typical divergence will be changed by different color, chip size and chip position tolerance. The typical total divergence is the full angle measured where the luminous intensity is half of the peak value.**



## PRODUCT DATASHEET

### Leila series

last update 13/2/2013



#### GENERAL INFORMATION

- Product series especially designed & optimized for Oslon Square EC series of LEDs.
- Special care taken to make light distribution as uniform as possible.
- Lens material optical grade PMMA with high UV and temperature resistance. Allows use of high current and temperature conditions.

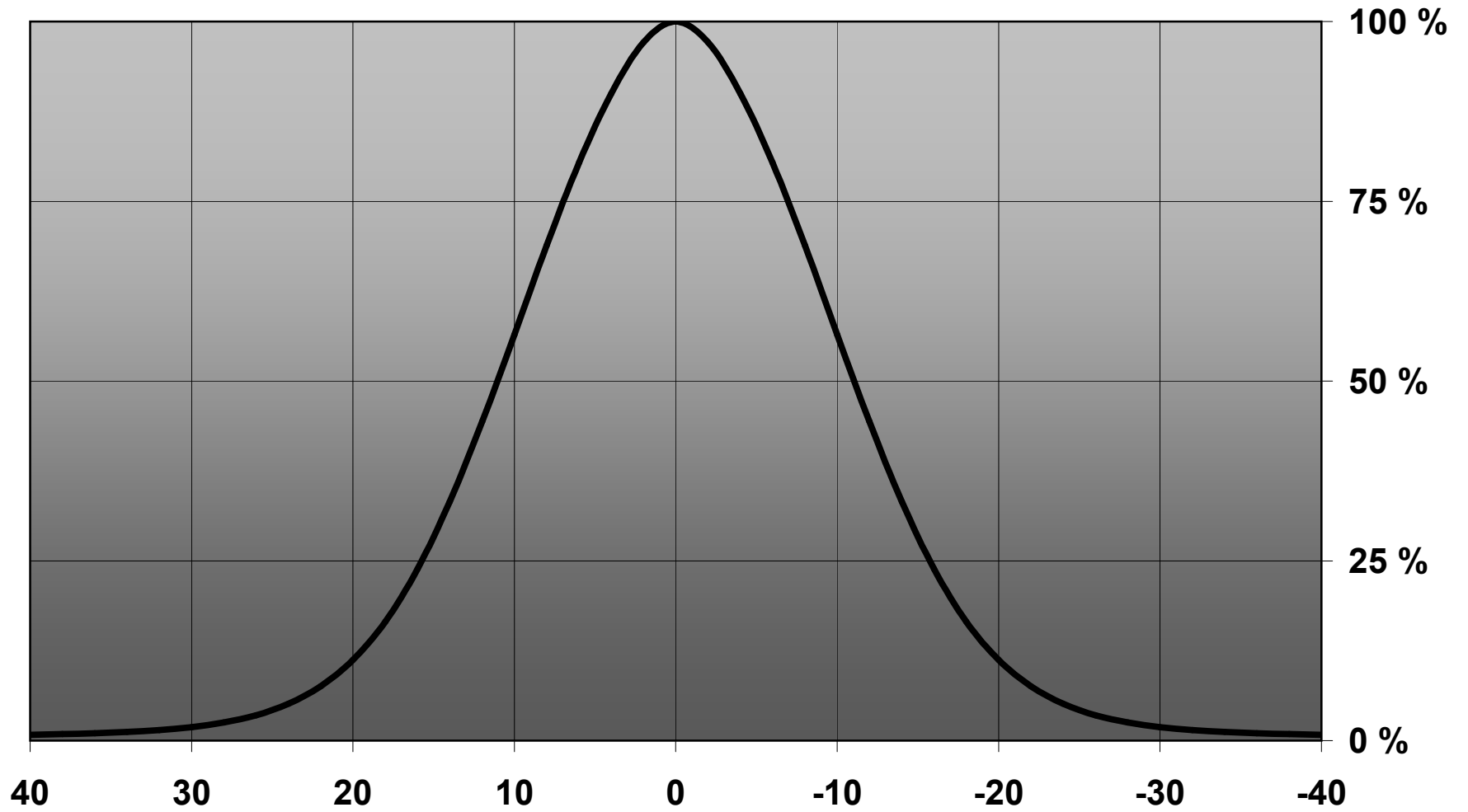
Please find more information about used material from below:

[http://ledil.fi/sites/default/files/Documents/Technical/Material/PMMA%20N%20UL94\\_Yellow%20Card.pdf](http://ledil.fi/sites/default/files/Documents/Technical/Material/PMMA%20N%20UL94_Yellow%20Card.pdf)

<http://ledil.fi/sites/default/files/Documents/Technical/Material/PMMA%20N%20PLEXIGLAS-Datasheet.pdf>

- Optic holder molded by high quality PC material (120 degrees of Celcius / 248 degrees of Fahrenheit).

# Relative intensity of CA11931\_LR2-ES-M



D

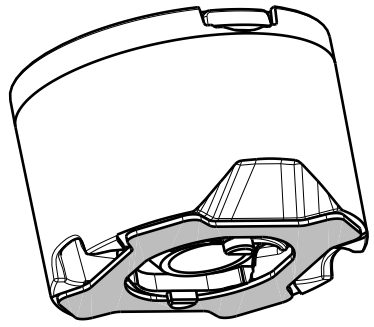
C

B

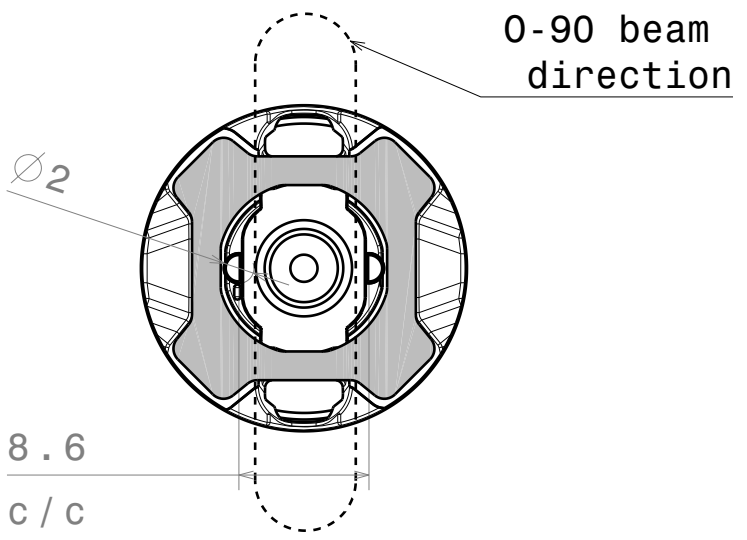
A

4

4

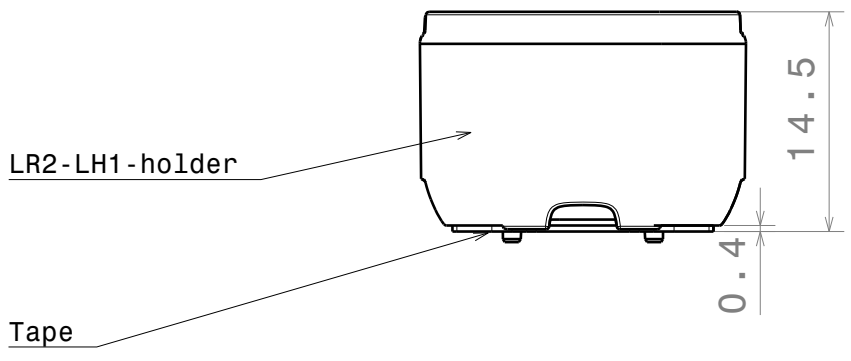


Isometric view



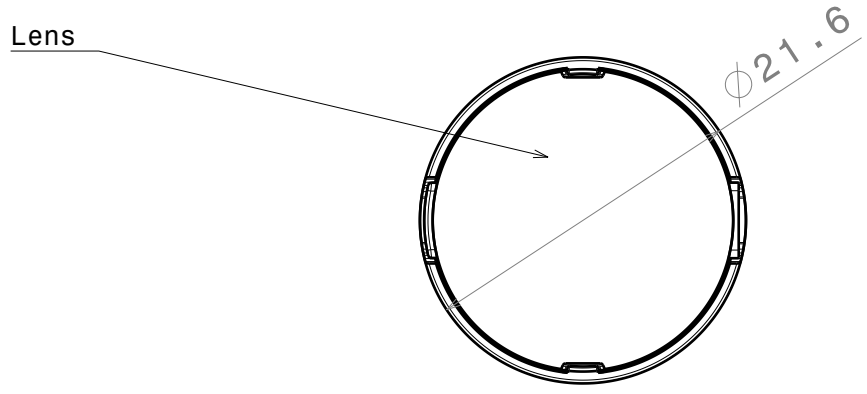
3

3



2

2



Materials:  
 Lens: PMMA  
 Holder: PC white  
 Tape: PU FOAM

This drawing is our property.  
 It can't be reproduced  
 or communicated without  
 our written agreement.



Ledil Oy  
 Salorankatu 10  
 FIN-24100 SALO  
 Finland

DRAWING TITLE

Datasheet LR2-ES series

DRAWN BY  
ah

DATE  
27.1.2012

CHECKED BY  
sn

DATE  
27.1.2012

SIZE  
A4

DRAWING NUMBER

REV  
3

DESIGNED BY  
pl

DATE  
27.08.2010

SCALE 1:1

WEIGHT (g)

SHEET

1/1

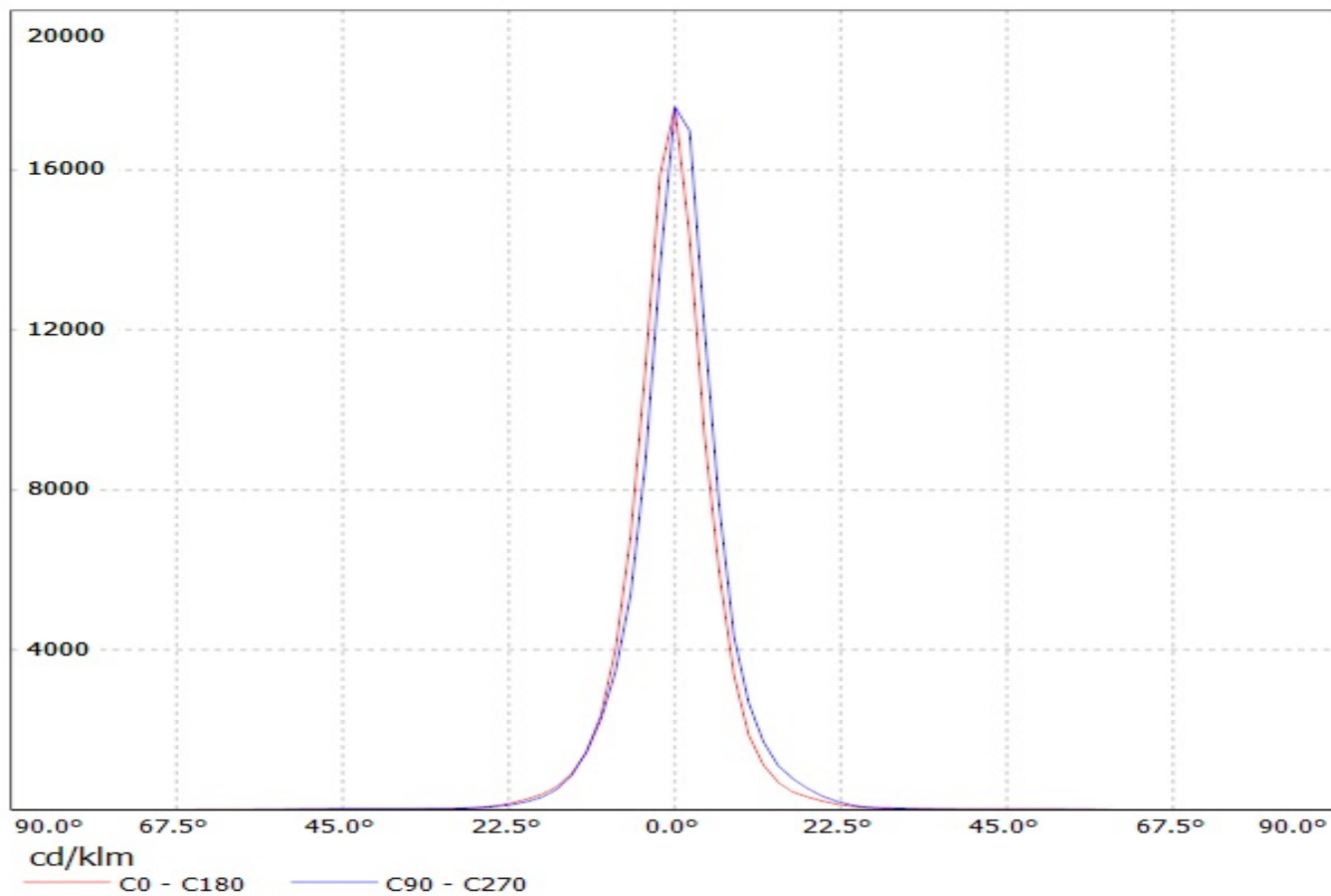
1

1

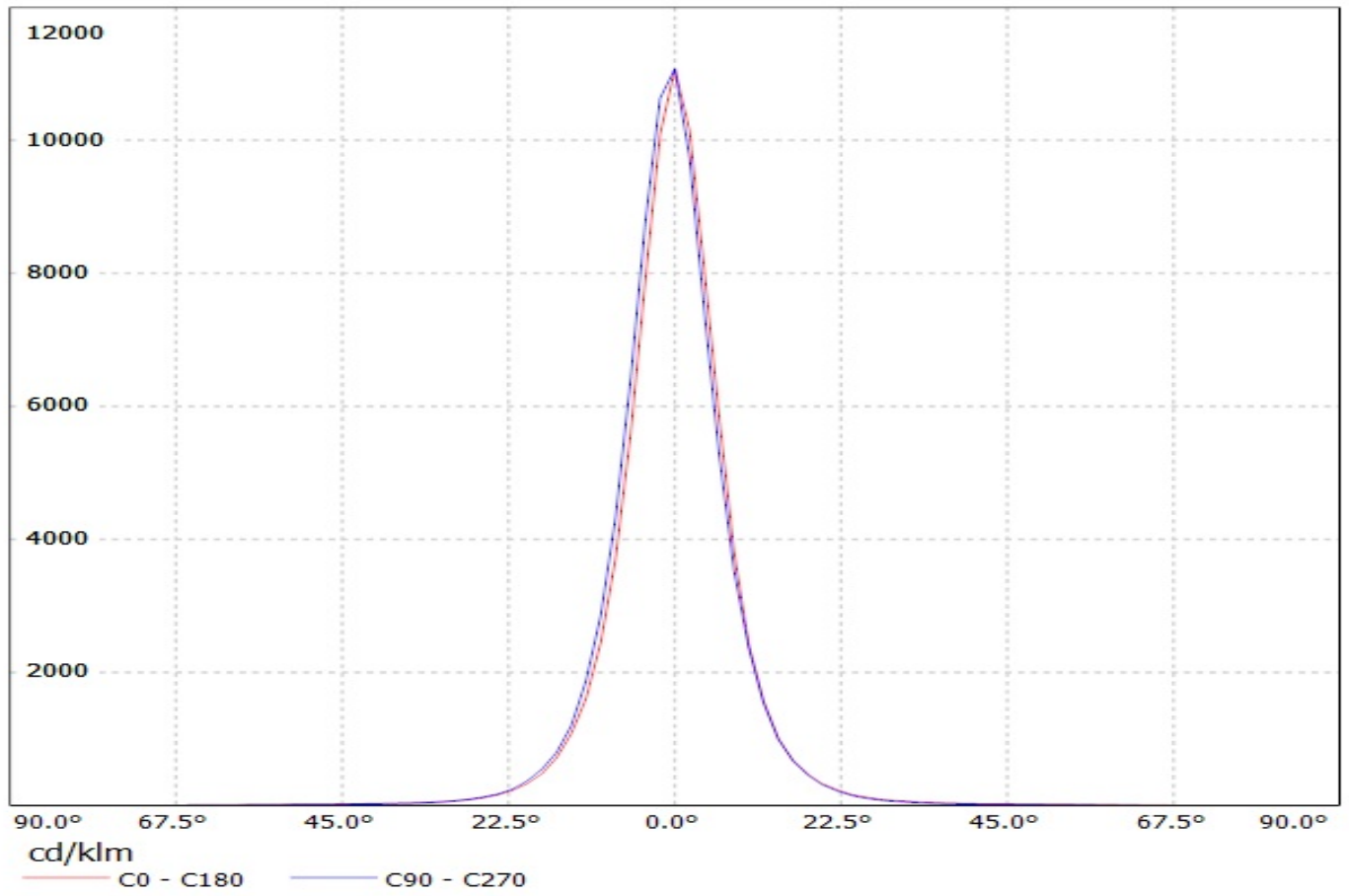
D

A

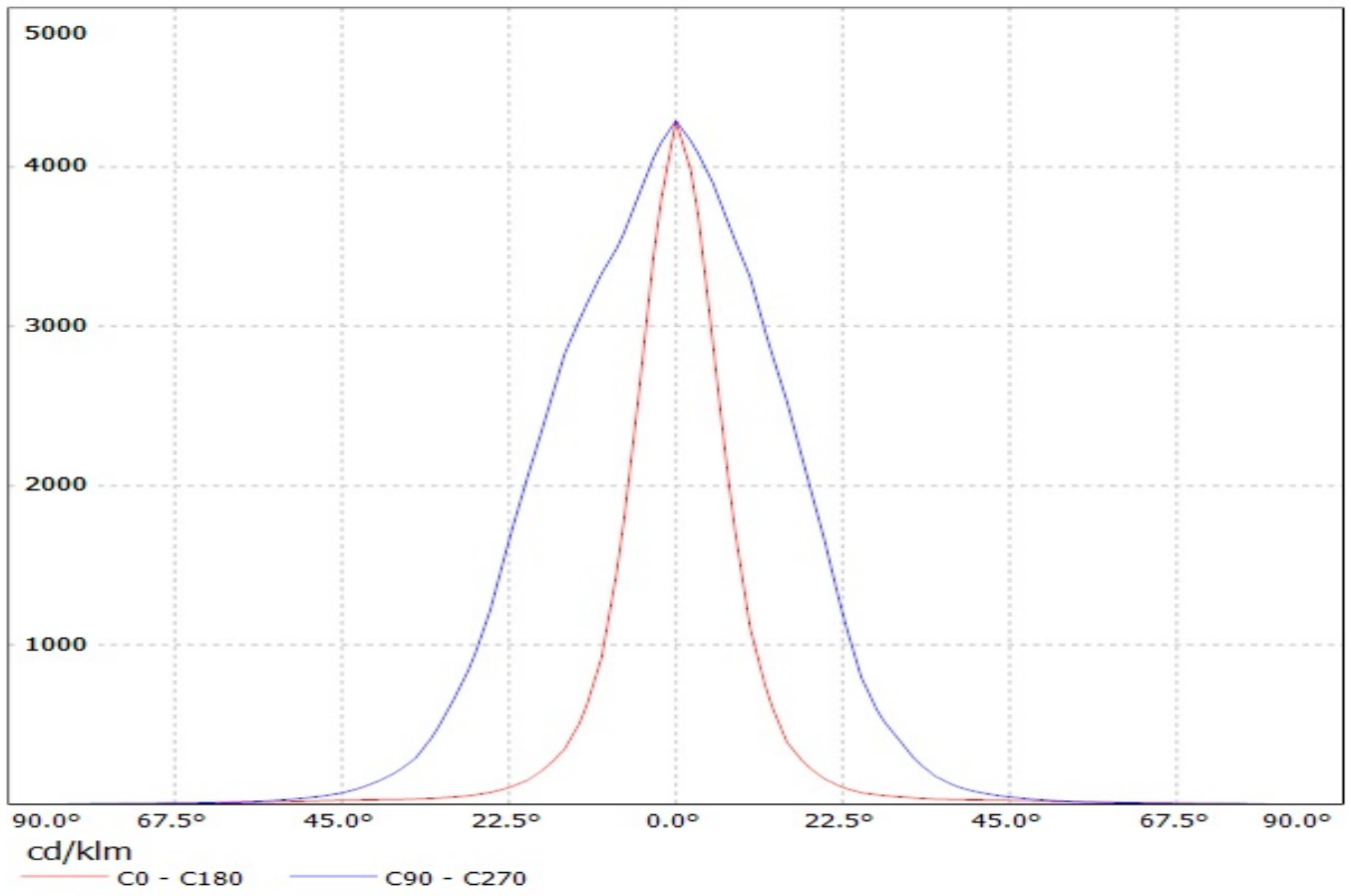
Luminaire: Ledil Oy CA11929\_LR2-RS (Osram Square EC 63lm @ 250mA) Efficiency=92%  
Lamps: 1 x Osram Square EC 63lm @ 250mA



Luminaire: Ledil Oy CA11930\_LR2-D (Osram Square EC 63lm @ 250mA) Efficiency=91%  
Lamps: 1 x Osram Square EC 63lm @ 250mA

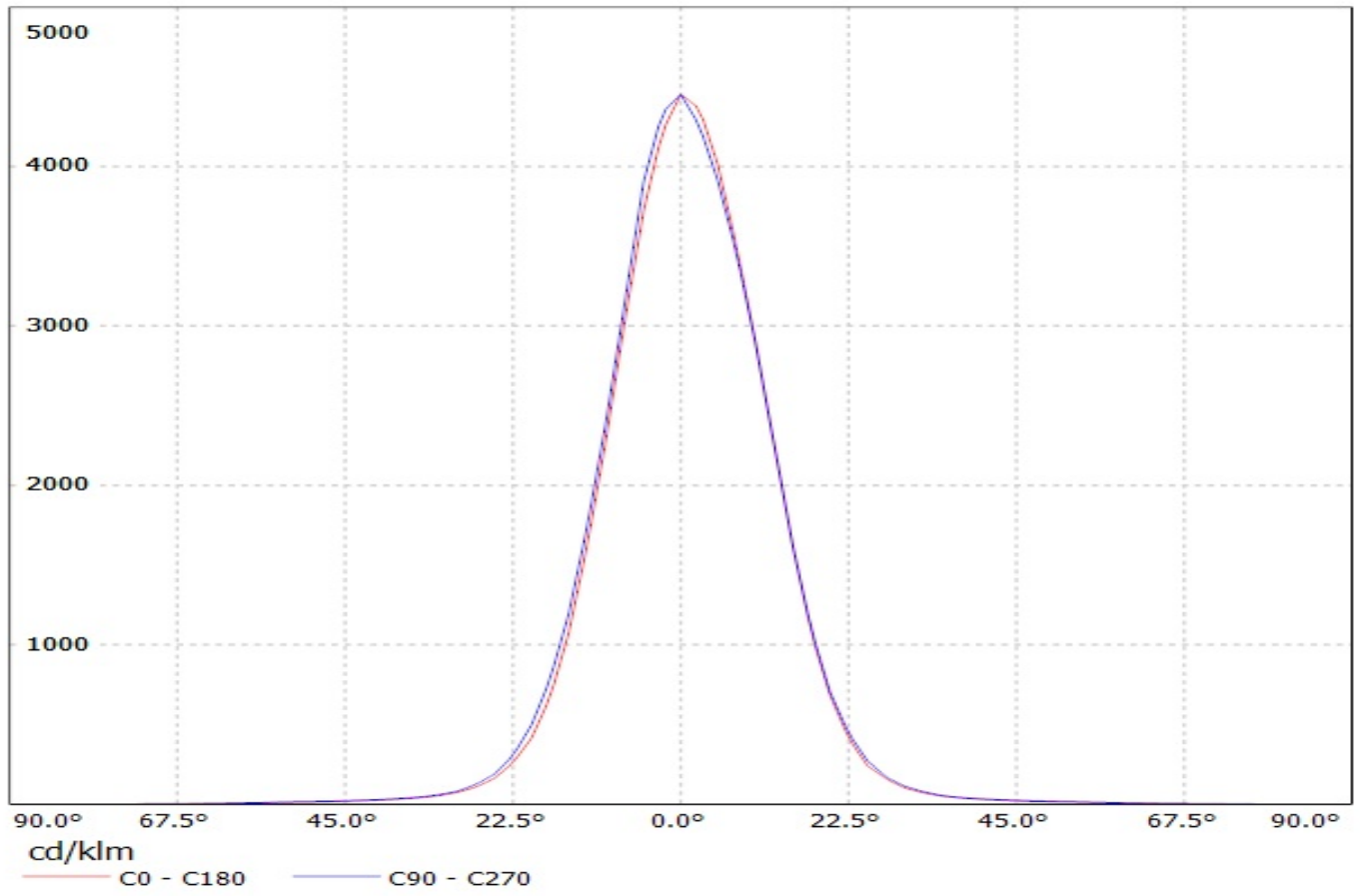


Luminaire: Ledil Oy CA12629\_LR2-O-90 (OSram Square EC 63lm @250mA) Efficiency=88%  
Lamps: 1 x OSram Square EC 63lm @250mA

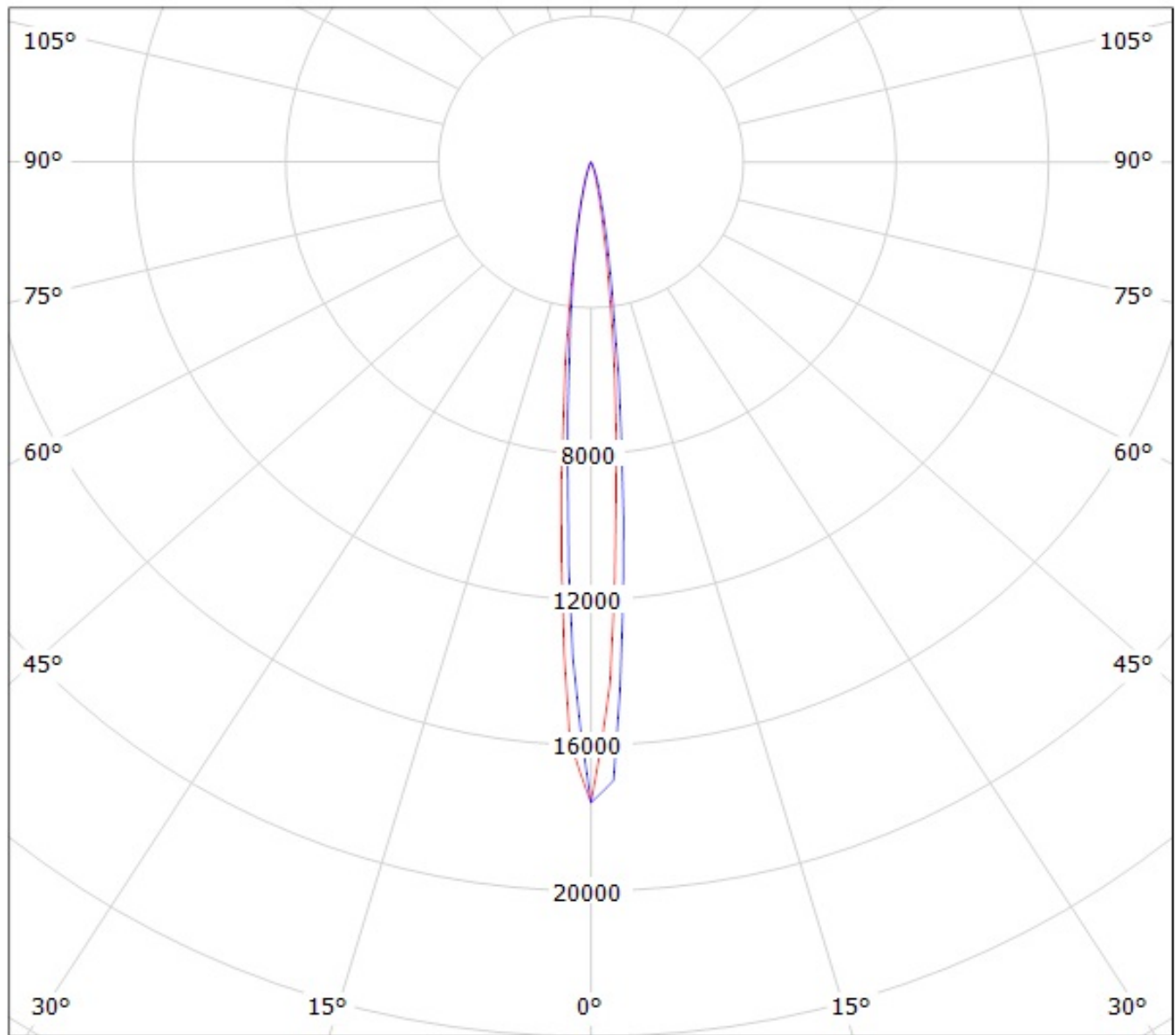




Luminaire: Ledil Oy CA11931\_LR2-M (OSram Square EC 63lm @ 250mA) Efficiency=90%  
Lamps: 1 x OSram Square EC 63lm @ 250mA



Luminaire: Ledil Oy CA11929\_LR2-RS (Osram Square EC 63lm @ 250mA) Efficiency=92%  
Lamps: 1 x Osram Square EC 63lm @ 250mA

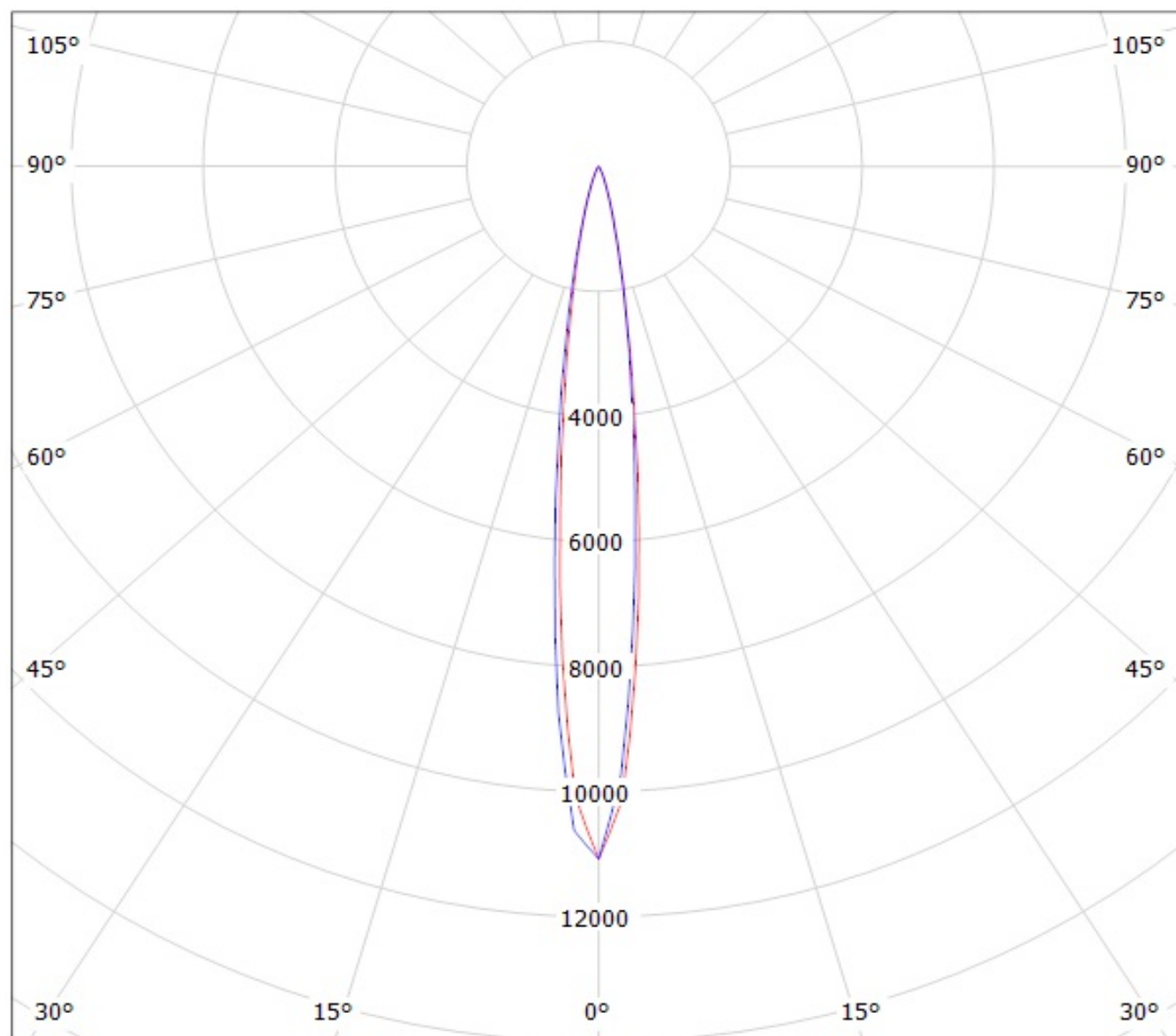


cd/klm

— C0 - C180

— C90 - C270

Luminaire: Ledil Oy CA11930\_LR2-D (Osram Square EC 63lm @ 250mA) Efficiency=91%  
Lamps: 1 x Osram Square EC 63lm @ 250mA

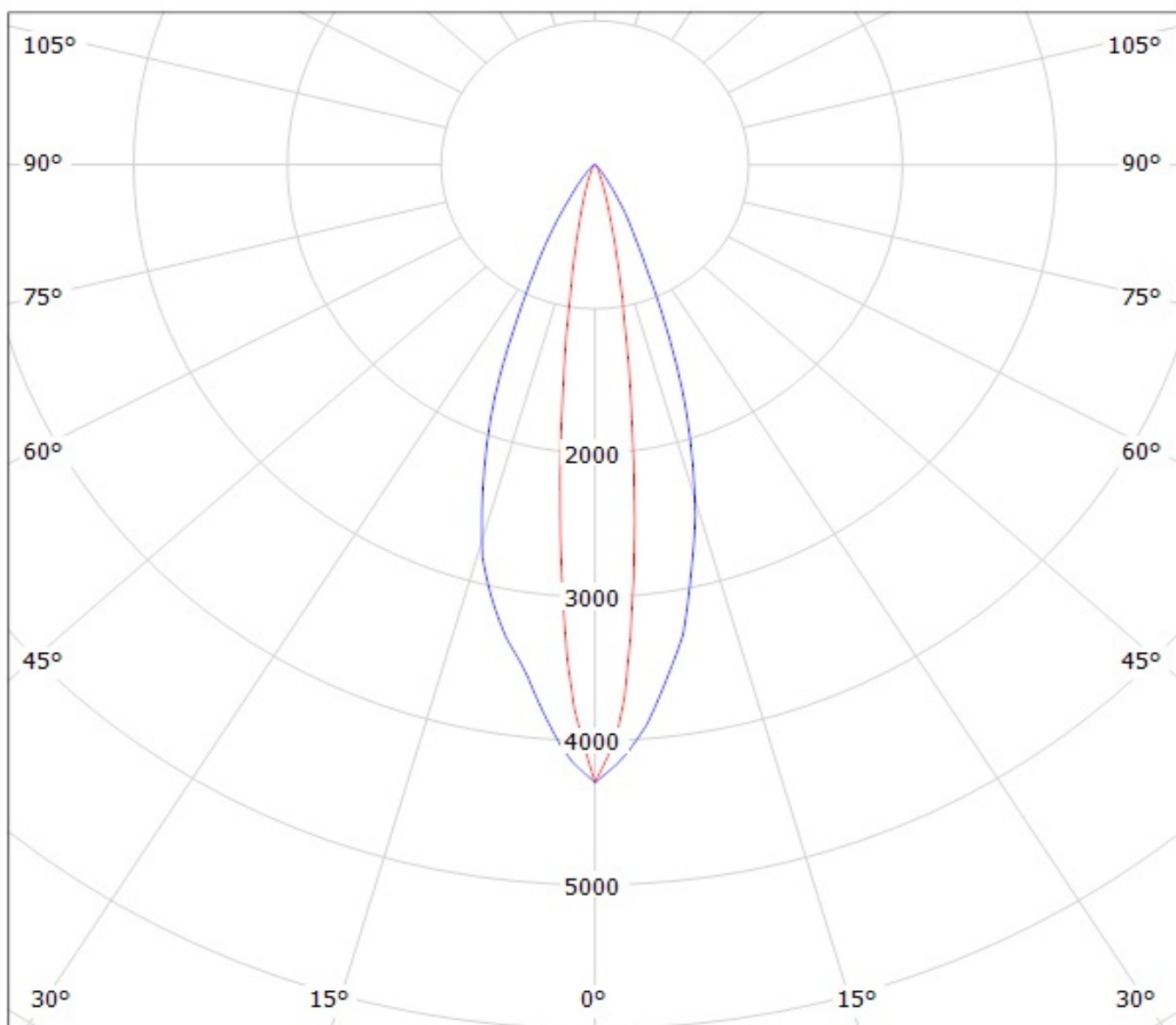


cd/klm

— C0 - C180

— C90 - C270

Luminaire: Ledil Oy CA12629\_LR2-O-90 (OSram Square EC 63lm @250mA) Efficiency=88%  
Lamps: 1 x OSram Square EC 63lm @250mA

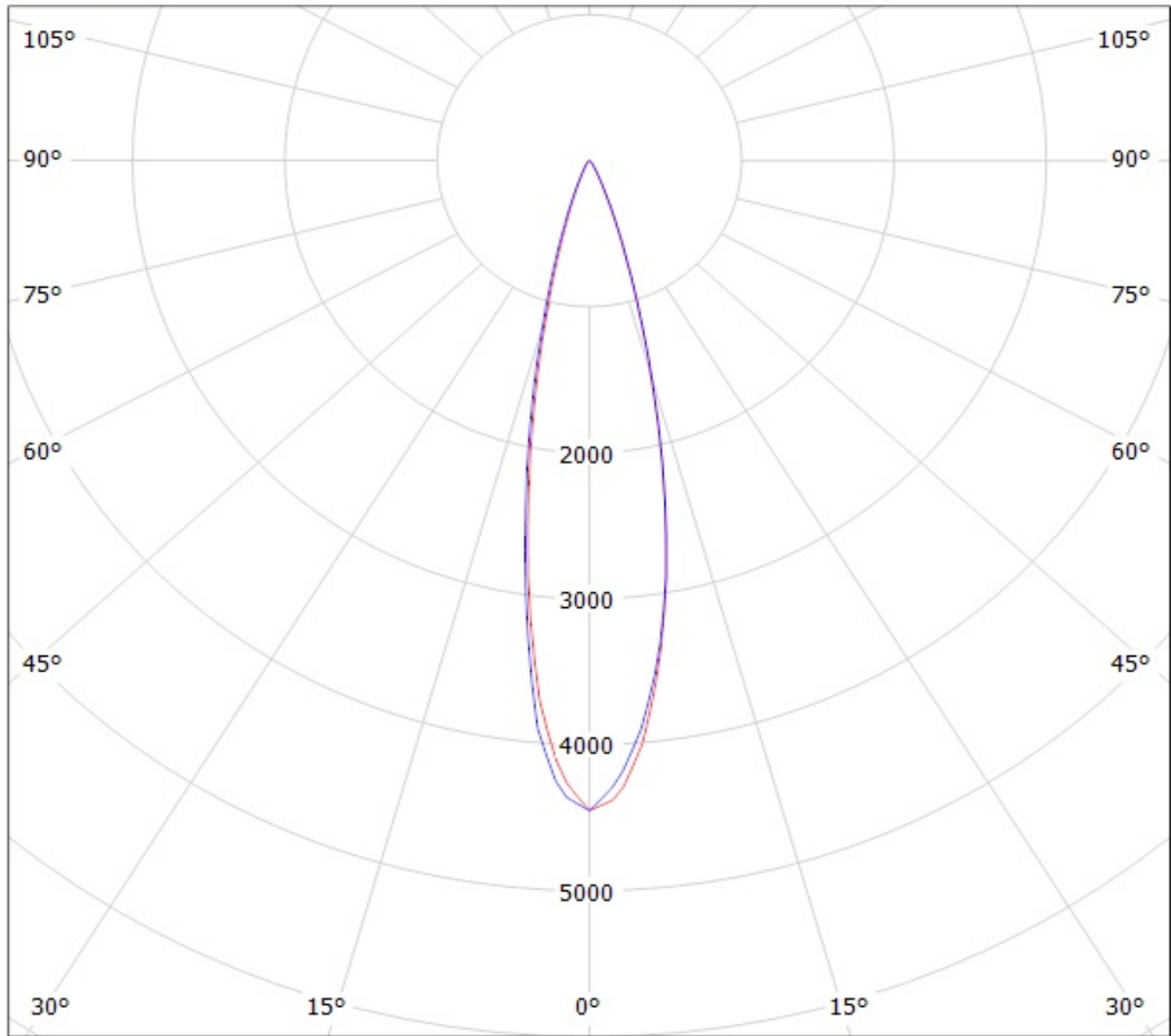


cd/klm

— C0 - C180

— C90 - C270

Luminaire: Ledil Oy CA11931\_LR2-M (OSram Square EC 63lm @ 250mA) Efficiency=90%  
Lamps: 1 x OSram Square EC 63lm @ 250mA



cd/klm

— C0 - C180

— C90 - C270