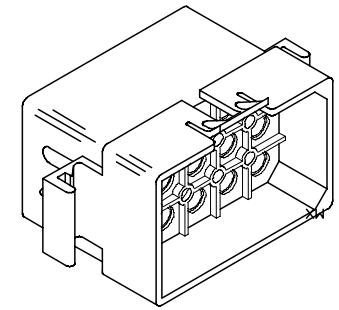
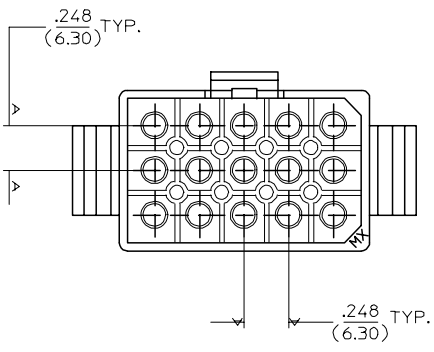
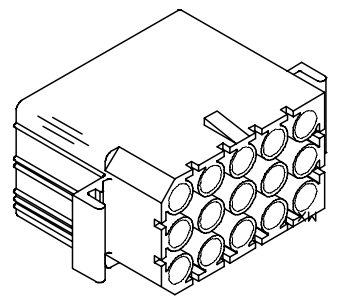
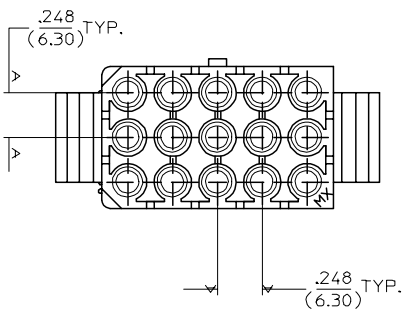
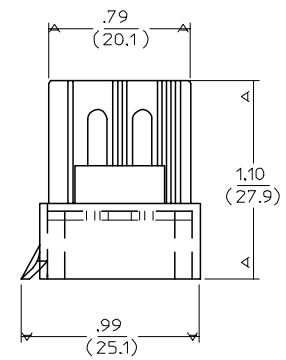
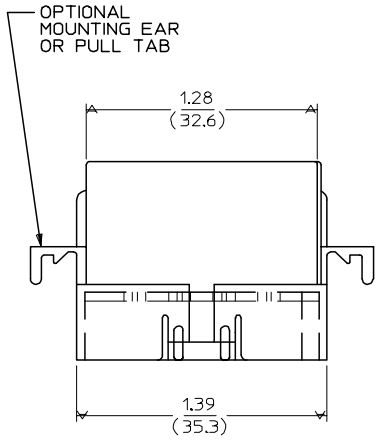
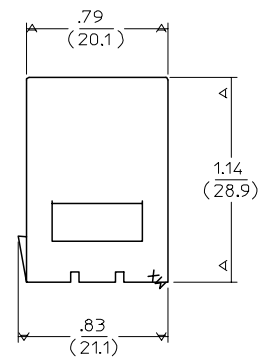
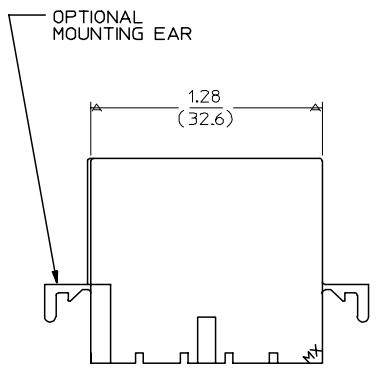
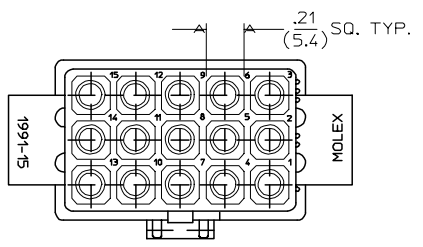
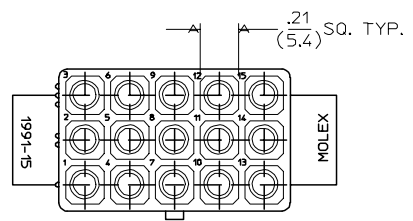


13 12 11 10 9 8 7 6 5 4 3 2 1

RECEPTACLE

PLUG



2	I
1	I
SHT. REV.	

UPDATE TITLE BLOCK FC NO: UCP2007-1498 DRW: AELHAG 2007/04/04 CHKD: AELHAG 2007/04/04 APPR: FSM TH 2007/04/04 REV. DESCRIPTION	QUALITY SYMBOLS	GENERAL TOLERANCES (UNLESS SPECIFIED)	DIMENSION STYLE	SCALE	DESIGN UNITS	THIRD ANGLE PROJECTION
	▽=0 ▽=0	mm INCH 4 PLACES ± --- ± --- 3 PLACES ± --- ± .010 2 PLACES ± 0.25 ± .014 1 PLACE ± 0.35 ± --- ANGULAR ±1/2°	IN/MM DRAWN BY DATE KBW 1989/04/25 CHECKED BY DATE RW 1989/04/25 APPROVED BY DATE RAS 1989/04/25 MATERIAL NO. DOCUMENT NO.	2:1	INCH	THIRD ANGLE PROJECTION
	DRAFT WHERE APPLICABLE MUST REMAIN WITHIN DIMENSIONS	SEE CHART	.093/(2.36) HOUSINGS, PLUG AND RECEPTACLE, 15 CKT .248/(6.30) CTRS.	MOLEX MOLEX INCORPORATED	SHEET NO. 1 OF 2	
	THIS DRAWING CONTAINS INFORMATION THAT IS PROPRIETARY TO MOLEX INCORPORATED AND SHOULD NOT BE USED WITHOUT WRITTEN PERMISSION	SD-1991-15*	MOLEX INCORPORATED	SHEET NO. 1 OF 2		

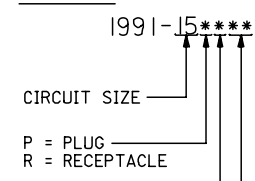
12 11 10 9 8 7 6 5 4 3 2 1

13 12 11 10 9 8 7 6 5 4 3 2 1

PLUG		
ORDER NO	ENG NO	PKG. INFORMATION
19-09-2151	1991-15P	PK-1991-002
19-09-2153	1991-15P2	PK-1991-002
19-09-7151	1991-15PBK	PK-1991-001
-	-	-
-	-	-

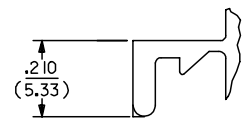
RECEPTACLE		
ORDER NO	ENG NO	PKG. INFORMATION
19-09-1151	1991-15R2	PK-1991-002
19-09-1152	1991-15R1	PK-1991-002
19-09-6151	1991-15R2BK	PK-1991-001
19-09-6152	1991-15R1BK	PK-1991-001
-	-	-
-	-	-

LEGEND:

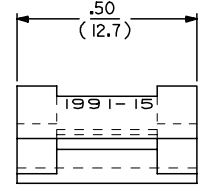
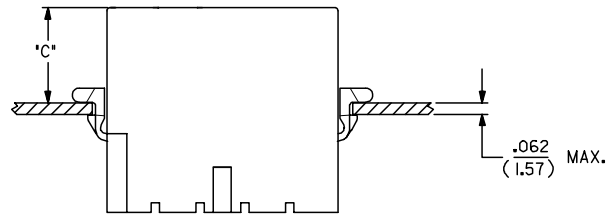


BLANK = WITH PULL TABS
 1 = WITHOUT EARS/WITHOUT PULL TABS
 2 = WITH STANDARD EARS
 3 = WITH PREBENT EARS

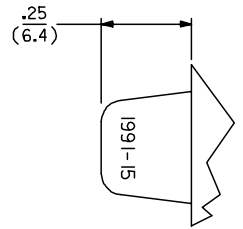
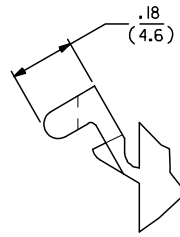
COLOR:
 BLANK = NATURAL COLOR
 AM = AMBER BK = BLACK BU = BLUE
 BN = BROWN GY = GRAY GN = GREEN
 OR = ORANGE RD = RED YW = YELLOW



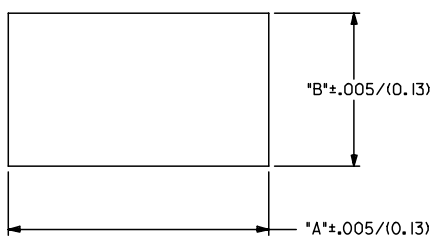
DETAIL A
STANDARD MOUNTING EAR
(SCALE 4:1)



DETAIL B
PREBENT MOUNTING EAR
(SCALE 4:1)



DETAIL C
PULL TAB
(SCALE 4:1)



RECOMMENDED PANEL OPENING

HOUSING	DIM. "A"	DIM. "B"	"C" PREBENT EAR	"C" STANDARD EAR
PLUG	1.552/(39.42)	.910/(23.11)	.31/(7.9)	.30/(7.6)
RECEPT.	1.442/(36.63)	.850/(21.60)	.54/(13.7)	.53/(13.5)

NOTES:

- MATERIAL: NYLON TYPE 6/6, 94V-2.
- FINISH: N/A
- PRODUCT SPECIFICATION: PS-02-09
- PACKAGING SPECIFICATION: SEE CHART
- HOUSINGS FOR USE WITH MOLEX STANDARD .093/(2.36) TYPE TERMINALS
- PARTS CONFORM TO CLASS B REQUIREMENTS OF COSMETIC SPECIFICATION PS-45499-002.

ADD NOTES 2,4 & 6 EC NO: UCP2007-1498 DRW: AELHAG 2007/04/04 CHKD: AELHAG 2007/04/04 APPR: FSM TH 2007/04/04 REVISIONS DESCRIPTION	QUALITY SYMBOLS	GENERAL TOLERANCES (UNLESS SPECIFIED)	DIMENSION STYLE	SCALE	DESIGN UNITS	THIRD ANGLE PROJECTION
	$\nabla=0$ $\nabla=0$	mm INCH 4 PLACES ± --- ± --- 3 PLACES ± --- ±.010 2 PLACES ± 0.25 ±.014 1 PLACE ± 0.35 ± --- ANGULAR ±1/2°	IN/MM	2:1	INCH	
			DRAWN BY DATE	TITLE	.093/(2.36) HOUSINGS, PLUG AND RECEPTACLE 15 CKT .248/(6.30) CTRS.	
			CHECKED BY DATE		MOLEX MOLEX INCORPORATED	
		APPROVED BY DATE		SD-1991-15*		
		MATERIAL NO.	SEE CHART	DOCUMENT NO.	SHEET NO. 2 OF 2	
		DRAFT WHERE APPLICABLE MUST REMAIN WITHIN DIMENSIONS	THIS DRAWING CONTAINS INFORMATION THAT IS PROPRIETARY TO MOLEX INCORPORATED AND SHOULD NOT BE USED WITHOUT WRITTEN PERMISSION			

12 11 10 9 8 7 6 5 4 3 2 1