

LOC	DIST	REVISIONS					
E	B	P	LTR	DESCRIPTION	DATE	DWN	APVD
		C		ECR-06-001518	26JAN06	JMS	FWK

NOTES:

- ① PACK IN ACCORDANCE WITH AMP SPEC 107-3275
- ② 100 TRAY PACK IN ACCORDANCE WITH AMP SPEC 107-3275
- ③ Au PLATING
- ④ Ni PLATING
- ⑤ THIS ITEM MUST BE WHITE

6 ELECTRICAL CHARACTERISTICS

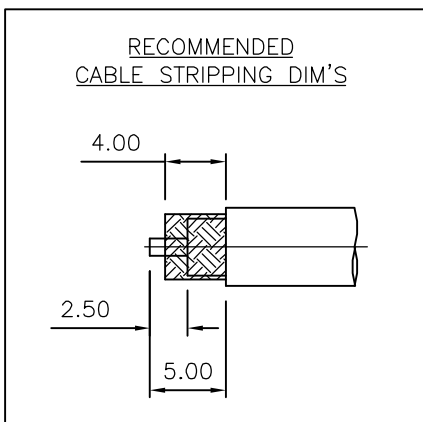
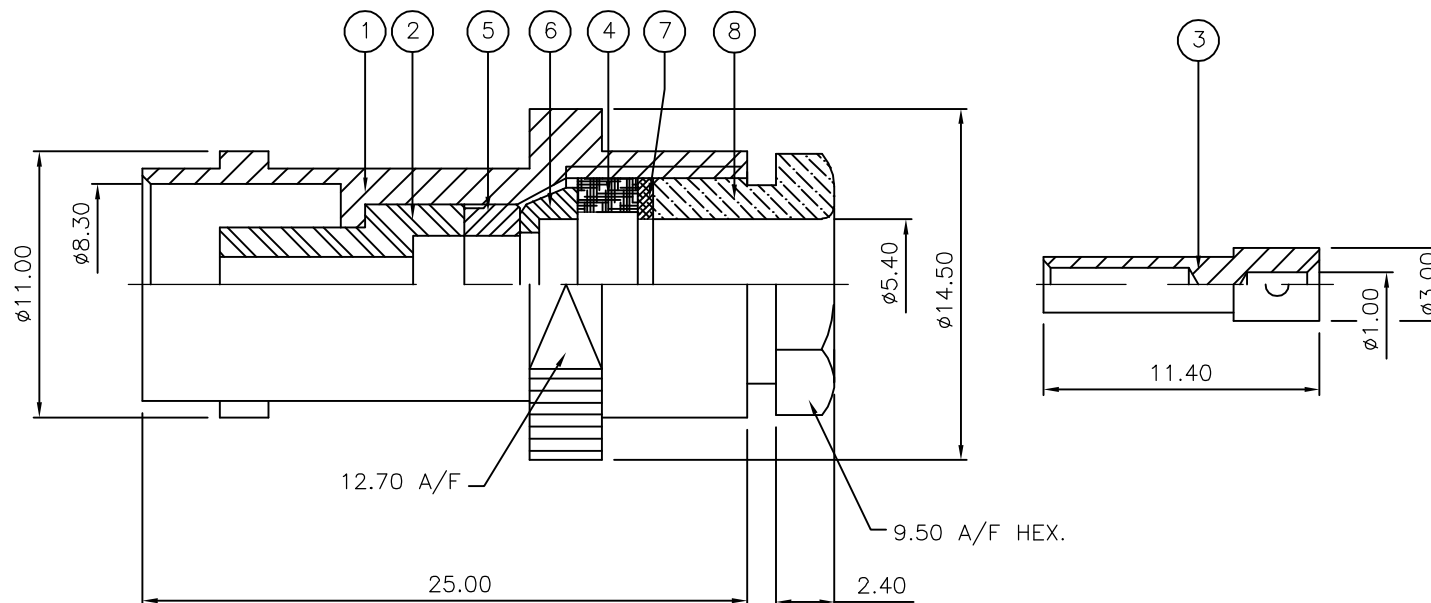
FREQUENCY RANGE:	DC - 4 GHz
NOMINAL IMPEDANCE:	50 Ohm
INSULATION RESISTANCE:	5000 MOhm
WORKING VOLTAGE:	500 Volts RMS at Sea Level
DIELECTRIC WITHSTAND VOLTAGE:	1500 Volts RMS Max
CONTACT RESISTANCE:	
CENTRE CONTACT:	1.50 mOhm Max
OUTER CONTACT:	0.20 mOhm Max
VSWR @ 4GHz:	1.30:1 Max
INSERTION LOSS dB @ x 3 GHz:	0.20 Max

7 MECHANICAL CHARACTERISTICS

COUPLING NUT RETENTION FORCE:	N/A
CABLE RETENTION FORCE:	170N Min
CLAMP NUT RECOMMENDED TORQUE:	4N
DURABILITY:	500 Cycles Min

8 ENVIRONMENTAL CHARACTERISTICS

OPERATING TEMPERATURE:	-65 to +165 DegC
------------------------	------------------



QTY	QTY PER ASSY	QTY PER ASSY	MATERIAL	DESCRIPTION	ITEM
1	1		BRASS	CLAMP NUT	8
1	1		BRASS	WASHER	7
1	1		BRASS	BUSH	6
1	1		BRASS	SLEEVE	5
1	1		SILICONE RUBBER	GASKET	4
1	1		BRASS	CONTACT	3
1	1		PTFE	INSULATION	2
1	1		BRASS	BODY	1
6--0	1--0		MATERIAL	DESCRIPTION	ITEM

THIS DRAWING IS A CONTROLLED DOCUMENT.		DWN J.SANDWELL 26JAN06	Tyco Electronics Corporation Bideford EX39 4HE	
DIMENSIONS: mm		CHK S.PARLOW 26JAN06		
TOLERANCES UNLESS OTHERWISE SPECIFIED:		APVD F.WHEELER-KING 26JAN06	NAME BNC STRAIGHT JACK MIL-CLAMP 50 OHM RG58C/U, 141A/U, URM43, 76, BELDEN 9907, KX15	
0 PLC ± -		PRODUCT SPEC	APPLICATION SPEC	
1 PLC ± -		411-3232		
2 PLC ± -		WEIGHT -		
3 PLC ± -		SIZE A3 CAGE CODE 00779 DRAWING NO C-1337536 RESTRICTED TO -		
4 PLC ± -		CUSTOMER DRAWING		
ANGLES ± -		SCALE NTS SHEET 1 OF 1 REV C		
FINISH -				
MATERIAL SEE TABLE				