

FEATURES AND SPECIFICATIONS

Features and Benefits

- Avoids tangling at pre-assembly
- Available with cat ears

Reference Information

Product Specification: PS-10-07
 Packaging: Reel or bag
 Tooling Information: See crimp tooling section
 UL File No.: E29179
 CSA File No.: LR19980
 Mates With: 5051-NM and 6471 housings
 Designed In: Inches

Electrical

Voltage: 250V
 Current: 2.5A
 Contact Resistance: 20mΩ max.
 Dielectric Withstanding Voltage: 1500V
 Insulation Resistance: 500K MΩ min.

Mechanical

Contact Insertion Force: 681g max.
 Contact Retention to Housing: 27.21g min.
 Wire Pull-Out Force: 3 lb min.
 Mating Force: 199g max.
 Unmating Force: 57g min.
 Normal Force: 300g
 Durability: 50 cycles Gold and 25 cycles Tin

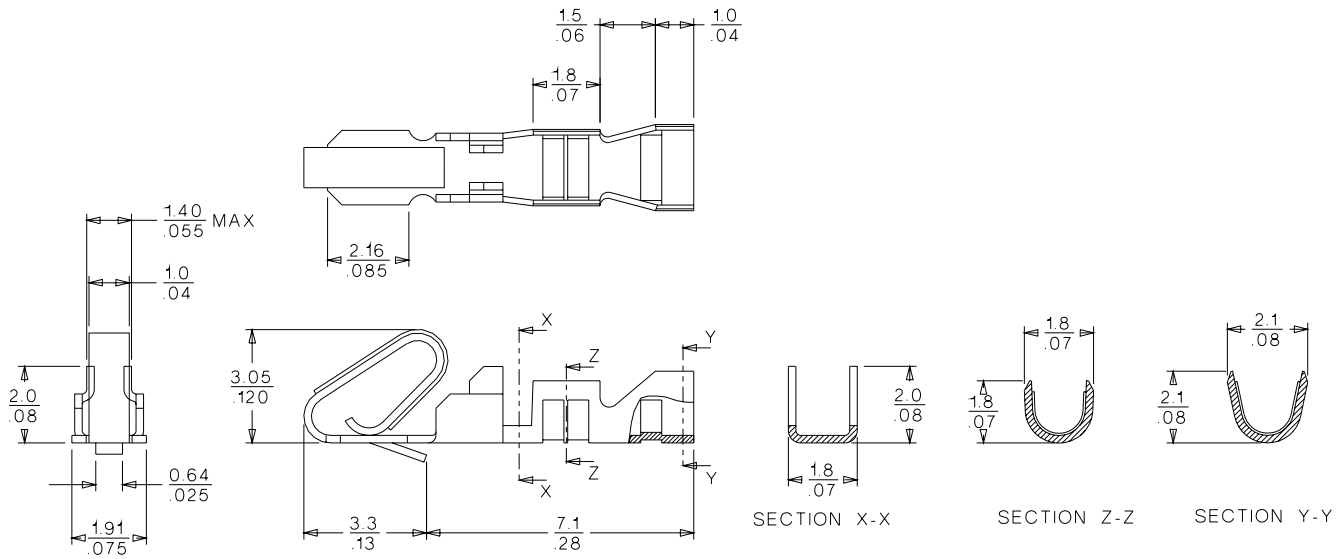
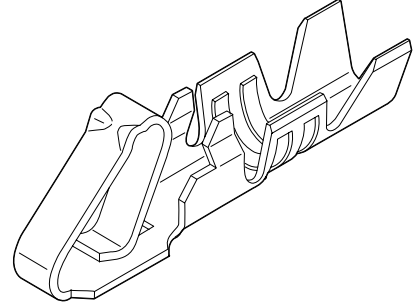
Physical

Contact: Brass
 Plating: Gold, select Gold and Tin/Lead
 Temperature: Storage— -40 to +105°C
 Operating— 0 to +75°C
 Wire Accommodation: 22 to 30 AWG

molex® 2.54mm (.100") Pitch KK® Crimp Terminal

4809

Anti-Fishhooking



ORDERING INFORMATION

Order No.		Plating	Crimp Wire Size	Insulation Diameter	Engineering No.
Bag	Reel				
08-50-0032	08-50-0031	1.00 to 2.50μm Tin/Lead	22-30	1.57 (.062) max.	4809
08-55-0111	08-55-0110	0.38μm Gold in contact area only			
08-56-0115	08-56-0120	0.38μm Gold in contact area, Gold flash overall			