

- 477-309 4/4 plug (flat cable)
- 442-707 6/4 plug (round cable)
- 477-315 6/6 plug (flat cable)
- 437-193 6/6 plug (round cable)
- 485-899 6/6 mmj plug (flat cable)
- 437-200 6/6 mmj plug (round cable)
- 477-321 8/8 plug (round cable)
- 437-216 8/8 plug keyed (round cable)
- 437-222 10/10 plug (round cable)

FEATURES

- FCC compliant.
- Listed by Underwriters Laboratories Inc., File E132408(N)-DUXR2.
- Certified by Canadian Standards Association, File 67725.
- Dual point contact terminates 24,26 & 28 AWG Stranded & Solid conductors.
- Electro-polished contacts assure 1000+ mating cycles.
- Positive jacket strain relief for enhanced pull strength.
- Available from 4 thru 10 conductor body styles.

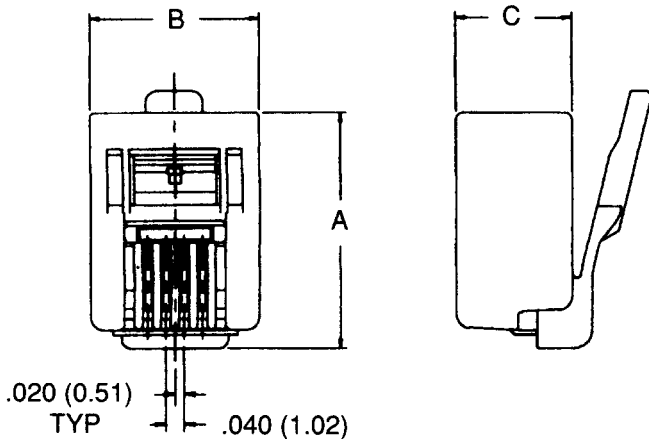
ELECTRICAL CHARACTERISTICS

- Current/Voltage Rating:**
1.5 Amps, 30VAC/42VDC.
- Dielectric Withstanding:**
1,000 Volts RMS, 1Min. (60Hz).
- Insulation Resistance:**
500 Megohm.

MATERIALS

- Housing:**
Polycarbonate UL 94 V-0.
- Contacts:**
Phosphor bronze.
- Plating:**
Standard plating is 50 microinch Gold over 100 microinch Ni.

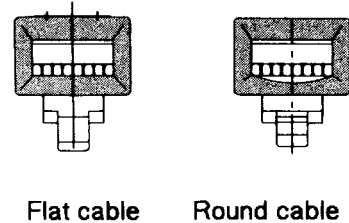
PLUG DIMENSIONS



Inches (mm)

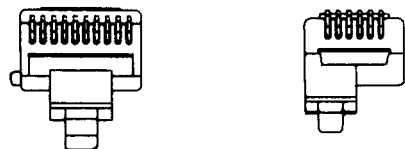
Max. Contacts	A DIM	B DIM	C DIM
04	.525 (13.34)	.300 (7.62)	.260 (6.60)
06	.525 (13.34)	.380 (9.65)	.260 (6.60)
08	.885 (22.48)	.460 (11.68)	.312 (7.92)
10	.885 (22.48)	.460 (11.68)	.312 (7.92)

Cable Opening



Flat cable Round cable

KEYING OPTIONS - Front View



K1-Key
437-216

(MMJ)
for 6 position only
485-899, 437-200