

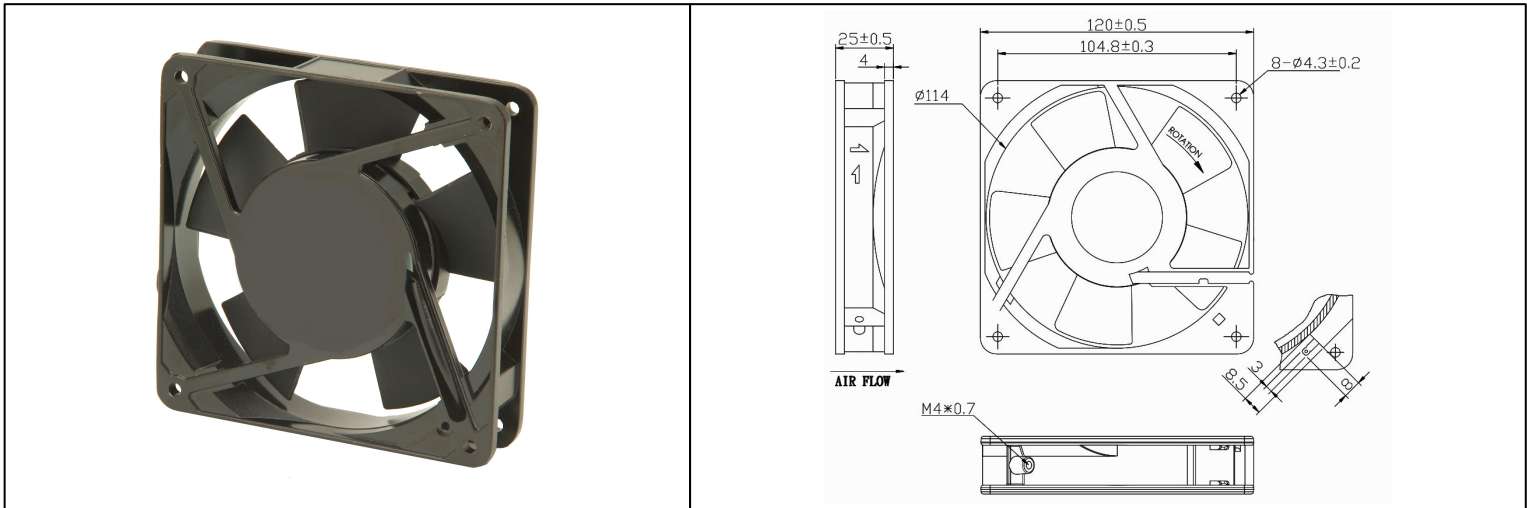


Datasheet

RS PRO DC FAN 120x25mm

Stock Number: 789-7882

EN



Frame	Die Cast Aluminum, Black	<u>Operating Temperature</u> -40°C ~ +70°C	
Impeller	PBT UL94 V-0 Plastic	<u>Storage Temperature</u> -40°C ~ +80°C	
Connection	Terminal	<u>Life Expectancy</u> 40,000 hours (L10 at 40°C)	
Motor	Shaded Pole, Impedance Protected, Class B	Weight: 0.33Kgs (0.72 lbs)	
Bearing System	Dual Ball Bearing		
Dielectric Strength	1500VAC/min < 1mA		
Insulation Resistance	>100M ohm between leadwire and frame (500VDC)		

Model Number	789-7882
Rated Voltage	230 VAC
Voltage Range	207~253 VAC
Rated Current	0.08 A @ 50Hz 0.07 A @ 60Hz
Rated Speed (RPM)	2400 @ 50Hz 2800 @ 60Hz
Airflow (CFM)	60 @ 50Hz 70 @ 60Hz
Noise Level (dB)	38 @ 50Hz 42 @ 60Hz
Max. Static Pressure	0.18" H ₂ O @ 50/60Hz

*Air flow PQ curve is for 60 Hz operation.