

MICRO SWITCH
a Honeywell Division

FED. MFG. CODE 91929

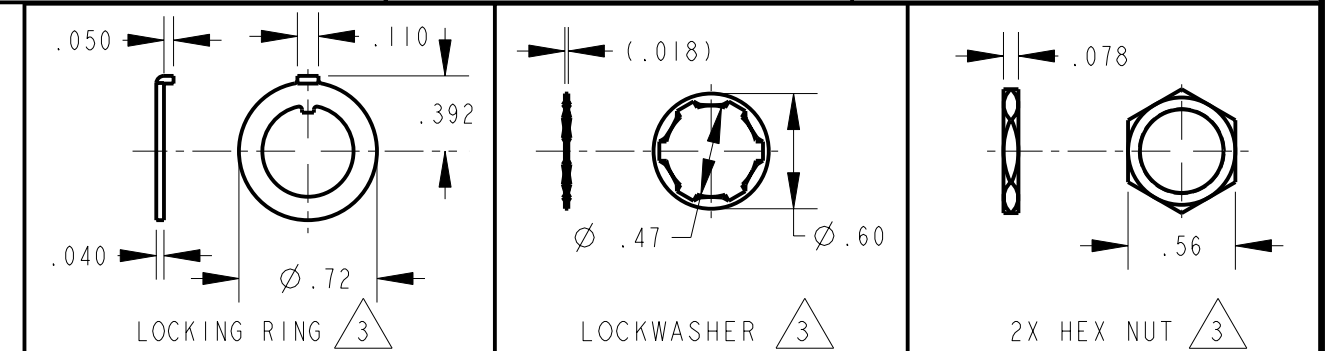
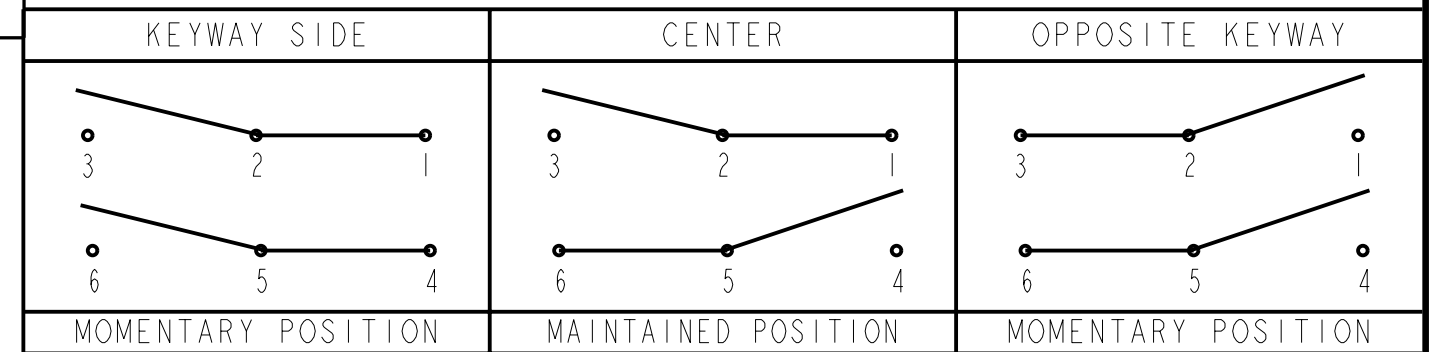
SWITCH - TOGGLE

CATALOG LISTING

2NT91-70

THIS DRAWING COVERS A PROPRIETARY ITEM AND IS THE PROPERTY OF MICRO SWITCH. A DIVISION OF HONEYWELL. THIS DRAWING IS NOT TO BE COPIED OR USED WITHOUT THE APPROVAL OF MICRO SWITCH

CIRCUIT MADE WITH TOGGLE LEVER IN

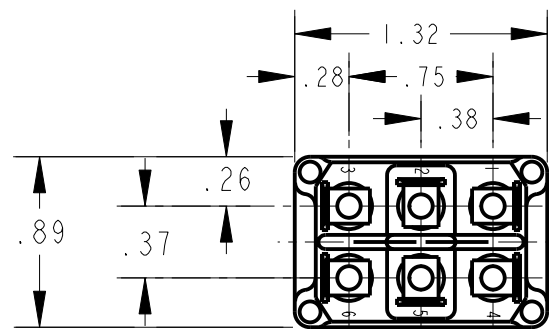
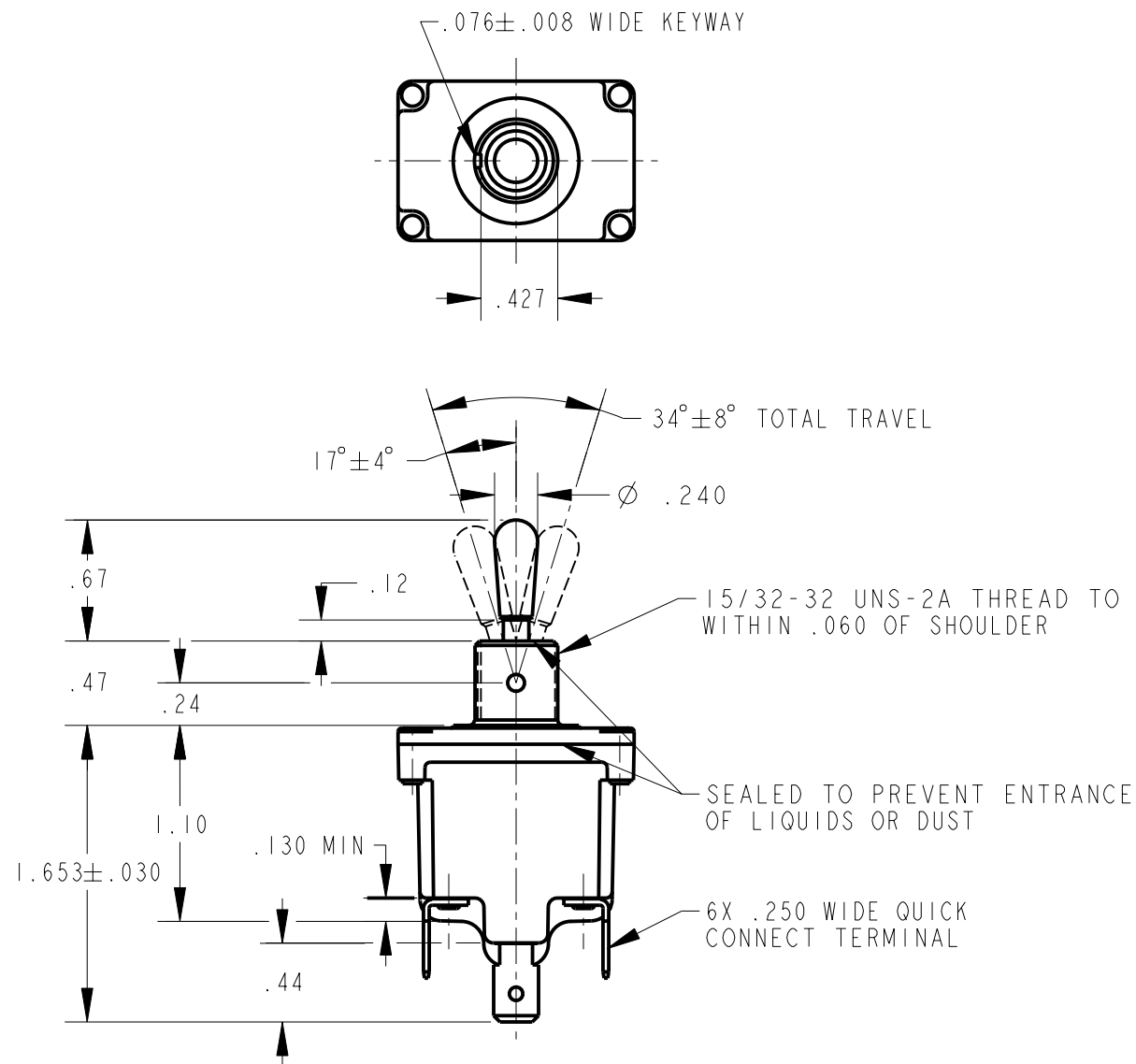


ELECTRICAL DATA

L192 10A 125, 250, 277 VAC
1/4HP 125 VAC,
1/2HP 250, 277 VAC
3A 125 VAC "L"



PTC/CAD 2D
 DRAWN TSM 20NOV99
 CHECK SAV 20NOV99
 CHECK 20NOV99
 REVISIONS
 A C094360 TSM 20NOV99
 ISSUE 3
 M
 CATALOG LISTING
 2NT91-70
 PAGE 1 OF 1
 RELEASE NO. PR-19577
 REPLACES



NOTES

- 1 - SWITCHES ARE CAPABLE OF WITHSTANDING A TEMPERATURE OF 160°F CONTINUOUSLY AT FULL RATED LOAD
- 2 - MICRO SWITCH CAT. LIST. MARKED ON SIDE OF SWITCH
- 3 - FURNISHED UNASSEMBLED

ANSI Y14.5M-1982 APPLIES

THIRD ANGLE PROJECTION	
SCALE	FULL
DO NOT SCALE PRINT	
UNLESS OTHERWISE SPECIFIED TOLERANCES ARE	
ONE PLACE	(.0) $\pm .030$
TWO PLACE	(.00) $\pm .015$
THREE PLACE	(.000) $\pm .005$
ANGLES	\pm
WEIGHT	.15 LBS APPROX