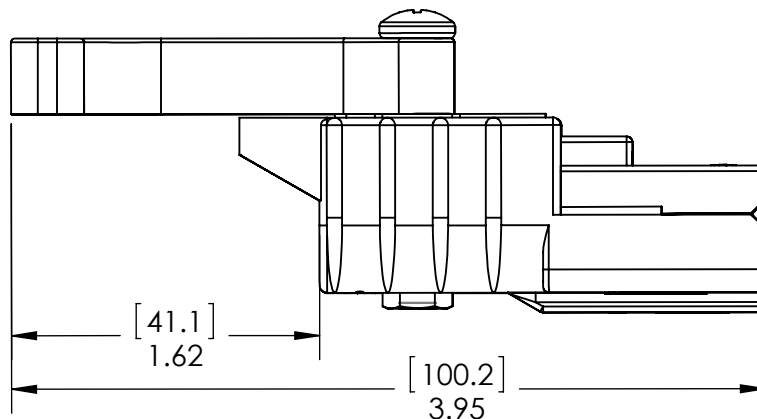
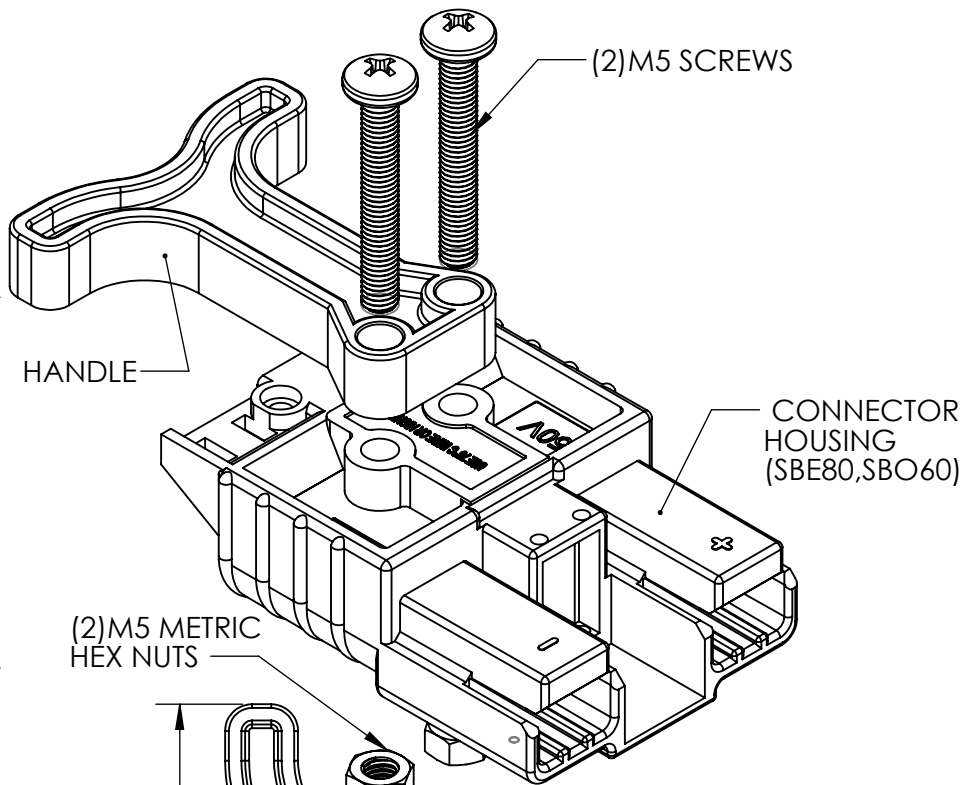


THE INFORMATION CONTAINED IN THIS DRAWING IS THE SOLE PROPERTY OF ANDERSON POWER PRODUCTS. ANY REPRODUCTION IN PART OR WHOLE WITHOUT THE WRITTEN PERMISSION OF ANDERSON POWER PRODUCTS IS PROHIBITED.

**Copyright 2012**

ANDERSON POWER PRODUCTS RESERVES THE RIGHT TO ALTER PRODUCT TYPES, THEIR TECHNICAL DATA, DIMENSION, STYLE AND ACCESSORIES WITHOUT PRIOR NOTIFICATION.

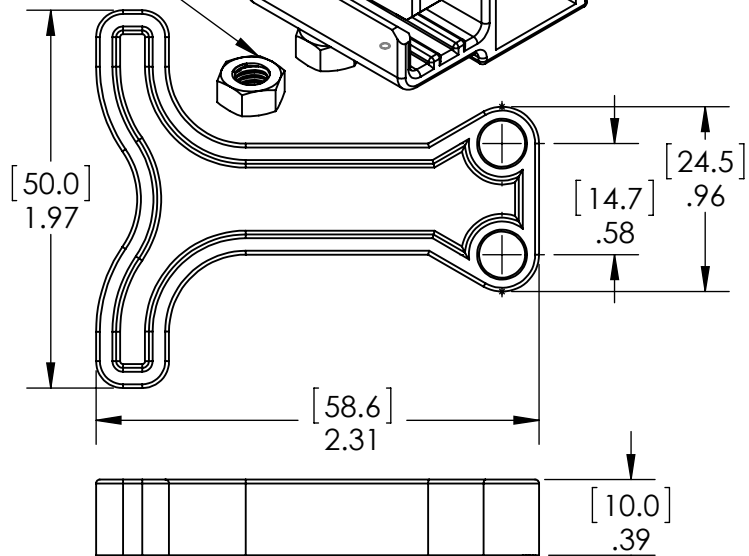


**SBE80 / SBO60 MOUNTING ORIENTATION**

CAT. NUMBER	COLOR
SBE80HDLRED	RED
SBO60HDLRED	RED

**NOTES:**

- CONNECTORS SOLD SEPARATELY
- SCREWS AND NUTS: STEEL, ZINC PLATED
- KIT INCLUDES HANDLE, 2SCREWS AND TWO NUTS



DIMENSIONS ARE IN:	INCH [MM]	<b>APPROVALS</b>		<b>ANDERSON POWER PRODUCTS</b>	
UNLESS OTHERWISE STATED		DRAWN	CMS 4/17/2001		<b>TITLE</b> PLASTIC HANDLE FOR USE WITH SBE80 / SBO60 CONNECTOR "V0"
TOLERANCES:		CHECKED	DJD 4/27/2001		
DECIMALS (INCH)	DECIMALS (MM)	ANGLES			
.XX ± .02	.X ± .5	±2°			
SURFACE FINISH:		MFG APPRV	CHB 4/27/2001		
MACHINED 128µin [3.2µ]		QC APPRV	RPO 4/23/2001		
MOLDED 64µin [1.6µ]		ENG APPRV	CHB 4/27/2001		
MATERIAL:		SIZE	A	DWG NO.	
PBT		SCALE	NONE	114305S1	
FINISH:		CADFILE	01421	REV.	
N/A		SHEET	1 OF 1		
3rd ANGLE PROJECTION		-CAD GENERATED DRAWING- DO NOT MANUALLY UPDATE DO NOT SCALE			

1	ECRN-150103	TWE	9/10/2010
REV.	DESCRIPTION	APPRV	DATE
REVISIONS			