



- Small polyglas enclosure with hidden external hinge for MCR technology
- Standard version or with window

Technical data

Material:

glass fibre reinforced duroplastic polyester

Colour:

RAL 7038, agate grey
special colour on request

Ingress protection:

IP 66 to EN 60529

Impact resistance:

7 Joule to EN 60079-0

Flammability:

V0 / self-extinguishing, UL 94

Insulation:

fully insulated to VDE 0100

Disruptive strength:

18 KV/mm, IEC 60243-1

Toxicity:

halogen-free

Surface resistance:

>10¹² Ohm, IEC 60093

Door opening angle:

120°

Temperature range:

-40°C to +100°C
window version: -40°C to +80°C

Included in delivery

Enclosure consisting of base and door;
please order door lock separately, press-in
inserts in base for internal mounting

Mini-Polyglas

Programme range

Mini-Polyglas	Dimensions (mm) W x L x H	Mini-Polyglas	Mini-Polyglas with window	Mounting plate (sheet steel, detached)
Size 1	120 x 200 x 100	21.12 20 00	22.12 20 00	10.01 12 07
Size 2	160 x 260 x 100	21.16 26 00	22.16 26 00	10.01 12 08
Size 3	160 x 340 x 100	21.16 34 00	22.16 34 00	10.01 12 09
Size 4	200 x 150 x 100	21.20 15 00	22.20 15 00	10.01 12 10
Size 5	200 x 200 x 170	21.20 20 00	22.20 20 00	10.01 12 01
Size 6	200 x 300 x 170	21.20 30 00	22.20 30 00	10.01 12 02

Note: Enclosure supplied without closing screws, order separately.

Optional closing screws (detached)

Triangular screw 8 mm (2 pcs.)	21.63 00 03
Square screw 8 mm (2 pcs.)	21.63 00 04
Square screw 6 mm (2 pcs.)	21.63 00 24
Philips screw (2 pcs.)	21.63 00 05

Accessories (loose)

External mounting brackets (4 pcs.)	10.03 10 08
Socket spanner, triangular 8 mm	10.04 70 03
Socket spanner, square 8 mm	10.04 70 04
Philips socket spanner	10.04 70 05

Accessories



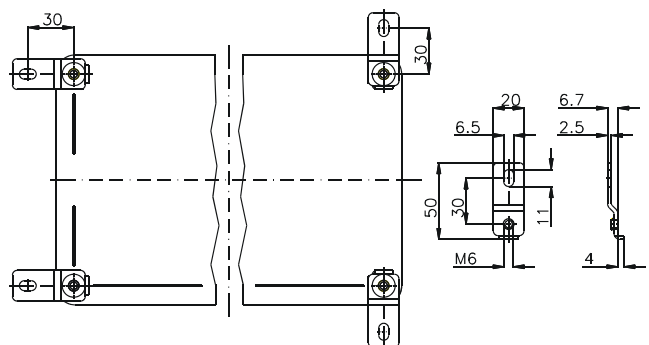
Mounting plates

Order No.	for type	A	B	C	D	E	F	G
10.01 12 07	21.12 20	169	107	-	95	157	58	70
10.01 12 08	21.16 26	229	147	-	135	217	98	110
10.01 12 09	21.16 34	309	147	-	135	297	98	110
10.01 12 10	21.20 15	118.5	187	88	175	-	-	150
10.01 12 01	21.20 20	165.5	182	135	170	-	-	138
10.01 12 02	21.20 30	265.5	182	235	170	-	-	138



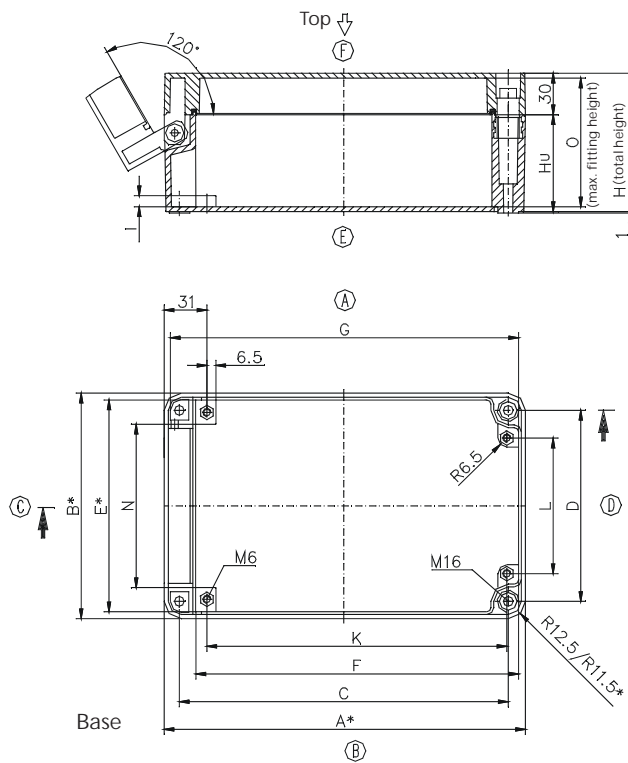
External mounting brackets set = 4 pcs.

Order No. 10.03 10 08



Dimensions

Type	A	B	C	D	E	F	G	I	K	L	M	N	H _U	H _{Ges}
21.12 20	201.5/155*	123/120.5*	178	98	113/111*	173.5	190	7	157	58	95	78	70	100
21.16 26	261.5/259*	163/160.5*	238	138	153/151*	233.5	250	8	217	98	118	118	70	100
21.16 34	341.5/339*	163/160.5*	318	138	153/151*	313.5	330	7.5	297	98	118	118	70	100
21.20 15	151.5/149*	203/200.5*	128	178	193/191*	123.5	140	8.5	88	175	158	158	70	100
21.20 20	200/197*	200/197*	175	175	190/187*	173	188	8.5	135	170	149	149	138	168
21.20 30	300/297*	200/197*	275	175	190/187*	273	288	8.5	235	170	149	149	138	168



* = Conical form tapering downwards
Free dimensions-tolerance to DIN 16901 - 130

Windows

Type	A	B	C
22.12 20 00	116	66	45
22.16 26 00	176	108	45
22.16 34 00	256	108	45
22.20 15 00	66	147	45
22.20 20 00	120	120	45
22.20 30 00	210	120	45

