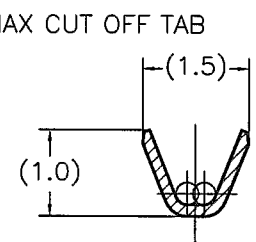
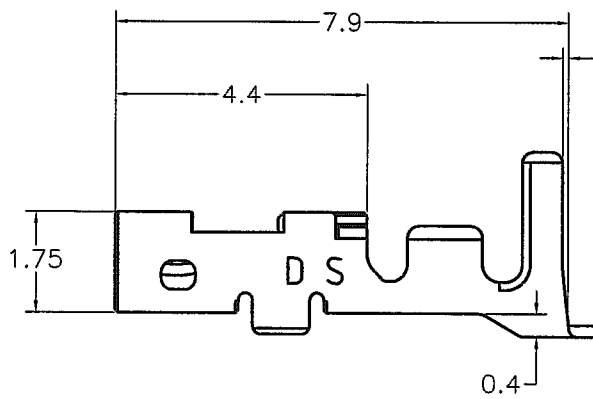
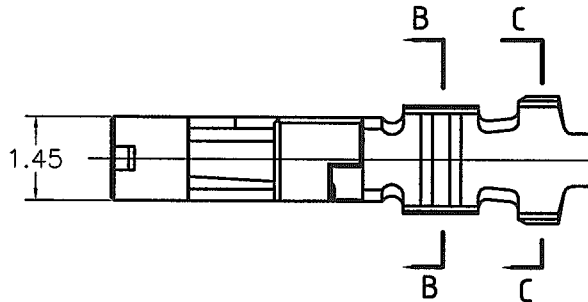
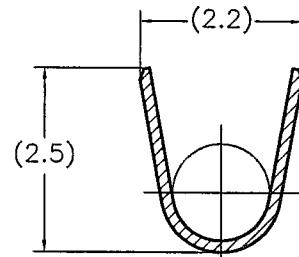


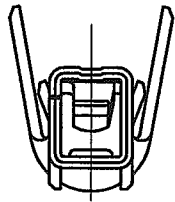
LOC	DIST	REVISIONS					
J	-	P	LTR	DESCRIPTION	DATE	DWN	APVD
		A		RELEASED	23MAR2005	T.K	D.M



SECT. B-B



SECT. C-C



NOTE

1. GENERAL TOLERANCE : $\pm 0.3, \pm 3^\circ$

1827586-2
PART NUMBER

THIS DRAWING IS UNPUBLISHED. ALL RIGHTS RESERVED. BY TYCO ELECTRONICS CORPORATION. © COPYRIGHT

DIMENSIONS: 单位: 毫米 mm TOLERANCES UNLESS OTHERWISE SPECIFIED: 一般公差 0 PLC ± - 1 PLC ± - 2 PLC ± - 3 PLC ± - 4 PLC ± - ANGLES ± - 	DWN T.KUDO	23MAR2005	MATERIAL 材料	COPPER ALLOY	FINISH OVER Ni PL : 1.27μm MIN 仕上 Au PL(CONTACT AREA):0.38μm MIN					
	CHK D.MITSUGI	23MAR2005	 Tyco Electronics AMP K.K. Kawasaki, Japan							
	APVD D.MITSUGI	23MAR2005								
	PRODUCT SPEC 製品規格	108-78268		NAME 名称	DYNAMIC D1000 SERIES REC CONTACT (S TYPE)(L/P)					
APPLICATION SPEC 取付適用規格	114-5377		SIZE	A4	CAGE CODE	00779	DRAWING NO 番号	C-1827586	RESTRICTED TO	-
WEIGHT	-		CUSTOMER DRAWING							
			SCALE 尺度	8:1	SHEET	1	OF	1	REV	A