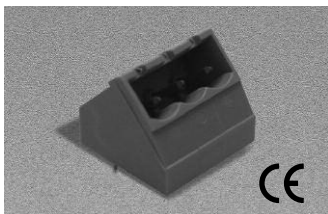


# 5.08mm Pin Spacing – Pluggable PCB Blocks

Pin Spacing: 5.08mm  
 Orientation: 45° Angle Header  
 Clamp Type: –  
 Design: Single Mold - Closed End



**PIPxx-5.08**

**ELECTRICAL**

	Current	Voltage	Wire Range
	12A	300V	–
	16A	450V	–

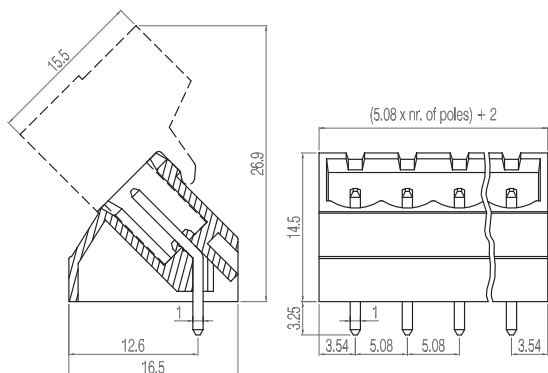
**INSTALLATION DATA**

Screw Size	–	PCB Hole Size	1.5mm
Torque	–	Stripping Lgth.	–

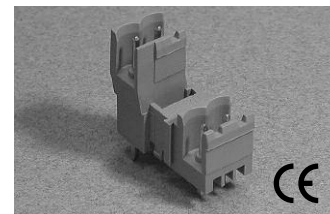
**MATERIAL**

Body	Polyamide	Screw	–
Flammability Class	UL94V-0	Terminal	Tin-Plated Brass
Temperature Limit	105°C UL 125°C IEC	Clamp	–
Color	Green		

No. Poles	Cat. #	Length (mm)	Std. Pk.
2	PIP02-5.08	12.2	100
3	PIP03-5.08	17.2	100
4	PIP04-5.08	22.3	50
5	PIP05-5.08	27.4	50
6	PIP06-5.08	32.5	50
7	PIP07-5.08	37.6	50
8	PIP08-5.08	42.6	50
9	PIP09-5.08	47.7	50
10	PIP10-5.08	52.8	50
11	PIP11-5.08	57.9	50
12	PIP12-5.08	63.0	50
13	PIP13-5.08	68.0	20
14	PIP14-5.08	73.1	20
15	PIP15-5.08	78.2	20
16	PIP16-5.08	83.3	20
17	PIP17-5.08	88.4	20
18	PIP18-5.08	93.4	20
19	PIP19-5.08	98.5	20
20	PIP20-5.08	103.6	20
21	PIP21-5.08	108.7	20
22	PIP22-5.08	113.8	20
23	PIP23-5.08	118.6	20
24	PIP24-5.08	123.9	20



Pin Spacing: 5.08mm  
 Orientation: Vertical -  
 Double Level Header  
 Clamp Type: –  
 Design: Modular - Open End



**PDSVxx-5.08**

**ELECTRICAL**

	Current	Voltage	Wire Range
	12A	300V	–
	16A	450V	–

**INSTALLATION DATA**

Screw Size	–	PCB Hole Size	1.5mm
Torque	–	Stripping Lgth.	–

**MATERIAL**

Body	Polyamide	Screw	–
Flammability Class	UL94V-0	Terminal	Tin-Plated Brass
Temperature Limit	105°C UL 125°C IEC	Clamp	–
Color	Green		

No. Poles	Cat. #	Length (mm)	Std. Pk.
4	PDSV02-5.08	12.7	100
6	PDSV03-5.08	17.8	100
8	PDSV04-5.08	22.9	50
10	PDSV05-5.08	28.0	50
12	PDSV06-5.08	33.0	50
14	PDSV07-5.08	38.0	50
16	PDSV08-5.08	43.2	50
18	PDSV09-5.08	48.3	50
20	PDSV10-5.08	53.3	50
22	PDSV11-5.08	58.4	20
24	PDSV12-5.08	63.5	20
26	PDSV13-5.08	68.6	20
28	PDSV14-5.08	73.7	20
30	PDSV15-5.08	78.7	20
32	PDSV16-5.08	83.8	20
34	PDSV17-5.08	89.9	20
36	PDSV18-5.08	94.0	20
38	PDSV19-5.08	99.1	20
40	PDSV20-5.08	104.1	10
42	PDSV21-5.08	109.2	10
44	PDSV22-5.08	114.3	10
46	PDSV23-5.08	119.4	10
48	PDSV24-5.08	124.5	10

