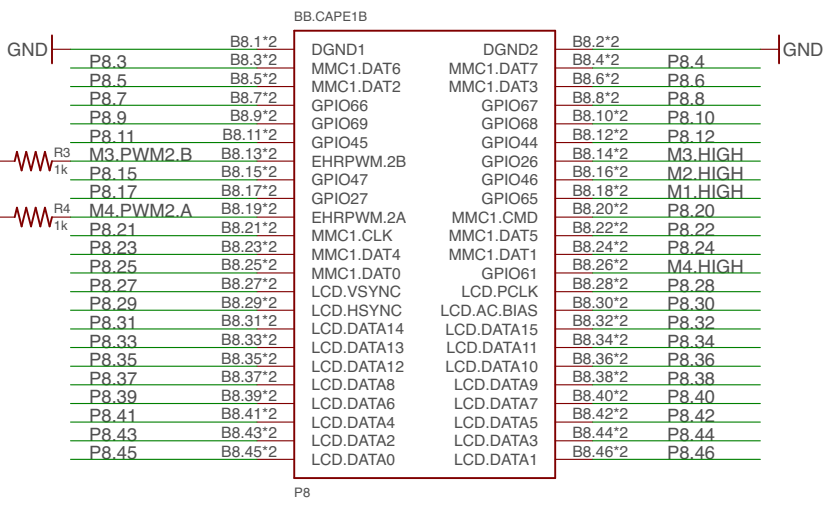


```

11011101A2IA1IA0IRW
-----
11011101LILILIRW = 0x50
11011101LILIHIRW = 0x51
11011101LILILIRW = 0x52
11011101LILIHIRW = 0x53
11011101LILILIRW = 0x54
11011101LILIHIRW = 0x55
11011101LILILIRW = 0x56
11011101LILIHIRW = 0x57

```

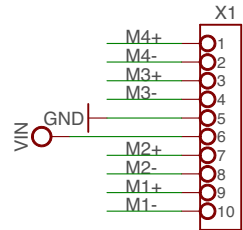
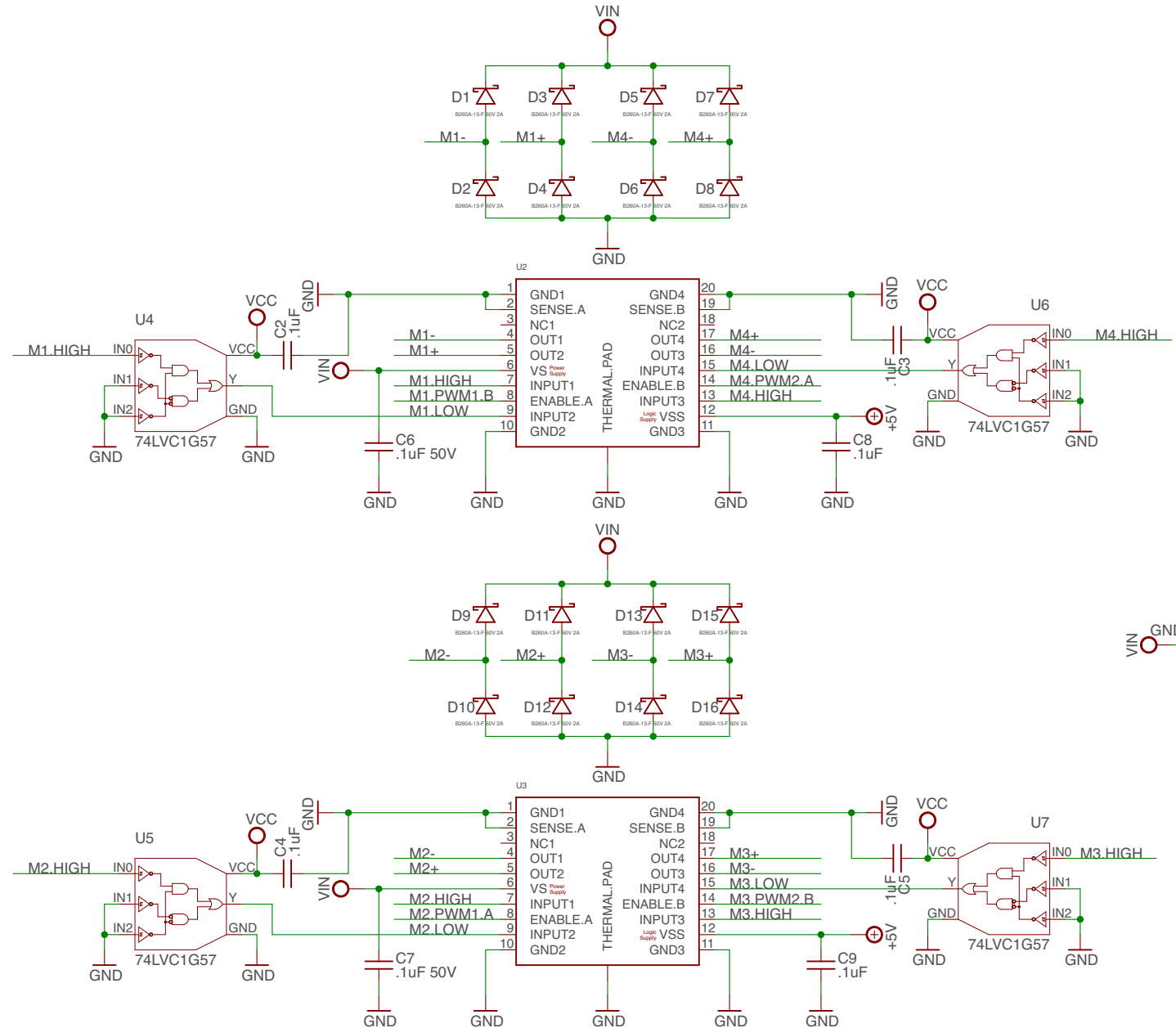



**BeagleBone
Headers and
EEPROM**

TITLE: Motor_Cape

Document Number:	REV: A2
Date: 6/4/18 2:42 PM	Sheet: 1/1





 Motor ICs and Header

TITLE: Motor_Cape

Document Number: _____ REV: A2

Date: 6/4/18 2:42 PM Sheet: 1/1