

REVISIONS			
REV	DESCRIPTION	DATE	APPROVED

120 MHz Low Pass Filter

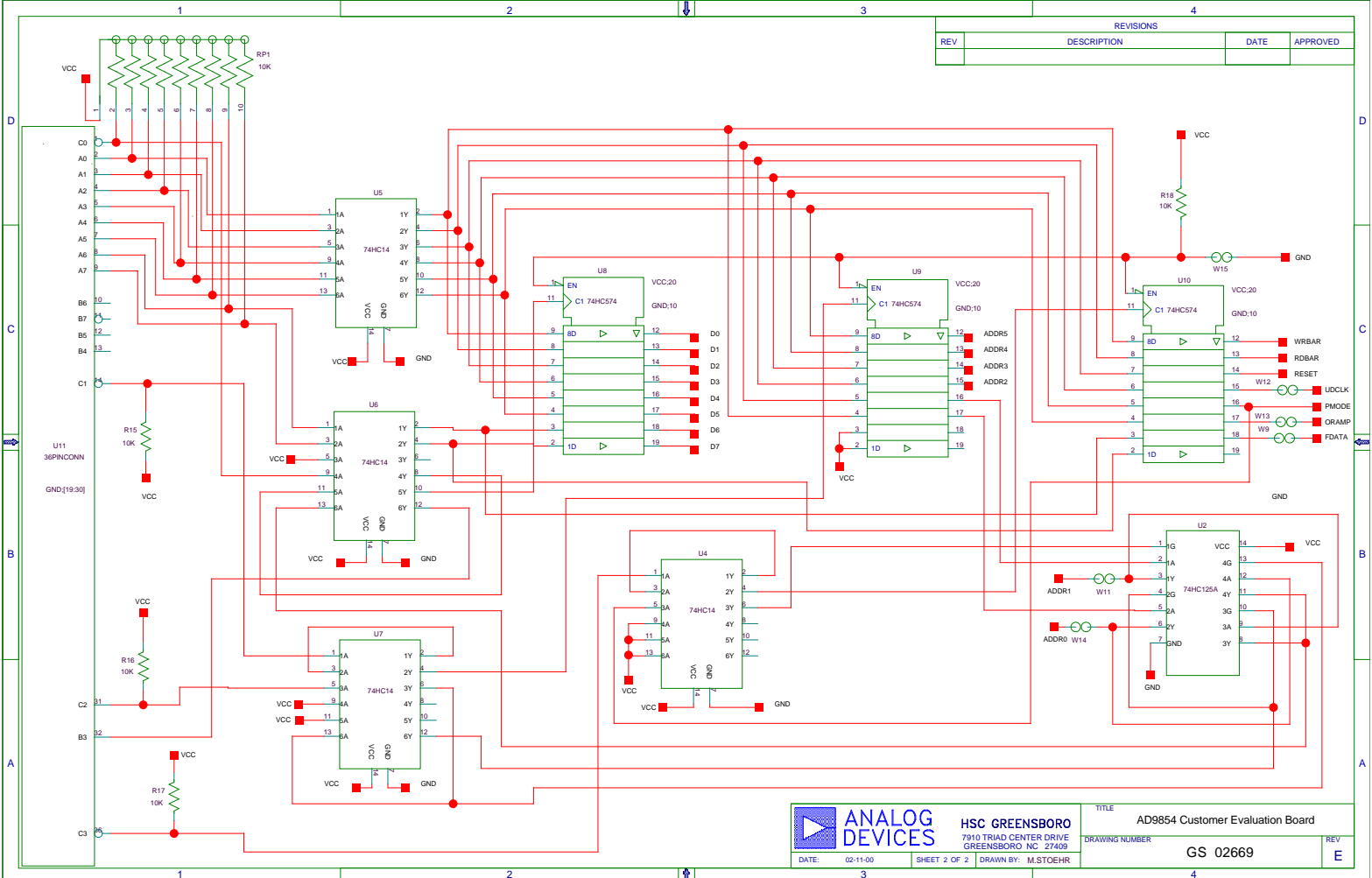
120 MHz Low Pass Filter


ANALOG DEVICES
 HSC GREENSBORO
 7910 TRAD CENTER DRIVE
 GREENSBORO NC 27409

TITLE	AD9854 Customer Evaluation Board
DRAWING NUMBER	GS 02669
DATE	02/1/00
SHEET	1 OF 2
DRAWN BY	M.STOEHR

REV E

REVISIONS			
REV	DESCRIPTION	DATE	APPROVED



	HSC GREENSBORO 7910 TRAIL CENTER DRIVE GREENSBORO NC 27409		TITLE AD9854 Customer Evaluation Board	
	DATE: 02-11-00	SHEET 2 OF 2	DRAWN BY: M.STOEHR	DRAWING NUMBER GS 02669