



COMO C

Manually operated Transfer Switching Equipment
from 25 to 100 A

Transfer switches



como_179_a_1

COMO C
I-I+II-II 4P 63 A



como_178_a_1

COMO C
I-O-II 3P 25 A

The solution for

- > Industry (machine control)



Strong points

- > High number of operations
- > Flexibility
- > Bridging bars

Conformity to standards

- > IEC 60947-3
- > UL 508



Function

COMO C are manual transfer switches with positive break indication. They provide on-load transfer between two sources for any low voltage power circuit, as well as safety isolation. Other applications include source inversion (e.g. to change the direction of a motor) or grounding/earthing.

Advantages

High number of operations

COMO C can perform up to 100000 operation cycles.

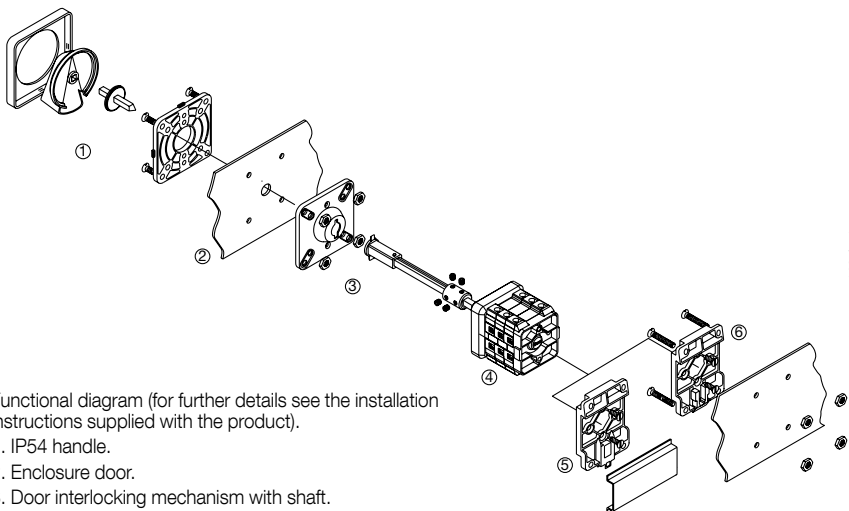
Bridging bars

Bridging bars are supplied factory fitted as standard.

Flexibility

Four types of changeover switches are available as standard (I-II, I-O-II, I-I+II-II & Bypass I-O-II). Other switching options, such as star/delta configurations or a non-standard number of poles, are available on request.

Configurations



como_168_b_1_x_cat

Functional diagram (for further details see the installation instructions supplied with the product).

1. IP54 handle.
2. Enclosure door.
3. Door interlocking mechanism with shaft.
4. Switch body
5. DIN rail mounting device.
6. Back plate mounting device.

References

Rating (A)	No. of poles	Switching type	Switch body	IP54 padlockable handle	IP54 non-padlockable white handle	Shaft and escutcheon for external handle	Back mounting kit	IP65 gasket
25 A	3 P	I - II	4220 3002 ⁽¹⁾	Black/Grey 4259 1042	I - II 4259 2022 I - 0 - II and Bypass 4259 3022 I - I+II - II 4259 4022	200 mm 4259 5042	DIN rail mounting 4259 9001	4299 5001 ⁽²⁾
	4 P	I - II	4220 4002 ⁽¹⁾					
	3 P	I - 0 - II	4230 3002 ⁽¹⁾⁽³⁾					
	4 P	I - 0 - II	4230 4002 ⁽¹⁾⁽³⁾					
	3 P	I - I+II - II	4240 3002 ⁽¹⁾					
	4 P	I - I+II - II	4240 4002 ⁽¹⁾					
	3 + 6 P	Bypass I - 0 - II	4250 3002					
	4 + 8 P	Bypass I - 0 - II	4250 4002					
40 A	3 P	I - II	4220 3004 ⁽¹⁾	Red/Yellow 4259 1043	I - II 4259 2042 I - 0 - II and Bypass 4259 3042 I - I+II - II 4259 4042	200 mm 4259 5042	Back plate mounting 4259 9040	4299 5001 ⁽²⁾
	4 P	I - II	4220 4004 ⁽¹⁾					
	3 P	I - 0 - II	4230 3004 ⁽¹⁾⁽³⁾					
	4 P	I - 0 - II	4230 4004 ⁽¹⁾⁽³⁾					
	3 P	I - I+II - II	4240 3004 ⁽¹⁾					
	4 P	I - I+II - II	4240 4004 ⁽¹⁾					
	3 + 6 P	Bypass I - 0 - II	4250 3004					
	4 + 8 P	Bypass I - 0 - II	4250 4004					
63 A	3 P	I - II	4220 3006 ⁽¹⁾	Black/Grey 4259 1082	I - II 4259 2082 I - 0 - II and Bypass 4259 3082 I - I+II - II 4259 4082	200 mm 4259 5082	DIN rail mounting 4259 9001	4299 5002 ⁽²⁾
	4 P	I - II	4220 4006 ⁽¹⁾					
	3 P	I - 0 - II	4230 3006 ⁽¹⁾⁽³⁾					
	4 P	I - 0 - II	4230 4006 ⁽¹⁾⁽³⁾					
	3 P	I - I+II - II	4240 3006 ⁽¹⁾					
	4 P	I - I+II - II	4240 4006 ⁽¹⁾					
	3 + 6 P	Bypass I - 0 - II	4250 3006					
	4 + 8 P	Bypass I - 0 - II	4250 4006					
80 A	3 P	I - II	4220 3008 ⁽¹⁾	Red/Yellow 4259 1083	I - II 4259 2082 I - 0 - II and Bypass 4259 3082 I - I+II - II 4259 4082	200 mm 4259 5082	DIN rail mounting 4259 9001	4299 5002 ⁽²⁾
	4 P	I - II	4220 4008 ⁽¹⁾					
	3 P	I - 0 - II	4230 3008 ⁽¹⁾⁽³⁾					
	4 P	I - 0 - II	4230 4008 ⁽¹⁾⁽³⁾					
	3 P	I - I+II - II	4240 3008 ⁽¹⁾					
	4 P	I - I+II - II	4240 4008 ⁽¹⁾					
	3 + 6 P	Bypass I - 0 - II	4250 3008					
	4 + 8 P	Bypass I - 0 - II	4250 4008					
100 A	3 P	I - II	4220 3010	Black/Grey 4259 1082	I - II 4259 2082 I - 0 - II and Bypass 4259 3082 I - I+II - II 4259 4082	200 mm 4259 5082	DIN rail mounting 4259 9001	4299 5002 ⁽²⁾
	4 P	I - II	4220 4010					
	3 P	I - 0 - II	4230 3010					
	4 P	I - 0 - II	4230 4010					
	3 P	I - I+II - II	4240 3010					
	4 P	I - I+II - II	4240 4010					
	3 + 6 P	Bypass I - 0 - II	4250 3010					
	4 + 8 P	Bypass I - 0 - II	4250 4010					

(1) Available enclosed (see page 754).

(2) IP65: protection degree according to IEC 60529 standard.

(3) References available with 1 or 2 auxiliary contacts, please consult us.

Enclosed solutions

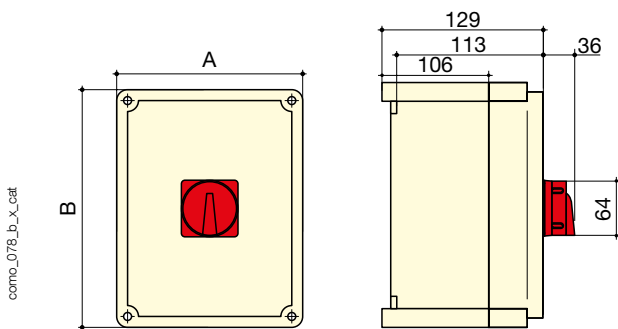
General characteristics



conf_039_a_2_cat

- Adapted to environments subject to chemical, dust, contamination and atmospheric corrosion risks.
- Operation handle: Red/yellow handle
- Protection degree: IP65.
- Colour: RAL 7030.
- Material: glass fibre reinforced polyester.
- Product supplied as a kit, to be assembled.
- Locking system: screw.

Dimensions



como_078_b_x_cat

* MTSE: Manual Transfer Switching Equipment

References

Rating (A)	No. of poles	Switching type	A (mm)	B (mm)	Reference
25 A	3 P	I - II	135	135	4221 3C02
	4 P	I - II	135	135	4221 4C02
	3 P	I - 0 - II	135	135	4231 3C02
	4 P	I - 0 - II	135	180	4231 4C02
	3 P	I - I+II - II	135	135	4241 3C02
	4 P	I - I+II - II	135	135	4241 4C02
40 A	3 P	I - II	135	135	4221 3C04
	4 P	I - II	135	135	4221 4C04
	3 P	I - 0 - II	135	135	4231 3C04
	4 P	I - 0 - II	135	135	4231 4C04
	3 P	I - I+II - II	135	135	4241 3C04
	4 P	I - I+II - II	135	135	4241 4C04
63 A	3 P	I - II	135	180	4221 3C06
	4 P	I - II	135	180	4221 4C06
	3 P	I - 0 - II	135	180	4231 3C06
	4 P	I - 0 - II	135	180	4231 4C06
	3 P	I - I+II - II	135	180	4241 3C06
	4 P	I - I+II - II	135	180	4241 4C06
80 A	3 P	I - II	135	180	4221 3C08
	4 P	I - II	135	180	4221 4C08 ⁽¹⁾
	3 P	I - 0 - II	135	180	4231 3C08
	4 P	I - 0 - II	135	180	4231 4C08 ⁽¹⁾
	3 P	I - I+II - II	135	180	4241 3C08
	4 P	I - I+II - II	135	180	4241 4C08 ⁽¹⁾

(1) Derated to 70 A for 4 pole.

Characteristics according to IEC 60947-3

25 to 100 A

Thermal current I_{th} (40 °C)	25 A	40 A	63 A	80 A	100 A
Rated insulation voltage U_i (V)	660	660	660	660	660
Rated impulse withstand voltage U_{imp} (kV)	4	4	4	4	4
Rated operational currents I_e (A)					
Rated voltage	Utilisation category	A/B ⁽¹⁾	A/B ⁽¹⁾	A/B ⁽¹⁾	A/B ⁽¹⁾
400 VAC	AC-21 A	25/25	40/40	63/63	80/80
400 VAC	AC-22 A	25/25	40/40	63/63	100/100
400 VAC	AC-23 A	20/20	32/32	63/63	63/63
Operational power in AC-23 (kW)					
At 400 VAC without pre-break ⁽¹⁾⁽²⁾	9/9	15/15	22/22	30/30	30/30
Reactive power (kvar)					
At 400 VAC ⁽²⁾	14	18	28	37	
Fuse protected short-circuit withstand (kA rms prospective)					
Prospective short-circuit (kA rms) ⁽³⁾	6	6	8	8	8
Associated fuse rating (A) ⁽³⁾	25	40	63	80	100
Short-circuit capacity					
Closing capacity on short-circuit (kA peak) ⁽³⁾	2	2.6	5.8	5.8	6.5
Connection					
Minimum Cu cable cross-section (mm ²)	2.5	10	16	16	16
Maximum Cu cable cross-section (mm ²)	6	16	50	50	50
Tightening torque min (Nm)	2	2	3.5	3.5	3.5
Mechanical characteristics					
Durability (number of operating cycles)	100 000	100 000	100 000	100 000	100 000
Weight of 3 P switch (kg)	0.25	0.3	0.55	0.63	0.63
Weight of 4 P switch (kg)	0.31	0.4	0.7	0.8	0.8

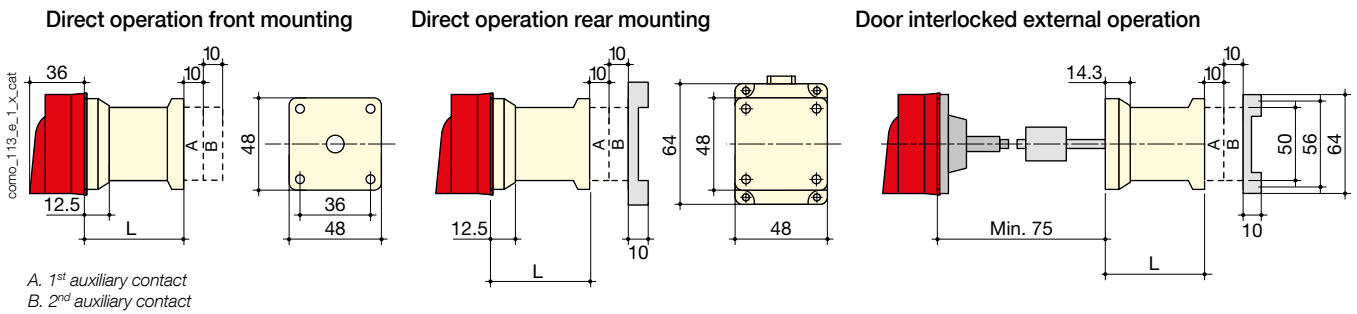
(1) Category with index A = frequent operation - Category with index B = infrequent operation.

(2) The power value is given for information only, the current values vary from one manufacturer to another.

(3) For a rated operational voltage $U_o = 400$ VAC.

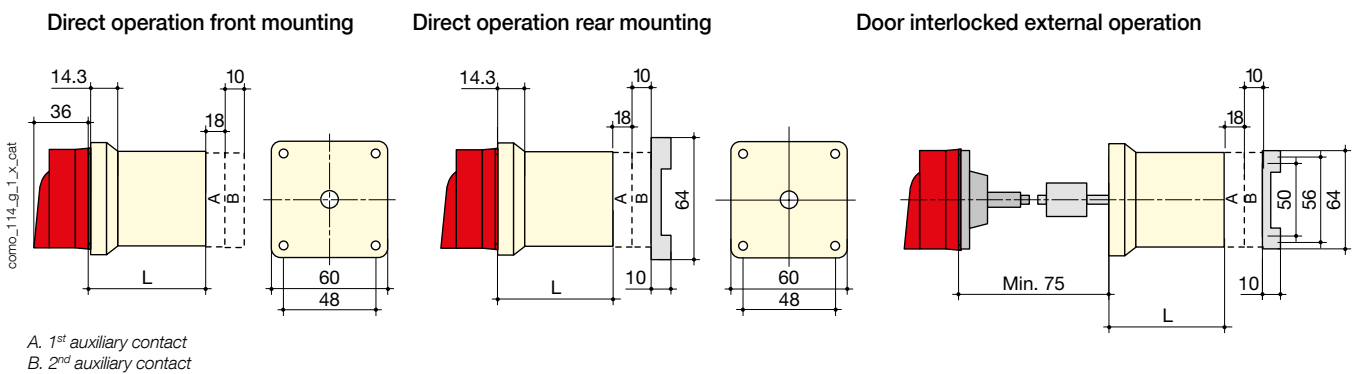
Dimensions

25 A



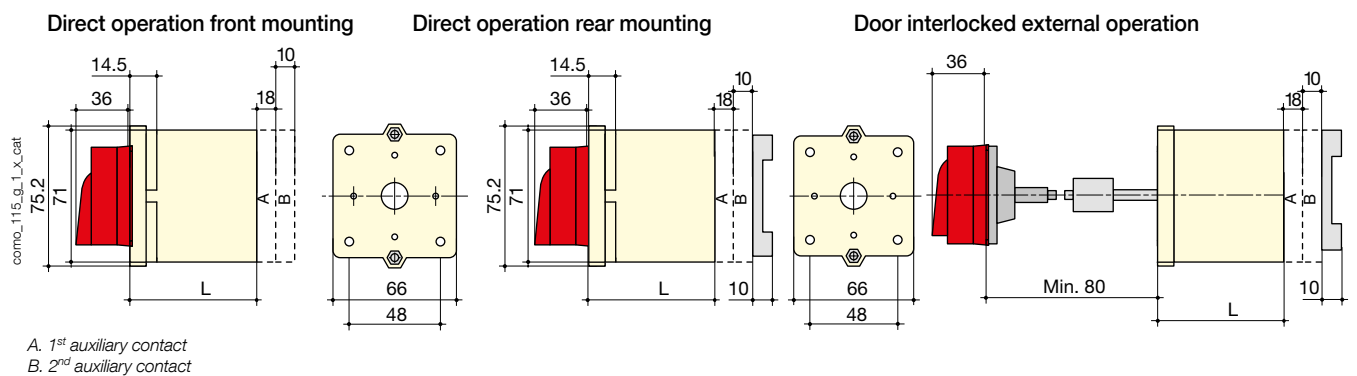
Switching type	L 3p.	L 4p.
I - II	50.5	60.5
I - 0 - II	50.5	60.5
I - I+II - II	50.5	60.5
Bypass I - 0 - II	70.5	80.5

40 A



Switching type	L 3p.	L 4p.
I - II	60.3	72.3
I - 0 - II	60.3	72.3
I - I+II - II	60.3	72.3
Bypass I - 0 - II	84.3	96.3

63 to 100 A



Switching type	L 3p.	L 4p.
I - II	82	99.5
I - 0 - II	82	99.5
I - I+II - II	82	99.5
Bypass I - 0 - II	117	134.5