



# Battery Box Power Supply

## 1. Product Overview

The battery box from Global Laser provides a power source for the LaserLyte/LaserLyte Flex and LDL175 Range for applications where it is impractical to provide a permanent power source.

The power source is a compact ABS box and operates from three industrial AA batteries and can provide power for up to 70 hours of laser operation (Laser model dependent). A 2.5mm DC Jack connector is fitted which is compatible with a wide range of Global Laser products and an on/off switch allows the user to control laser output and battery lifetime. The battery can be replaced by simply removing four screws and removing the lid of the box.

	Approximate Battery Lifetime (Hours) with a Laser Module Case Temperature of 25°C
LaserLyte V1 Range	9.5
LaserLyte V2 Range	11.5
LaserLyte V3 Range	30
LaserLyte V5 Range	42
LaserLyte-Flex 650nm 5mW	42
LaserLyte-Flex 635nm 5mW	30
LDL175G/635/1	30
LDL175G/635/3	30
LDL175G/635/5	21
LDL175G/650/1	42
LDL175G/650/3	42
LDL175G/650/5	21
LDL175G/670/1	26
LDL175G/670/3	26
LDL175G/670/5	21
LDL175G/780/1	35
LDL175G/780/3	35
LDL175G/780/5	26
LDL175G/850/1	70
LDL175G/850/3	70
LDL175G/850/5	30



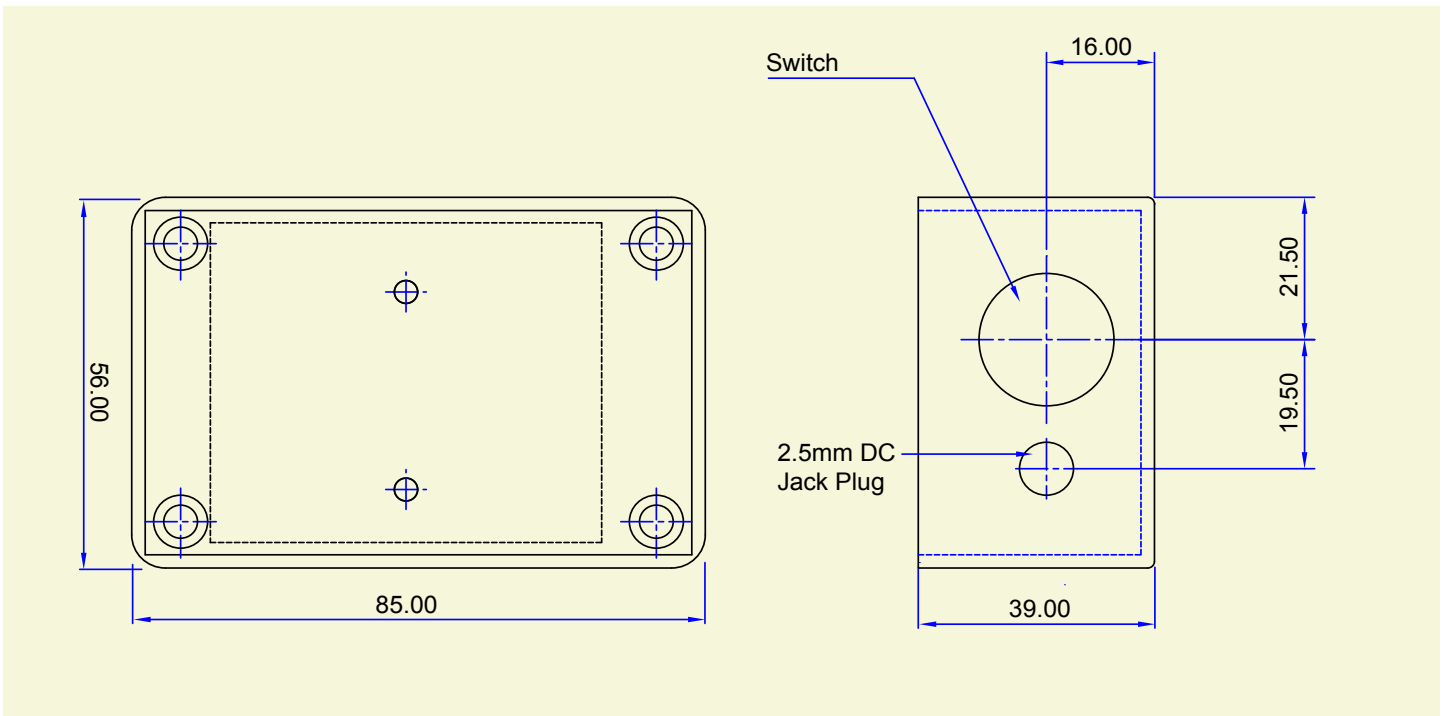
# Battery Box Power Supply

## 2. Specification

<b>Size</b>	85 x 56 x 39 mm
<b>Battery Type</b>	AA Type 1.5V 1500mAH x3
<b>Recommended Battery Model</b>	Duracell ProCell AA
<b>mAH Rating</b>	1500
<b>Voltage (total)</b>	4.5 Vdc
<b>Connector</b>	DC Power Socket 2.5mm Centre pin: (0 Volts), Outer: (+Ve)
<b>Operating Temperature Range</b>	-20°C to + 54°C
<b>Storage Temperature Range</b>	-20°C to +35°C

## 3. Diagram

Battery Box Power Supply



Please Note: Global Laser reserve the right to change descriptions and specifications without notice.



T: +44 (0)1495 212213  
F: +44 (0)1495 214004  
E: sales@globallasertech.com  
www.globallasertech.com

Global Laser Ltd  
Unit 9-10  
Roseheyworth Business Park  
Abertillery, Gwent NP13 1SP UK