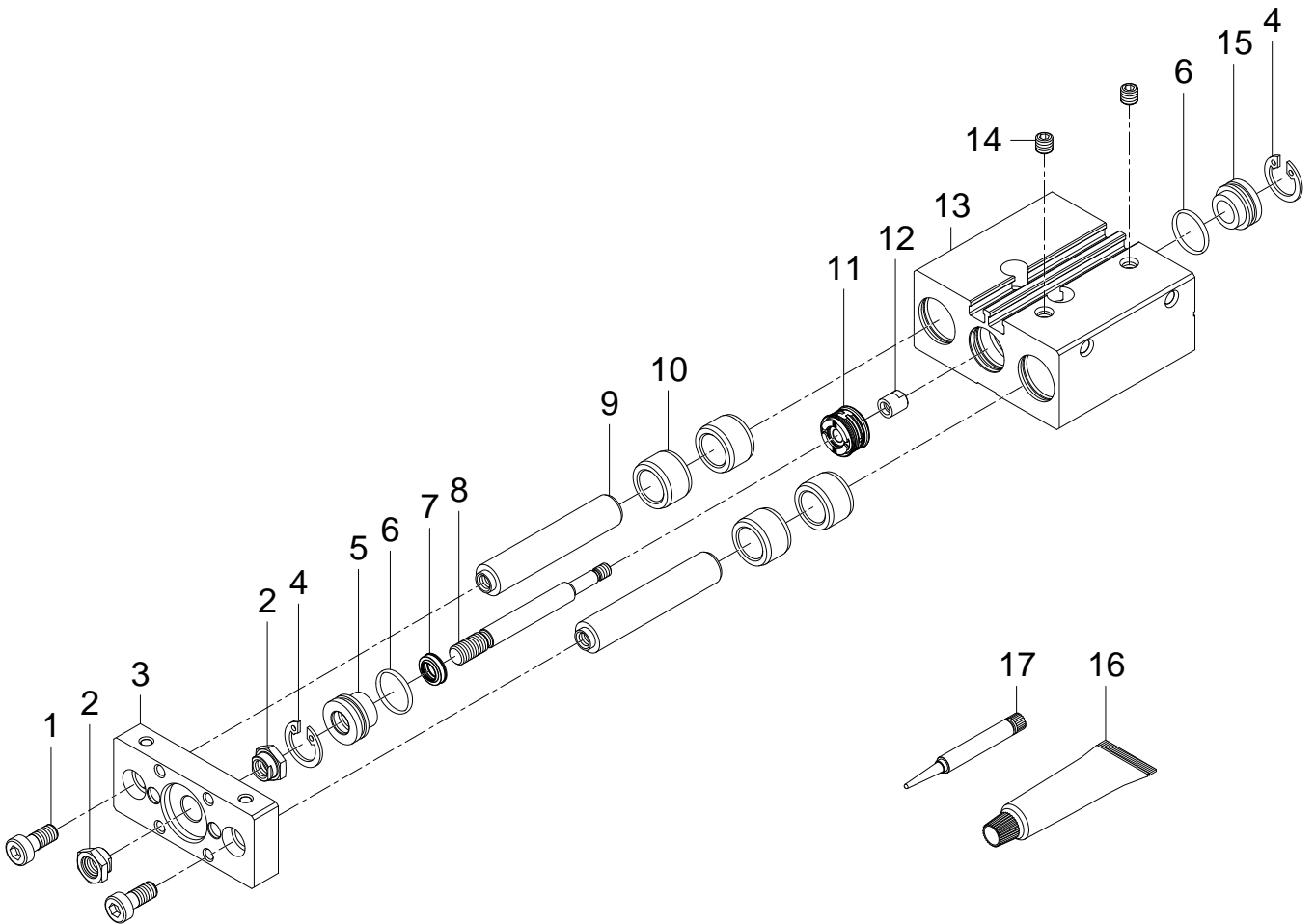


170840 DFM-20-20-P-A-GF Guided drive - Series till 04-2017



## 170840 DFM-20-20-P-A-GF Guided drive - Series till 04-2017

Pos.	Part no.	Type	Note	Qty.	Unit
A	8047215	DFM-20-PA :FR 04-2015 Set of wearing parts	Spare parts: 4, 6, 7, 11, 16, 17 <a href="#">Replacing the wearing parts</a>	1	PC
1	336809	DIN 7984-M6X16-8.8 Socket head screw	Tightening torque 8.2 Nm / 6.0 lbf ft Use locking compound. See position 17	2	PC
2		M10X1,25 Collar nut	Not available Tightening torque 28.3 Nm / 20.9 lbf ft Use locking compound. See position 17	2	PC
3		DFM-20 End plate	Not available	1	PC
4		DIN 472-21X1 Retaining ring	Not available separately, see position A	2	PC
5		DFM-20 Bearing cap	Not available Grease using during assembly. See position 16	1	PC
6		B-18X1,5-N-NBR70 O-ring ISO3601	Not available separately, see position A Grease using during assembly. See position 16	1	PC
7		WIFC1-10X14X3,7-TPE-U Wiper seal	Not available separately, see position A Grease using during assembly. See position 16	1	PC
8		ARA-10-S0035.7-B Piston rod	Not available	1	PC
9		DFM-20-20-GF Guide rod	Not available	2	PC
10		DFM-20 Plain bearing	Not available	2	PC
11		BA-K10D-020-A Complete piston	Not available separately, see position A Grease using during assembly. See position 16	1	PC
12	709441	DSNU-20 Nut	Tightening torque 2.7 Nm / 2.0 lbf ft Use locking compound. See position 17	1	PC
13		DFM-20-20 Housing	Not available Grease using during assembly. See position 16	1	PC
14	369947	M5X5 Plug screw module		2	PC
15		DFM-20 End cap	Not available	1	PC
16	684474	LUB-KC1 SILIKONFREI 20ML Lubricating grease		1	PC
17	8181256	CYBERBOND TM44 TB1ML Adhesive bonding agent		1	PC