

26" PRO35™ TOOL CHEST 4 DRAWERS BLACK



- Four fully extendable drawers with smooth running ball bearing slides and noise reducing EVA mats
- Accommodates up to 4 TengTools TC1 modules per drawer for customized organization
- Powder-coated heavy gauge steel construction treated with a 5-step phosphate-free rust prevention process for long-lasting use
- 3-digit combination lock secures tools
- Drop front with TengTools logo conceals drawers for a sleek appearance

The TengTools 26" PRO35™ tool chest TST26B4 in matte black is a premium tool storage solution for professionals. Measuring 660 mm in width, 305 mm in depth, and 380 mm in height, this tool chest offers spaciousness in a compact design. The unique drop front, adorned with the TengTools logo, conceals the drawers when closed. Each of the four fully extendable drawers—three with a depth of 50 mm and one with a height of 75 mm—are lined with EVA mats, providing cushioning and protection for stored tools. These mats also reduce tool movement and noise, ensuring a more pleasant working environment. The tool chest is compatible with the TengTools tool control system, accommodating up to four TengTools TC1 modules per drawer. This allows for flexible customization using the TT sets or the protective FOAM sets, featuring high-density EVA in three contrasting layers for ultimate tool protection. Constructed from heavy gauge steel, this tool chest is designed for durability, further enhanced by a 5-step phosphate-free rust prevention process. A 3-digit combination lock provides security for the tools. The drawers have smooth running ball bearing slides to enhance the user experience. The tool chest also features recessed side handles and rubber feet, offering stability and ease of mobility within the workspace.

General information

Country of origin: Taiwan
Barcode: 5020385215139
Tarriff code Europe: 9403208000
ECCN US: EAR99
UNSPSC: 24112401

Attributes

Product type: Mobile Tool Storage
Colour: Black
Type of storage: Tool Chest

Features



Dimensions

Net weight (g): 21400
Width (mm): 660
Depth (mm): 305
Height (mm): 380
Number of drawer: 4
Drawer capacity: 4 × 30 kg
Drawer depth: 4 × 275 mm
Drawer height: 3 × 50 mm, 1 × 75 mm
Drawer width: 4 × 569 mm

Technical changes and errors may occur. 01-08-2024 20:00



DESIGNED IN SWEDEN

TengTools is a Swedish company present in more than 30 markets worldwide, and offers hand tools in smart storage solutions for demanding professionals within the automotive, maintenance and engineering sectors, as well as motor sport enthusiasts who aspire to use the same tools as top mechanics across the globe.



Sandbergsvägen 3
 441 39 Alingsås, Sweden

ADDITIONAL IMAGES



WWW.TENGOOLS.COM

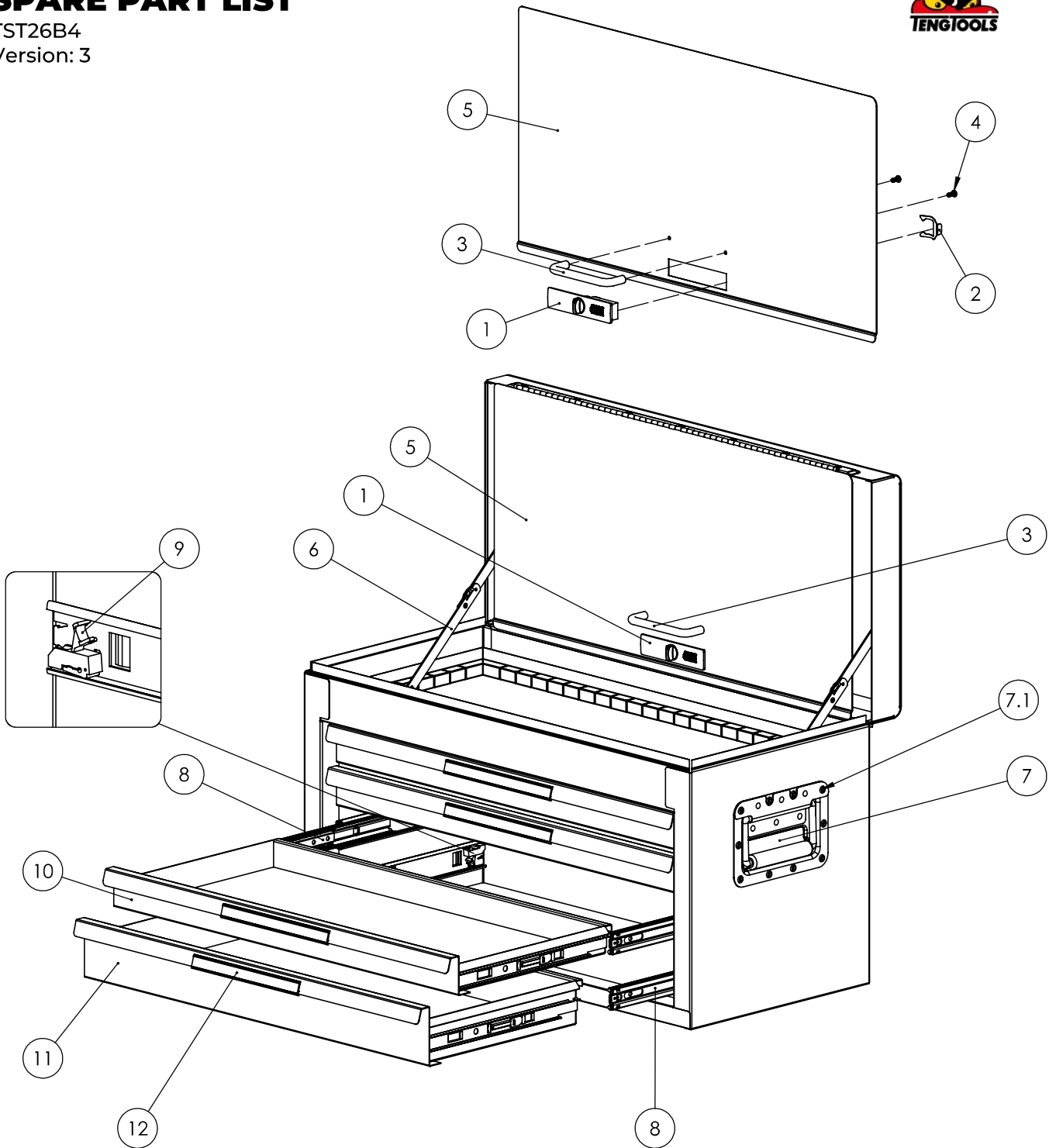


SPARE PART LIST

TST26B4
Version: 3



WWW.TENGTTOOLS.COM



POS	DESCRIPTION	ITEM ID
1A	Combination lock 90°	TC-90CLOCK
1B	Key cylinder lock 90° (optional)	TC-90KEYLOCK
2	Cam for lock (included in Pos 1)	TC803-05
3	Drop front handle Black	TC805NFXBK1-10
4	Screws for drop front handle (2 pcs)	TC606-10
5	Drop front 26" with Logo Black	TC806NFBK-13
6	Lid stay (1 pc)	TC606-12
7	Retractable side handle	TCDSHA
7.1	Rivets: 4,8mm x 7,4mm Black (10 pcs)	-
8	Slider 10" 36 mm Left/Right (1pc)	TC803N-03
9	Clip for slider (included in Pos 8)	TC803N-13
10	Drawer 569 x 275 x 50 mm Black	TST26B-50
11	Drawer 569 x 275 x 75 mm Black	TST26B-75
12A	Aluminium drawer handle (3 pcs)	ALUE803
12B	Aluminium drawer handle (4 pcs)	ALUE804