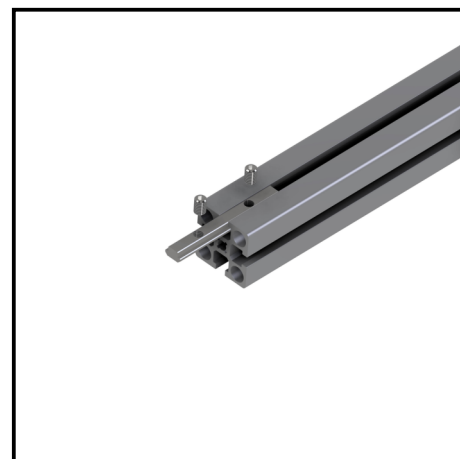
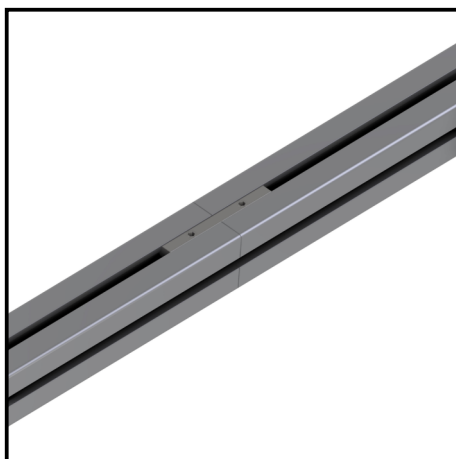
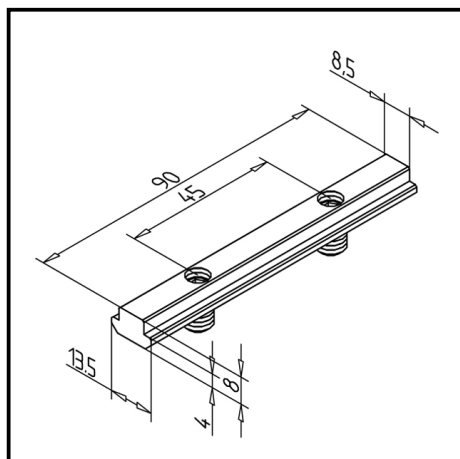


## T-SLOT BAR 90

Article Nr. 21.1029/0

See the product on the website →

Download CAD Files →



### TECHN. DATA / ITEMS SUPPLIED

- Steel, galvanized
- 2 set screws M8, with hexagonal socket SW 4
- Stainless version **part no.** [21.0992/0](#)
- Weight = 0.062 kg/piece

### APPLICATIONS

- Profile extension
- Fastening of roller elements in slide LW

### ASSEMBLY

- Swing into profile groove
- Clamp with set screw
- No machining required
- For larger profile cross sections or higher loads, several clamping strips must be used
- By fixing the setscrews, the T-slot bar fits tight in the area of the groove sides