

Mod. G7580 - Fittings Series 7000 - Automation

Product code: G7580 6-10

Datasheet creation date: 12/12/2025 08:46

Check the most updated document online [click here](#)

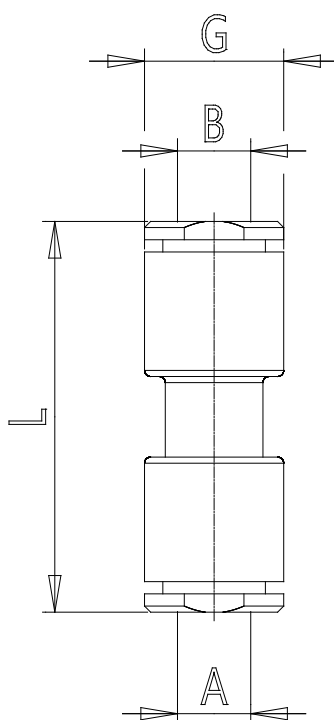


■ TECHNICAL DATA

Mod.	G7580 6-10
------	------------

Mod. G7580 - Fittings Series 7000 - Automation

Product code: G7580 6-10



DIMENSIONS

A (mm)	6
B (mm)	10
GD (mm)	16.3
L (mm)	41.0
Weight (g)	5.5