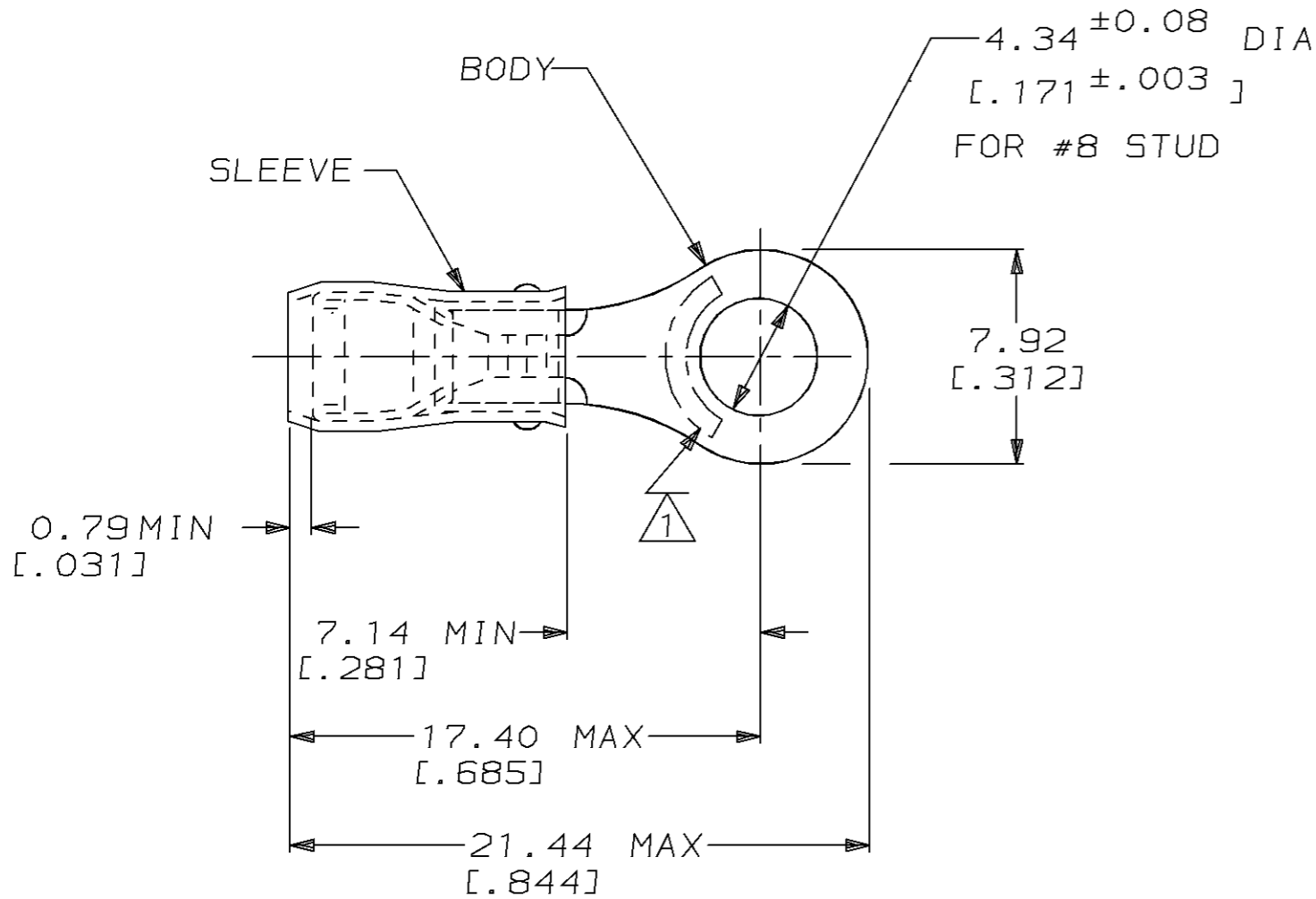


THIS DRAWING IS UNPUBLISHED. RELEASED FOR PUBLICATION, 19 .  
 © COPYRIGHT 19 BY AMP INCORPORATED. ALL INTERNATIONAL RIGHTS RESERVED.

LOC	DIST	P	F	REVISIONS				
G	14			ZONE	LTR	DESCRIPTION	DATE	APPD
					Y	REV / 0L20-0025-97	28JAN97	ME TM

<b>AMP</b> WIRE RANGE	E13288 Listed	LR7189 Certified
22-16 AWG SOLID OR STRANDED	22-16 AWG SOLID OR STRANDED	22-16 AWG SOLID OR STRANDED



- 1 STAMP AMP 22-18\* APPROX AS SHOWN  
22-16 TERMINALS ARE STAMPED 22-18 IN  
ACCORDANCE WITH MILITARY SPEC MIL-T-7928  
COMMERCIAL WIRE RANGE IS 22-16
- 2 WIRE INSULATION DIA: 2.03 - 3.18  
[.080 - .125]
- 3 TONGUE MATERIAL THK: 0.79±0.05  
[.031±.002]

**AMP INCORPORATED**  
**CUSTOMER SERVICE SYSTEMS**

FOR ADDITIONAL PRODUCT INFORMATION OR COPIES OF DRAWINGS AND TECHNICAL DOCUMENTS	PRODUCT INFORMATION CENTER 1-800-522-6752
FOR APPLICATION TOOLING INFORMATION	TOOLING ASSISTANCE CENTER 1-800-722-1111
FOR ORDER ENTRY	1-800-526-5142

MAX RECOMMENDED OPERATING  
TEMPERATURE:  
105°C MAX

VOLTAGE RATING:  
300 V MAX

CIRCULAR MIL AREA:  
0.26-1.65mm<sup>2</sup> [509-3,260] CIR MILS  
SOLID OR STRANDED

THIS DRAWING IS A CONTROLLED DOCUMENT FOR  
AMP INCORPORATED. IT IS SUBJECT TO CHANGE  
AND THE CONTROLLING ENGINEERING ORGANIZATION  
SHOULD BE CONTACTED FOR THE LATEST REVISION.

-	100	LOOSE PIECE, BOX	6-320551-1
MS25036-149 CLASS 2	5000	ON TAPE, REEL	1-320551-1
MS25036-149 CLASS 1 & 2	1000	LOOSE PIECE	320551
MILITARY P/N AND CLASS	QUANTITY	PACKAGE TYPE	PART NO
DO NOT SCALE PRINT. UNLESS SPECIFIED DIMENSIONS IN mm [INCHES] TOLERANCES ON: 2 PLC DEC ± 0.20 [.008] 3 PLC DEC ± - ANGLES ± -	DR 9/8/93 DK SCHRUM CHK 9/8/93 RE HERSEY APPD 9/8/93 ML ELLIS APPD 9/8/93 M BARNABA PRODUCT SPEC UL 486A	<b>AMP</b> AMP Incorporated Harrisburg, PA 17105-3608	
MATERIAL COPPER PER ASTM B-152 SLEEVE, RED NYLON	FINISH TIN PLATE PER MIL-T-10727	NAME TERMINAL, RING TONGUE, PIDG™, WIRE SIZE, 22-16 AWG	
	APPLICATION SPEC NOT AVAILABLE	SIZE B	CAGE CODE 00779
	WEIGHT -	DRAWING NO C-320551	SHEET 1 OF 2
		SCALE NTS	

THIS DRAWING IS UNPUBLISHED. RELEASED FOR PUBLICATION, 19 .  
 © COPYRIGHT 19 BY AMP INCORPORATED. ALL INTERNATIONAL RIGHTS RESERVED.

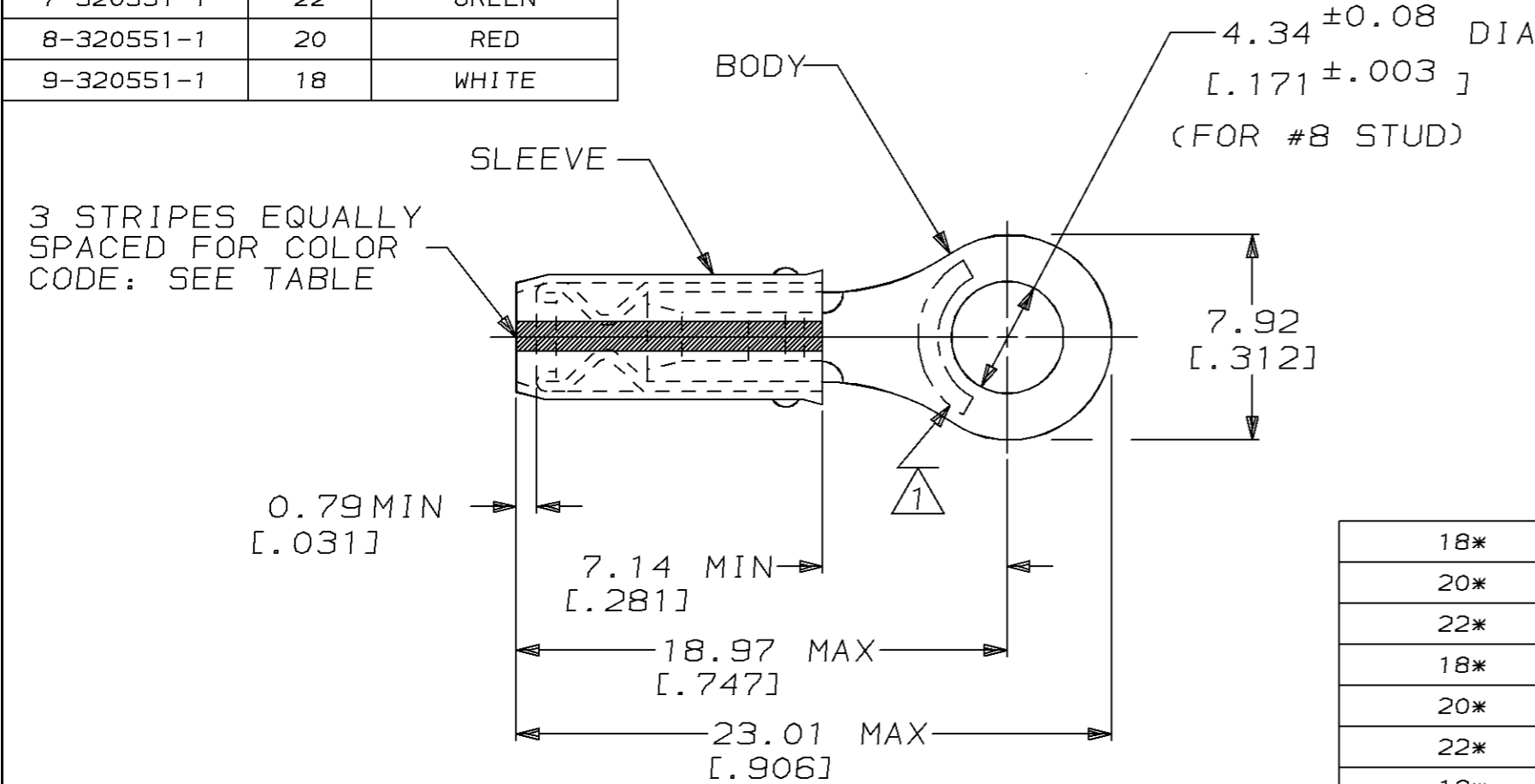
LOC	DIST	P	F	ZONE	LTR	REVISIONS	DATE	APPD
G	14				Y	REV / 0L20-0025-97	28JAN97	ME TM

PART NO	WIRE SIZE	STRIPE COLOR
1-320551-2	22	GREEN
1-320551-3	20	RED
1-320551-4	18	WHITE
1-320551-5	22	GREEN
1-320551-7	20	RED
1-320551-8	18	WHITE
7-320551-1	22	GREEN
8-320551-1	20	RED
9-320551-1	18	WHITE

1 STAMP AMP APPROX AS SHOWN  
 SEE TABLE BELOW

2 WIRE INSULATION DIA: 0.97 - 2.79 FOR 22 AWG  
 [.038 - .110]  
 1.17 - 2.79 FOR 20 AWG  
 [.046 - .110]  
 1.42 - 2.79 FOR 18 AWG  
 [.056 - .110]

3 TONGUE MATERIAL THK: 0.79±0.05  
 [.031±.002]



WIRE SIZE	MILITARY P/N AND CLASS	QUANTITY	PACKAGE TYPE	PART NO
18*	-	100	LOOSE PIECE, BOX	9-320551-1
20*	-	100	LOOSE PIECE, BOX	8-320551-1
22*	-	100	LOOSE PIECE, BOX	7-320551-1
18*	M7928/1-32 CLASS 2	5000	ON TAPE, REEL	1-320551-8
20*	-	5000	ON TAPE, REEL	1-320551-7
22*	M7928/1-14 CLASS 2	5000	ON TAPE, REEL	1-320551-5
18*	M7928/1-32 CLASS 1 & 2	1000	LOOSE PIECE	1-320551-4
20*	M7928/1-23 CLASS 1 & 2	1000	LOOSE PIECE	1-320551-3
22*	M7928/1-14 CLASS 1 & 2	1000	LOOSE PIECE	1-320551-2

**AMP INCORPORATED**  
**CUSTOMER SERVICE SYSTEMS**

FOR ADDITIONAL PRODUCT INFORMATION OR COPIES OF DRAWINGS AND TECHNICAL DOCUMENTS	PRODUCT INFORMATION CENTER 1-800-522-6752
FOR APPLICATION TOOLING INFORMATION	TOOLING ASSISTANCE CENTER 1-800-722-1111
FOR ORDER ENTRY	1-800-526-5142

MAX RECOMMENDED OPERATING TEMPERATURE: 105°C MAX

VOLTAGE RATING: 300 V MAX

WIRE RANGE:	CIRC MIL AREA:
22	0.38mm <sup>2</sup> [754]
20	0.60mm <sup>2</sup> [1,186]
18	0.96mm <sup>2</sup> [1,900]

SOLID OR STRANDED

THIS DRAWING IS A CONTROLLED DOCUMENT FOR AMP INCORPORATED. IT IS SUBJECT TO CHANGE AND THE CONTROLLING ENGINEERING ORGANIZATION SHOULD BE CONTACTED FOR THE LATEST REVISION.

STAMPING

DO NOT SCALE PRINT. UNLESS SPECIFIED DIMENSIONS IN mm [INCHES] TOLERANCES ON:  
 2 PLC DEC ± 0.20[.008]  
 3 PLC DEC ± -  
 ANGLES ± -

MATERIAL  
 COPPER PER ASTM B-152  
 SLEEVE, RED NYLON

FINISH  
 TIN PLATE  
 PER MIL-T-10727

DR 9/8/93  
 DK SCHRUM  
 CHK 9/8/93  
 RE HERSEY  
 APPD 9/8/93  
 ML ELLIS  
 APPD 9/8/93  
 M BARNABA  
 PRODUCT SPEC  
 UL 486A  
 APPLICATION SPEC  
 NOT AVAILABLE  
 WEIGHT -

AMP AMP Incorporated  
 Harrisburg, PA 17105-3608

NAME  
 TERMINAL, RING TONGUE, I.R.,  
 PIDG™, WIRE SIZE, 22-16 AWG

SIZE	CAGE CODE	DRAWING NO
B	00779	C-320551
SCALE	NTS	SHEET
		2 OF 2