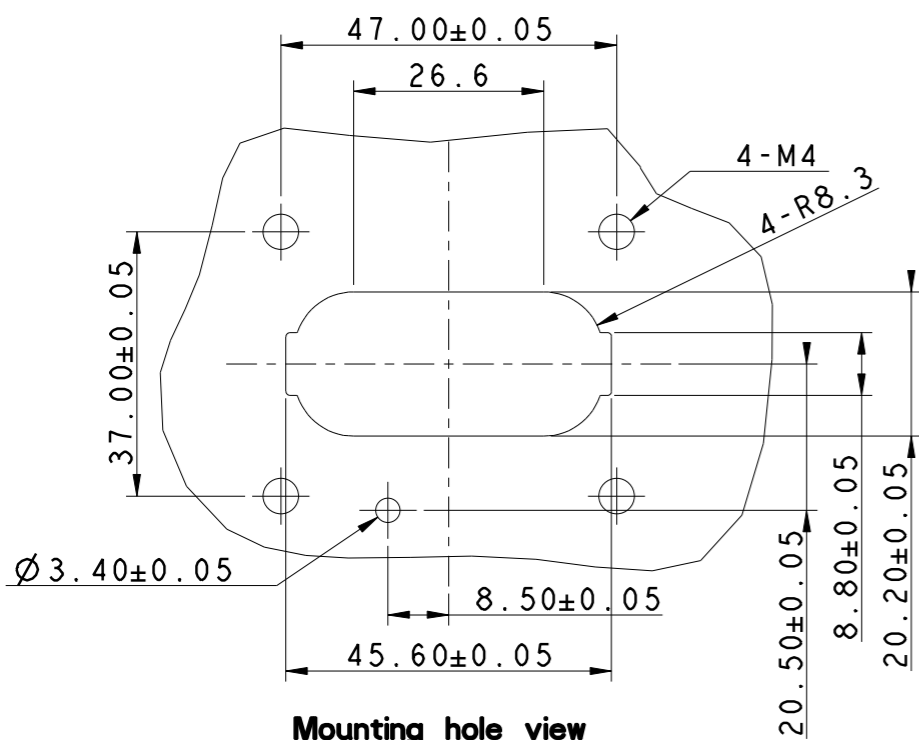
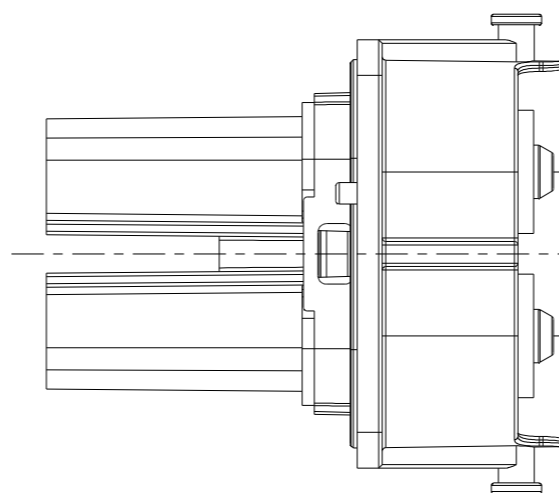
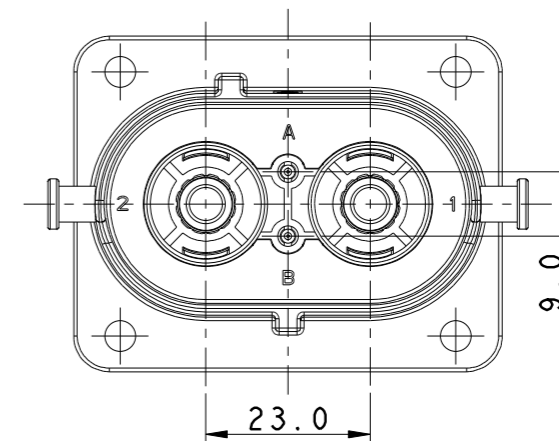
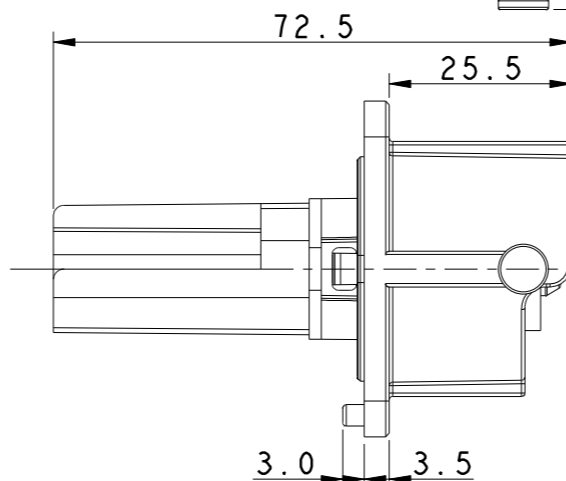
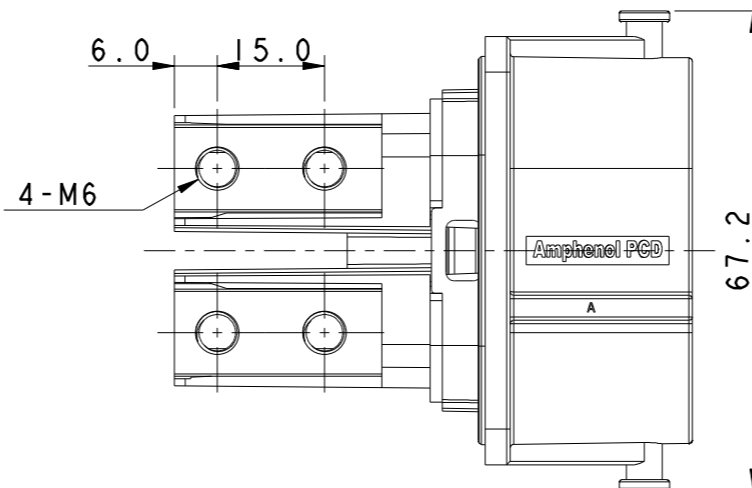
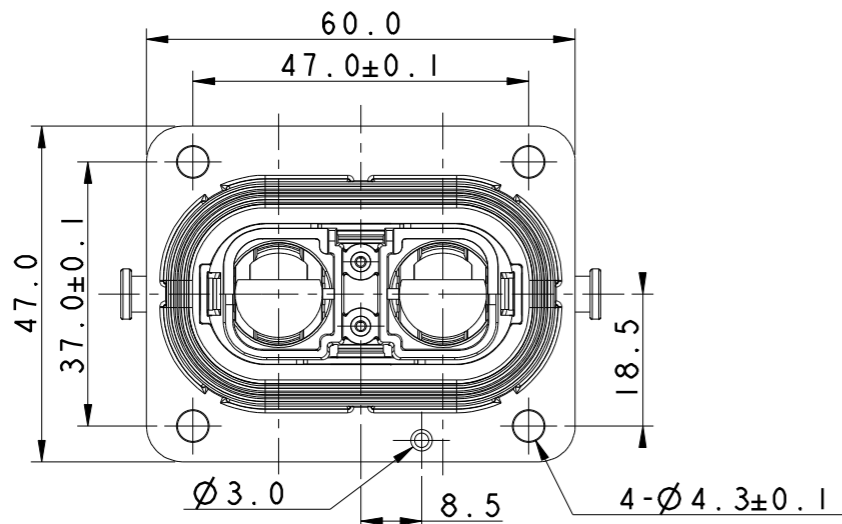


C-HVLS800022XH6-2

REV	ECN	DESCRIPTION	DATE	MODIFIED
1		PRE-RELEASE	Dec-29-16	

CUSTOMER DRAWING



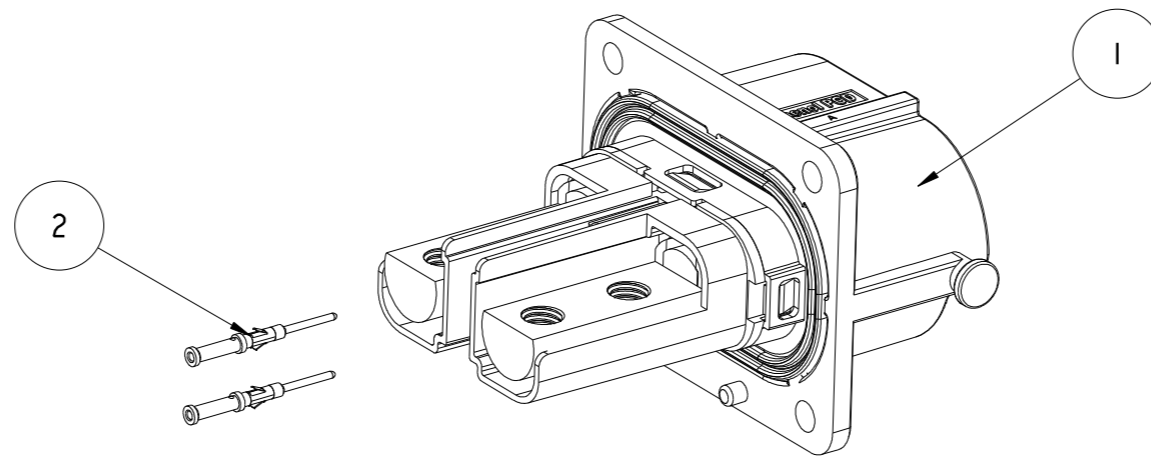
TECHNICAL DATA	
CURRENT RATE 25MM <sup>2</sup> WIRE	120A
CURRENT RATE 35MM <sup>2</sup> WIRE	150A
CURRENT RATE 50MM <sup>2</sup> WIRE	180A
VOLTAGE RATE	1000V DC
OPERRATING TEMPERATURE	-40-125°C
DIELECTRIC WITHSTANDING VOLTAGE	3000V AC
INSULATION RESISTANCE	2000M $\Omega$
DURABILITY	50 CYCLES
SHIELDING	YES
WATERPROOF(MATED CONDITION)	IP67 IP6K9K
CORROSION-PROFF GRADE(SALT FOG TEST)	96 HOURS
AMBIENT TEMPERATURE	-40-70°C

DIMENSIONS	TOLERANCES	PROJECTION	TITLE		
ANSI Y14.5M UNITS: MM Pro/E FILE	.X ±0.5 .XX ±0.30 ANGLES ±0.5°		Amphenol Pcd Shenzhen		
ORIGINAL	THIS DOCUMENT CONTAINS PROPRIETARY INFORMATION WHICH IS THE CONFIDENTIAL PROPERTY OF AMPHENOL PCD SHENZHEN		ENGR Tom Dai	Dec-29-16	
			CHKD		
			APPD		
			SIZE A3	DWG NO. C-HVLS800022XH6-2	REV 1
			CODE: 58982	SCALE: 1:1	SHEET 1 OF 3

C-HVLS800022XH6-2

C-HVLS800022XH6-2

CUSTOMER DRAWING

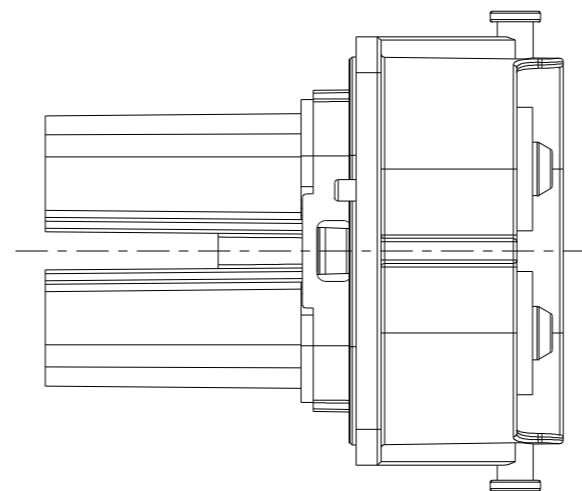
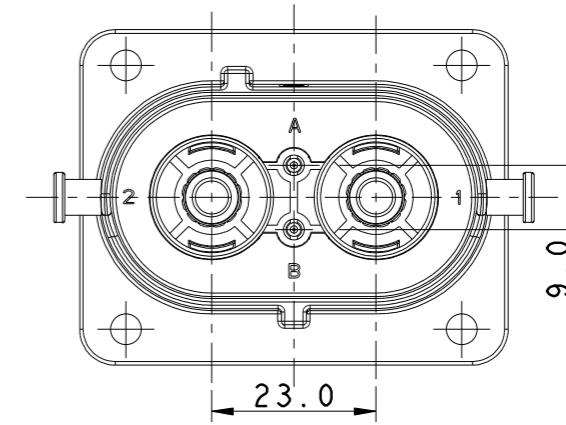
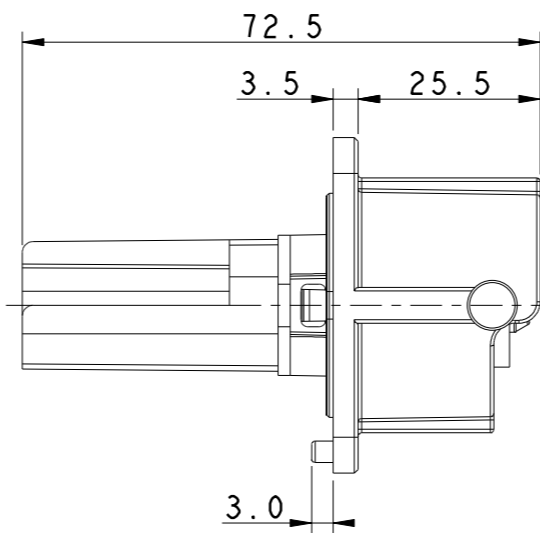
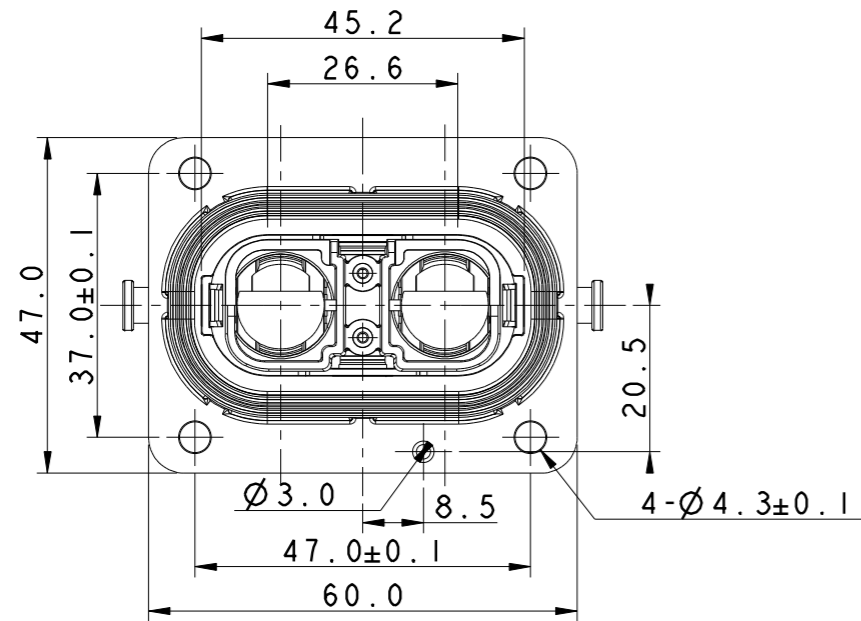
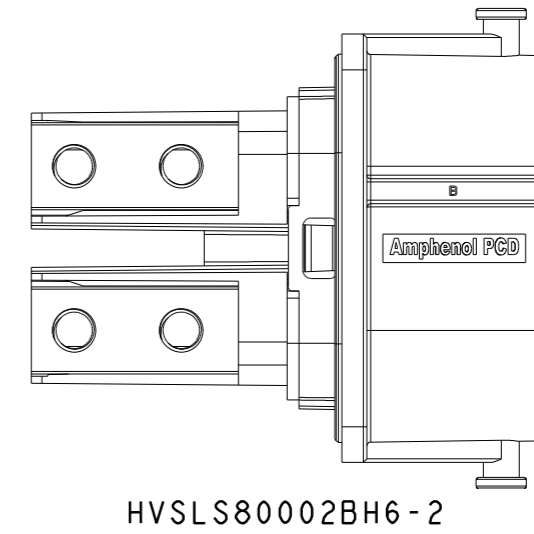
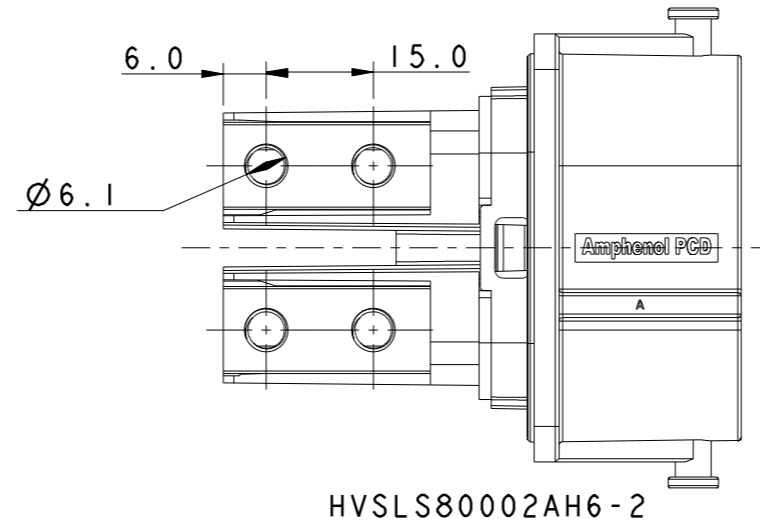


Notes :  
Number 2 assembly for the client

2	C420003643	SINGLE PIN(信号公针)	2	ASSEMBLE
1	HVSL80002XH6-2	ASSEMBLE RECEPTACLE(插座主体)	1	ASSEMBLE
INDEX	P/N	DESCRIPTION	QTY	REMARK

SIZE	DWG NO.	REV
A3	C-HVSL800022XH6-2	1
CODE: 58982	SCALE: 1:1	SHEET 2 OF 3

CUSTOMER DRAWING



C-HVLS800022XH6-2

C-HVLS800022XH6-2

P/N:HVLS80002XH6-2(插座主体)

SIZE <b>A3</b>	DWG NO. C-HVLS800022XH6-2	REV <b>1</b>
CODE: 58982	SCALE: 1:1	SHEET 3 OF 3