

PATLITE's LU5 & LU7 Series signal towers deliver the advantages of superior LED technology, innovative design, and the convenience of modular assembly with only 9 basic modular components to meet just about every indicating need.



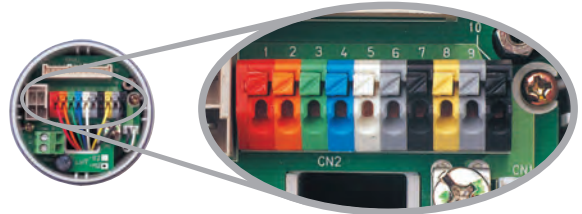
Ultra Bright LEDs combined with an Innovative Prism Lens Design

Allows the light emitted from the signal tower to be seen from greater distances. This also allows for use of a smaller diameter light, reducing the cost of the light tower.



Color-coordinated & Spring-loaded Terminal Block

Makes wiring easy and more reliable compared to screw-type connections. Each color corresponds to the color of the LED module to be used.



Wiring Terminals

Two user-selectable Alarms Integrated in the Base Module

Allows sound to enhance the critical nature of a visual signal, bringing more attention to certain conditions. Also, since the modules are built into the base, up to 5 LED modules can be used on the light tower.



ADJUSTABLE VOLUME

Delivers Sounds up to 90dB (at 1 m)

Alarm can be easily heard over ambient noise.

Modular Design

Makes it easy to configure and assemble a light tower. Modules can be put away before shipping the machine, reducing shipping and crate costs.



Modular Construction

O-rings

Seal out liquids so that the tower achieves an IP65 rating allowing the tower to be used in wet conditions.



IP65 Protection

IP65 & IP66 with Optional Cable Gland

The O-rings seal the tower from liquids so that an IP65 rating can be achieved to allow the tower to be used in wet environments. Adding a Cable Gland (user supplied) the tower's IP rating is increased to IP66.





LU7

Signal Tower



2 Alarm Sounds (FB Type)

IP65

Ø70

NPN/PNP
Open-collector

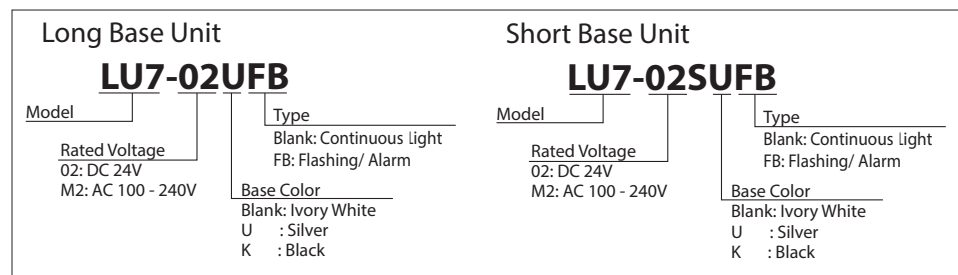
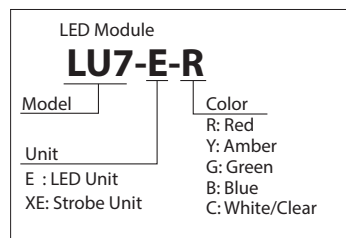


Versatile modular Signal Tower featuring easy assembly and wiring designed for every need.

FEATURES

- PATLITE's exclusive hybrid prism-cut lens designed for enhanced visibility from any direction and distance.
- Two built-in alarms (FB type)
- Adjustable volume of up to 90dB (at 1m).
- Direct mount installation is standard; pole-mount is available with the optional mounting pole.
- Color-coordinated Terminal block corresponding to the lens colors for quick wiring and verification.
- Interchangeable LED Modules requires no re-wiring, even after installation.
- Lens is made of superior impact and heat resistant polycarbonate resin for superior durability and light transmission.
- Available Module Colors are in Red, Amber, Green, Blue, and Clear/White.
- Available Base colors are in Black, Silver and Ivory White.
- Conforms to the CE requirements (for 24V type).
- Is a UL Recognized Component (File No. E215660).
- Product Shipped in a modular style for customer's customized assembly.

How to Order



Specifications (Base)

LU7 Base Units

Model	LU7-02S	LU7-02	LU7-02FB	LU7-02M2	LU7-02M2FB	Unit Color Variation
Rated Voltage	DC 24V			AC 100 to 240V (50/60Hz)		Short Body
Operating Voltage Range	DC 21.6 - 26.4V			AC 90 to 250V (50/60Hz)		Ivory White Silver Black
Alarm	—	Buzzer 1*	Buzzer 2**	—	Buzzer 1* Buzzer 2**	
Current Consumption	—	50±10mA	24±10mA	—	50±10mA 24±10mA	
Power Consumption	—	1.2±0.25W	0.58±0.25W	—	1.8±0.25W 1.3±0.25W	
Sound Level	—	Max: 90±5dB (at 1m) Min: 70dB or less (at 1m)		—	Max: 90±5dB (at 1m) Min: 70dB or less (at 1m)	LU7-02S LU7-02SU LU7-02SK
Flash Cycle	—	60±12 flashes per minute		—	60±12 flashes per minute	Standard Body
Operating Temperature Range	-30°C to +60°C			-25°C to +55°C		
Mounting Direction	Upright, Indoor Only					
Protection Rating	IP65 (IP66 with Cable Gland***)					
Mass (±10%)	150g	250g	280g	310g	340g	
Open Collector	PNP/NPN			NPN		
						LU7-02/M2 LU7-02U/M2U LU7-02K/M2K

*Buzzer 1: Continuous **Buzzer 2: Intermittent ***Cable Gland to be supplied by user

Specifications (Module)

LU7 LED Units*

Model	LU7-E-R	LU7-E-Y	LU7-E-G	LU7-E-B	LU7-E-C
Unit /LED Color	LED Unit Red	LED Unit Amber	LED Unit Green	LED Unit Blue	LED Unit White/Clear
Rated Voltage	DC 24V				
Operating Voltage Range	DC 21.6 - 26.4V				
Current/Power Consumption	52mA/1.25W		42mA/1.0W		
Operating Temperature Range	-30°C to +60°C				
Mass (±10%)	60g				

*Operates on LU7-02, LU7-02FB, LU7-M2 and LU7-M2FB Base Units

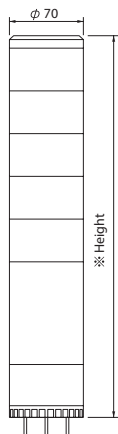
LU7 LED Strobe Units**

Model	LU7-XE-R	LU7-XE-Y	LU7-XE-G	LU7-XE-B	LU7-XE-C
Unit Color	LED Unit Red	LED Unit Amber	LED Unit Green	LED Unit Blue	LED Unit Clear/White
Rated Voltage	DC 24V				
Current Consumption	290mA		140mA	270mA	280mA
Mass (±10%)	70g				

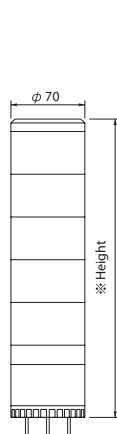
**Operates with LU7-02, LU7-02S, and LU7-02FB bases only. When using with LU7-02FB, the module should be controlled by the continuous common wire.

Dimensions (Unit: mm)

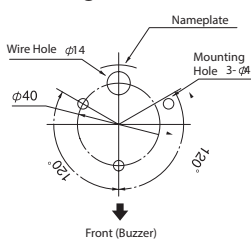
LU7
Standard Body



LU7-02S
Short Body



Mounting Dimensions



Wiring

External Contact Capacity

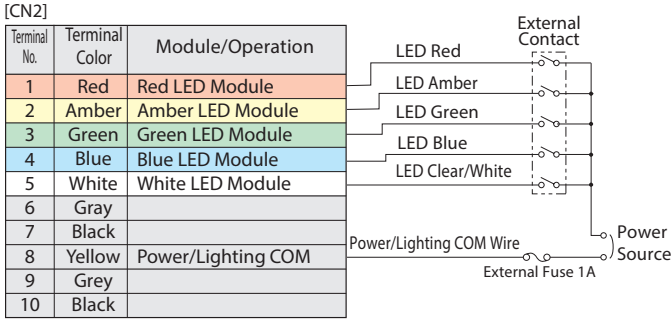
Specifications		DC 24V	AC 100 - 240V
LED Unit (1 Unit)	Current Consumption	Red,Amber: 52mA Green,Blue,White/Clear: 42mA	
	Contact Capacity	$I_s \geq 100\text{mA}$, $V_s \geq \text{AC } 35\text{V}$	
Alarm	Current Consumption	50mA	
	Inrush Current	100mA	
	Contact Capacity	$I_s \geq 100\text{mA}$, $V_s \geq \text{AC } 35\text{V}$	
Power Supply	Current Consumption	360mA	40mA (250VAC) - 110mA (90VAC)
	Contact Capacity	$I_s \geq 500\text{mA}$ $V_s \geq \text{AC } 35\text{V}$	9A (90V) - 25A (250V) $V_s \geq \text{AC } 250\text{V}$

External Contact Fuse

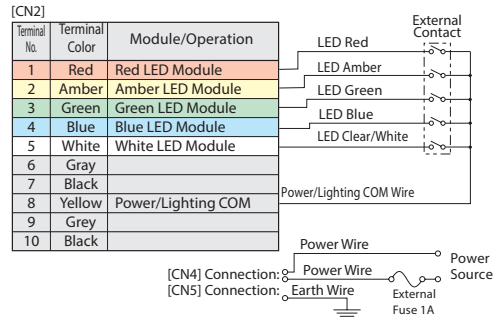
Voltage	Fuse Amperage Rating
All Models	250V, 1A

Wiring (cont.)

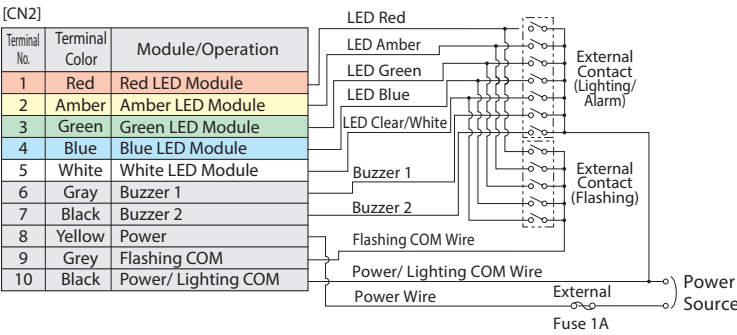
AC/DC 24V Lighting Type



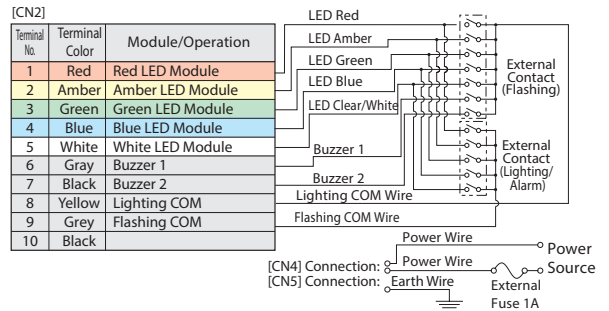
AC Power Lighting Type



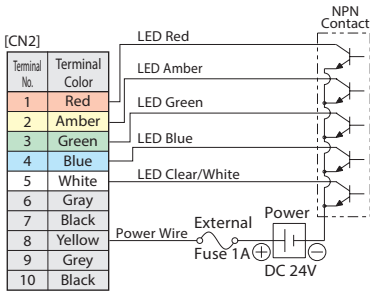
AC/DC 24V Lighting/Flashing Type



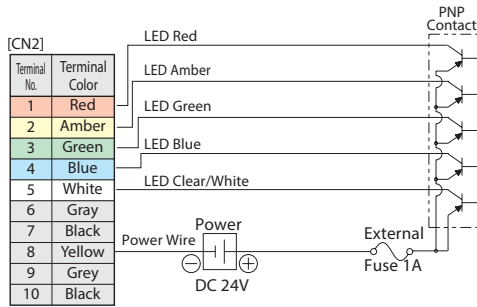
AC Power Lighting/Flashing Type



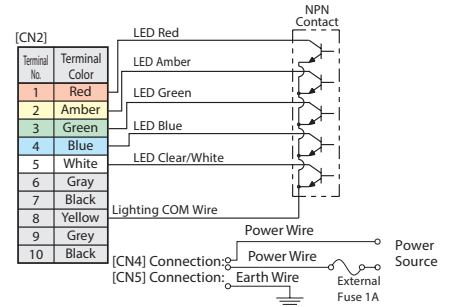
DC 24V NPN Type



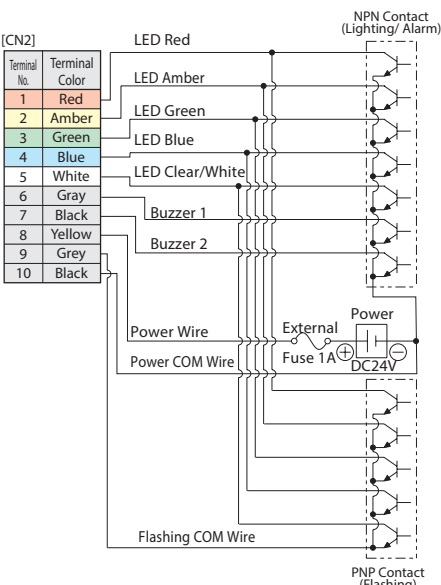
DC 24V PNP Type



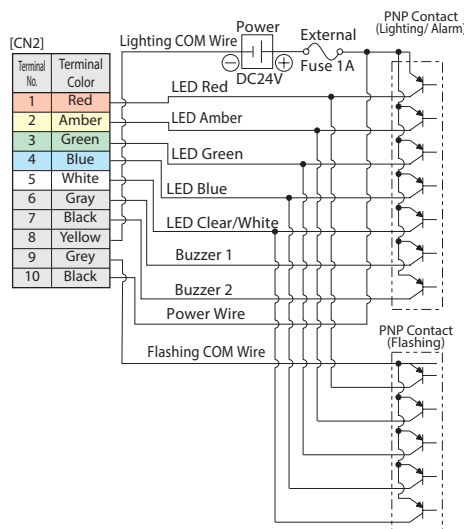
AC Power NPN Type



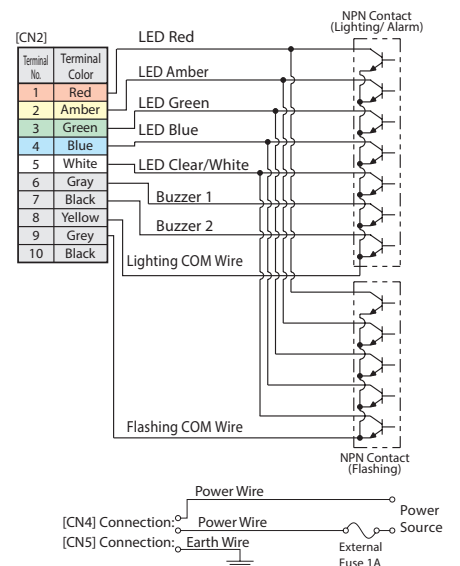
DC 24V NPN FB Type

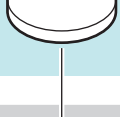
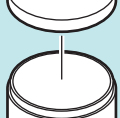
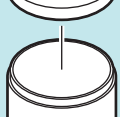
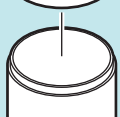
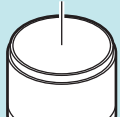
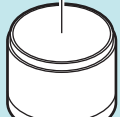
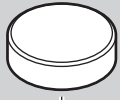


DC 24V PNP FB Type

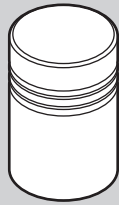


AC Power NPN FB Type





Voice and Alarm Module



Model	LU7-LB	LU7-V1
Type	Alarm Module	Voice Synthesizer Module
Rated Voltage	24V DC	24V DC
Power Consumption	3.6W	3.5W
Mass (±10%)	140g	170g

LED Units



Model	LU7-E-R	LU7-E-Y	LU7-E-G	LU7-E-B	LU7-E-C
Unit Color					
Rated Voltage	24V DC				
Operating Voltage Range	Rated Voltage±10% (21.6 ~ 26.4V)				
Current/Power Consumption	52mA/1.25W		30mA/0.72W		
Operating Temperature Range	-30°C ~ +60°C				
Mass (±10%)	60g				

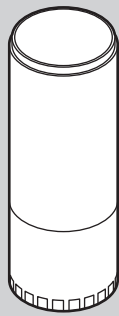
LED Strobe Module



Model	LU7-XE-R	LU7-XE-Y	LU7-XE-G	LU7-XE-B	LU7-XE-C
Unit Color					
Rated Voltage	24V DC				
Power Consumption	290mA	290mA	140mA	270mA	280mA
Mass (±10%)	70g				

RED AMBER GREEN BLUE CLEAR/WHITE

Base Units



Standard Body



Short Body

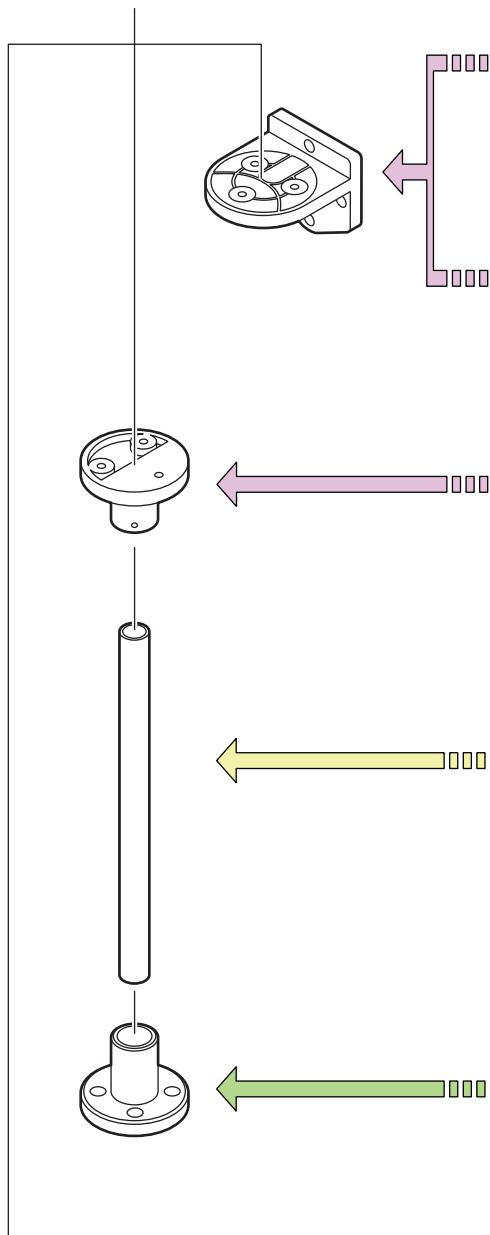
Model	LU7-02S	LU7-02	LU7-02FB	LU7-M2	LU7-M2FB
Color					
Base Type	Short	Standard		Standard	
Rated Voltage	24V DC			90 ~ 250V (50/60Hz)	
Operating Voltage Range	Rated Voltage±10% (21.6 ~ 26.4V)			90 ~ 250V (50/60Hz)	
Alarm	-	*Buzzer 1	**Buzzer 2	-	*Buzzer 1 **Buzzer 2
Current Consumption	-	50±10mA	24±10mA	-	50±10mA 24±10mA
Power Consumption	-	1.2±0.25W	0.58±0.25W	-	1.8±0.25W 1.3±0.25W
Sound Level	-	Max:90±5dB (at 1m) Min:70dB or Less (at 1m)		-	Max:90±5dB (at 1m) Min:70dB or Less (at 1m)
Flashing Cycle	-	60±12 flashes per minute		-	60±12 flashes per minute
Operating Temperature Range	-30°C ~ +60°C			-25°C ~ +55°C	
Mounting Direction	Upright, Indoor only			Upright, Indoor only	
Protection Rating	IP65			IP65	
Mass (±10%)	150g	250g	280g	310g	340g
Open Collector	PNP/NPN			NPN	

* Buzzer 1 : Continuous Sound **Buzzer 2 : Intermittent Sound

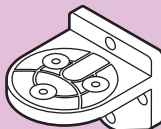
Ivory White Silver (U) Black (K)

Optional Parts

Optional Parts

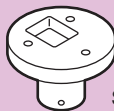


Wall Mount Bracket



Model	SZ-18	SZ-18U	SZ-18K
Color	Ivory White	Silver (U)	Black (K)

Upper Bracket



SZ-50NPT(For 1/2" NPT Pole)

Upper Bracket



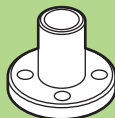
Model	SZ-50-U	SZ-50U-U	SZ-50K-U
Color	Ivory White	Silver (U)	Black (K)

Pole

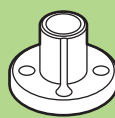


Pole	Length		
	800mm	300mm	100mm
Aluminum Pole			
Model	POLE-800A21	POLE-300A21	POLE-100A21
Steel Pole			
Model	POLE-800S21	POLE-300S21	POLE-100S21
Black Pole			
Model	POLE-800B21	POLE-300B21	POLE-100B21

Mounting Bracket



SZ-016A
(For $\phi 21.7\text{mm}$ Pole)



SZ-70-B
(For $\phi 21.7\text{mm}$ Aluminium Pole Only)

Wall Mount Bracket

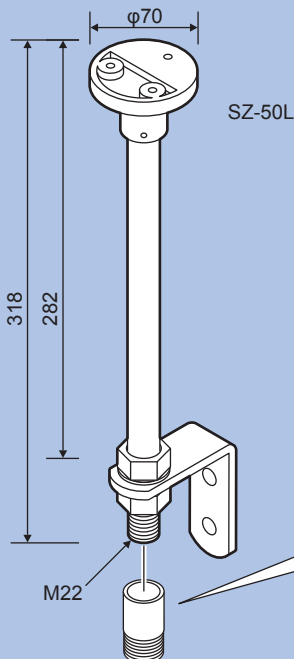
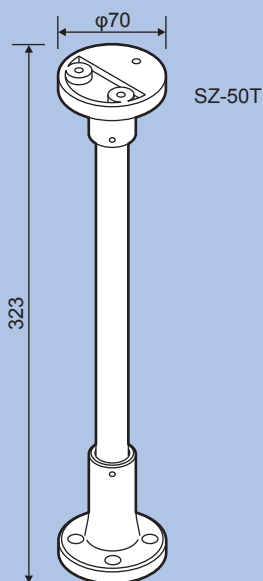


SZ-020
(For $\phi 21.7\text{mm}$ Pole)

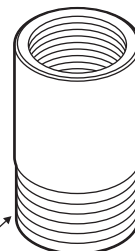


SZ-017
(For $\phi 21.7\text{mm}$ Pole)

Pre-assembled



Adaptor



SZ-904

For 3/4" NPT