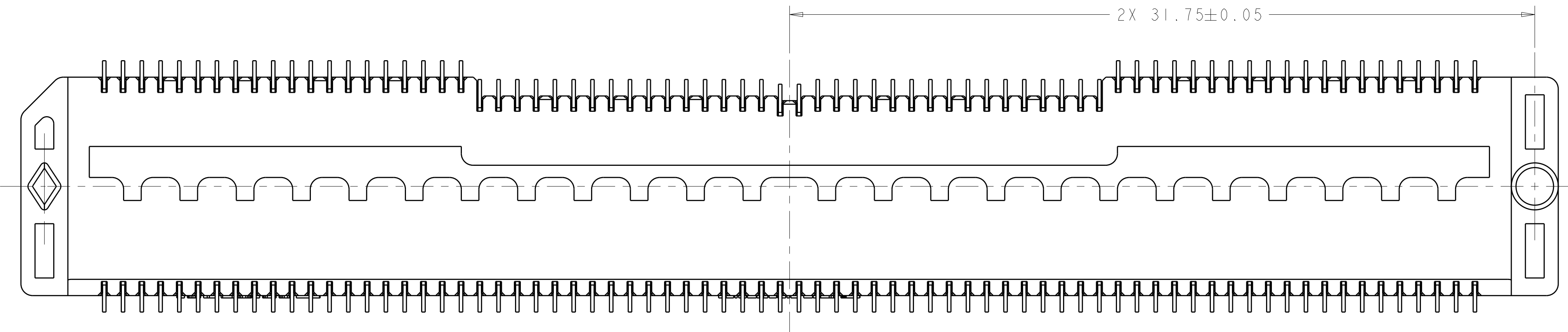
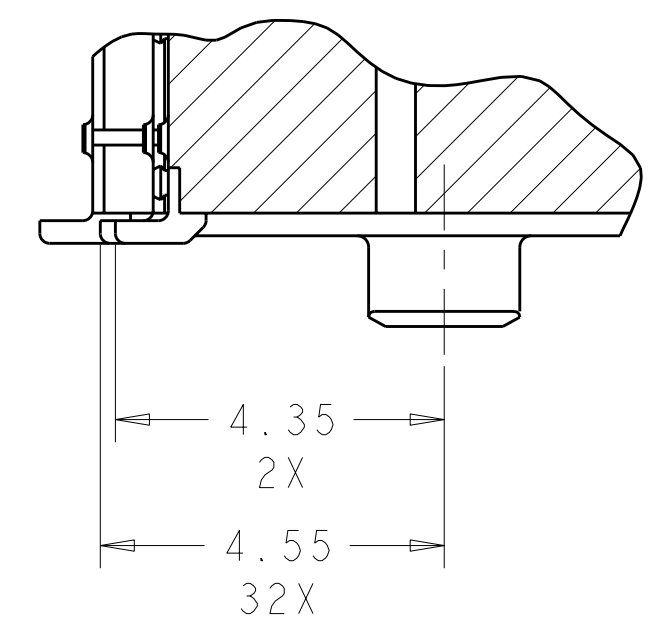
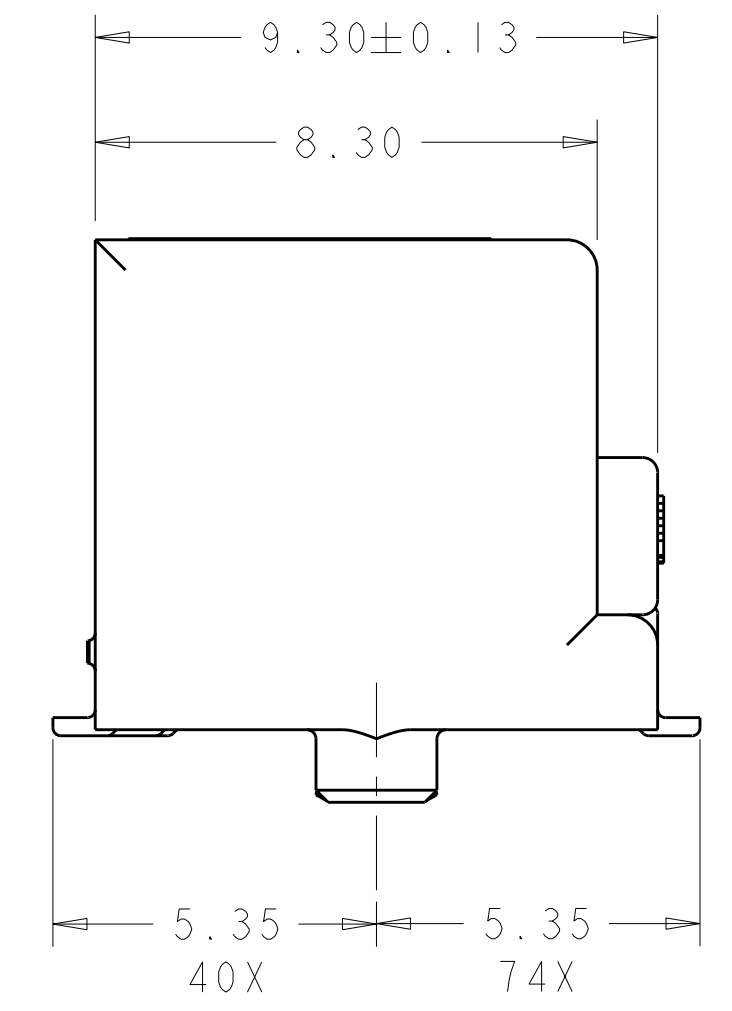
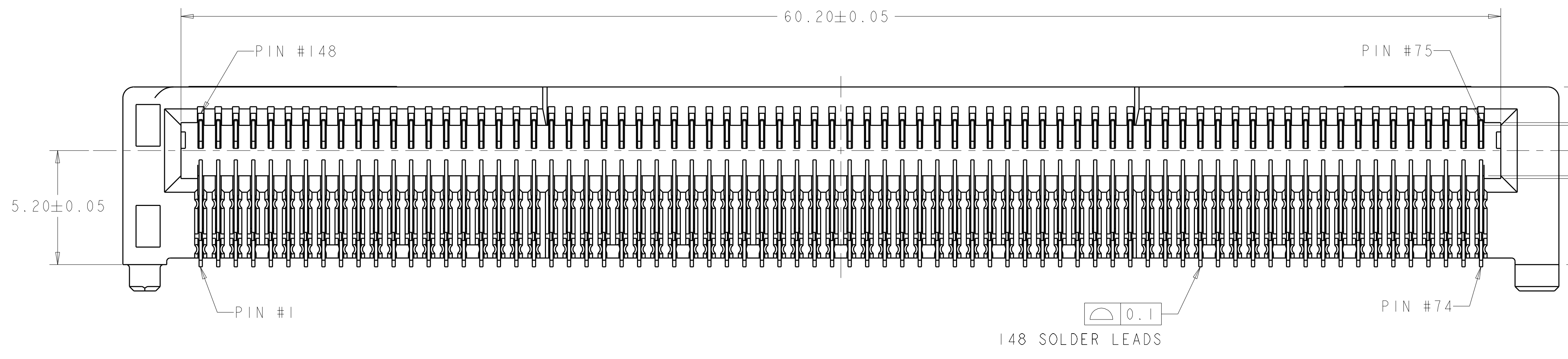
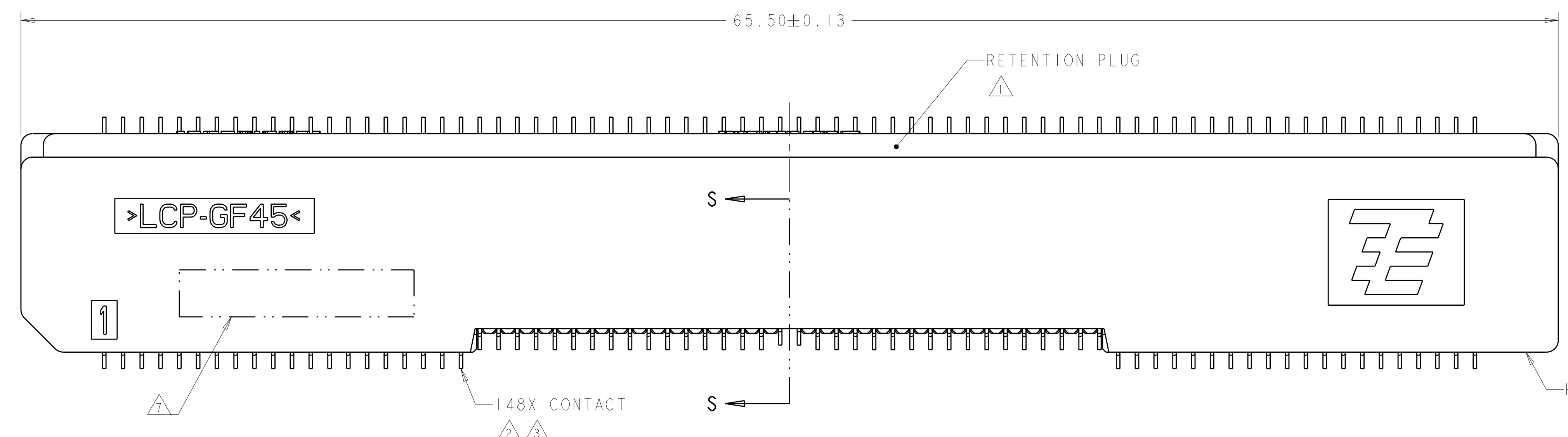


LOC	DIST	REV	DATE	DWN	APVD
-	-	17	18MAR2011	RK	HMR
REVISIONS			DESCRIPTION	DATE	DWN
17			REVISED PER ECO-11-005027	18MAR2011	RK

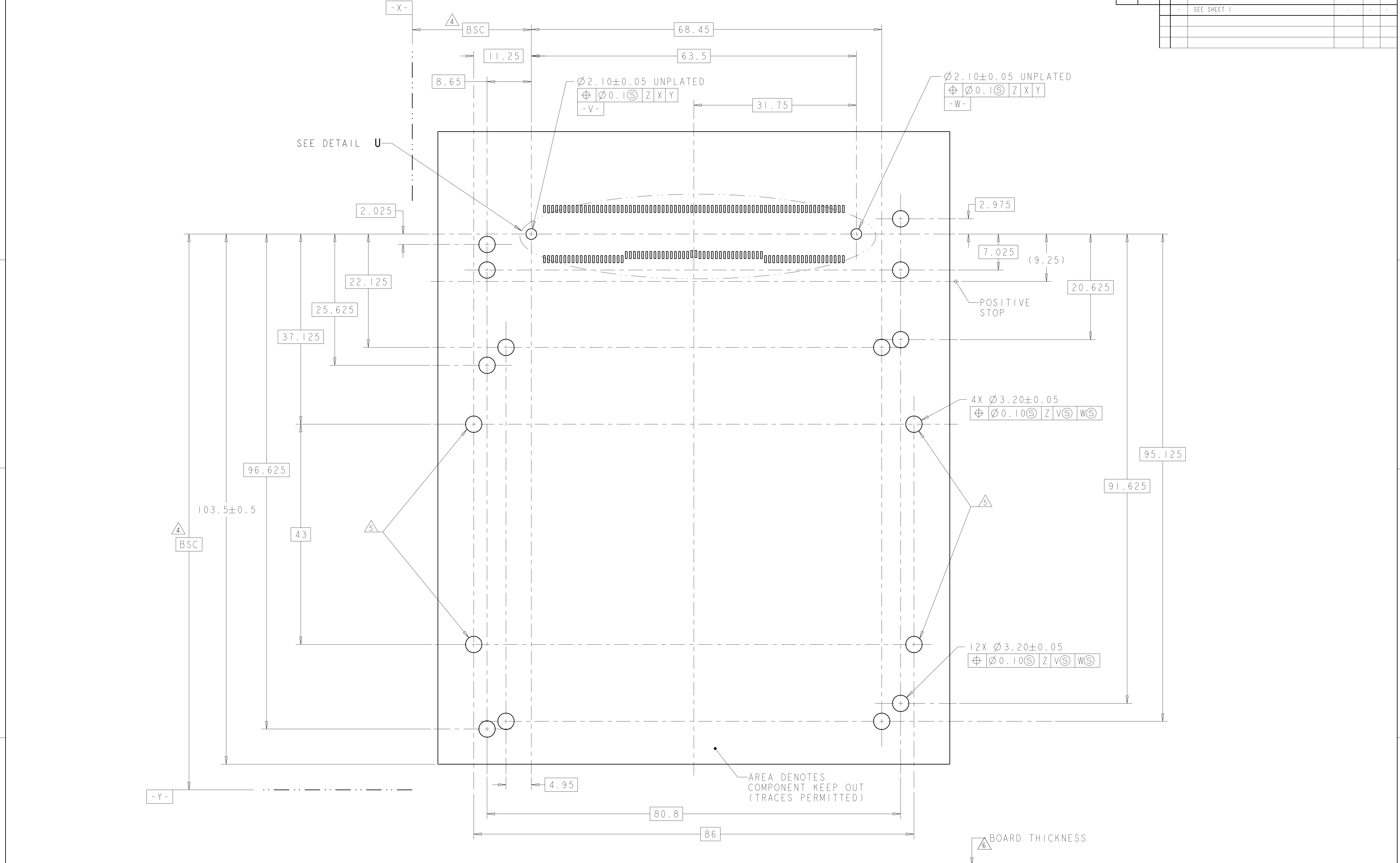
- △ HOUSING AND RETENTION PLUG MATERIAL: POLYESTER LCP.
- △ CONTACT MATERIAL: COPPER ALLOY.
- △ CONTACT FINISH: CONFORMS TO THE REQUIREMENTS OF TE CONNECTIVITY PRODUCT SPECIFICATION 108-2399. BASED ON EIA/ECA-364-1000.01A. (CONTROLLED ENVIRONMENT APPLICATIONS) ON MATING END, TIN PLATED ON SOLDER TAILS.
- △ DATUMS AND BASIC DIMENSIONS ARE TO BE ESTABLISHED BY CUSTOMERS FIDUCIALS.
- △ OPTIONAL HOLES FOR M3x0.5 SCREW/STANDOFFS.
- △ BELLY TO BELLY PCB THICKNESS: 3.40±0.40mm.
- △ PART NUMBER AND DATE CODE MARKED IN APPROXIMATE AREA SHOWN.



2057630-1
 PART NUMBER

THIS DRAWING IS A CONTROLLED DOCUMENT.		DWN P. KERLIN 08NOV2008	TE Connectivity													
DIMENSIONS: mm		CHK E. BRIGHT 08NOV2008	RECEPTACLE ASSEMBLY, HOST, CFP PLUGGABLE													
TOLERANCES UNLESS OTHERWISE SPECIFIED:		APVD	RESTRICTED TO													
<table border="0"> <tr><td>0 PLC</td><td>±</td></tr> <tr><td>1 PLC</td><td>±</td></tr> <tr><td>2 PLC</td><td>±0.10</td></tr> <tr><td>3 PLC</td><td>±</td></tr> <tr><td>4 PLC</td><td>±</td></tr> <tr><td>ANGLES</td><td>±</td></tr> </table>		0 PLC	±	1 PLC	±	2 PLC	±0.10	3 PLC	±	4 PLC	±	ANGLES	±	PRODUCT SPEC	SIZE CAGE CODE DRAWING NO	
0 PLC	±															
1 PLC	±															
2 PLC	±0.10															
3 PLC	±															
4 PLC	±															
ANGLES	±															
MATERIAL SEE NOTES		APPLICATION SPEC	A100779C=2057630													
FINISH SEE NOTES		WEIGHT	SCALE 8:1 SHEET 1 OF 3 REV 17													
		CUSTOMER DRAWING														

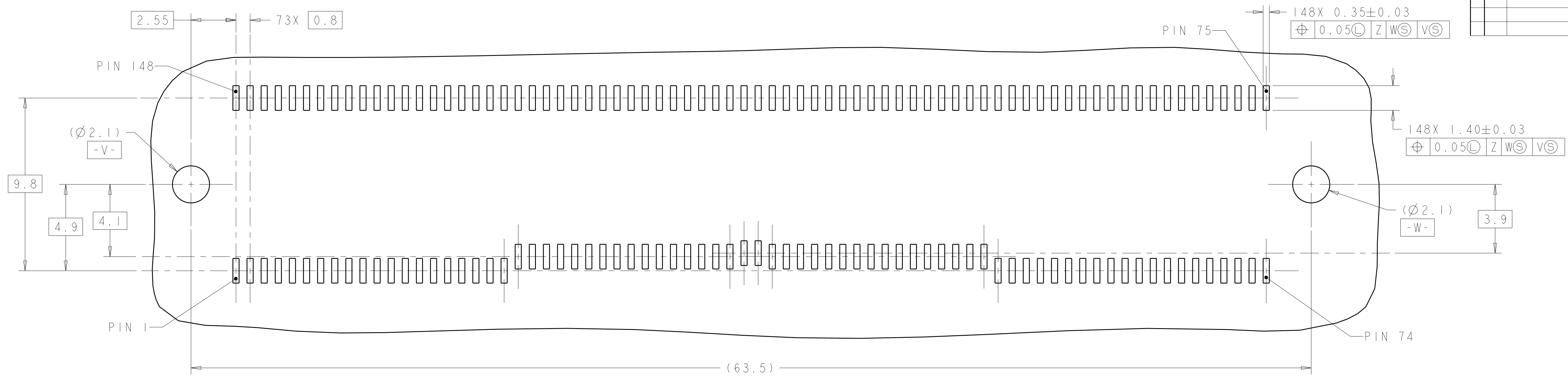
LOC	DIST	REV	DATE	BY	APPROV
-	-	1	SEE SHEET 1	-	-



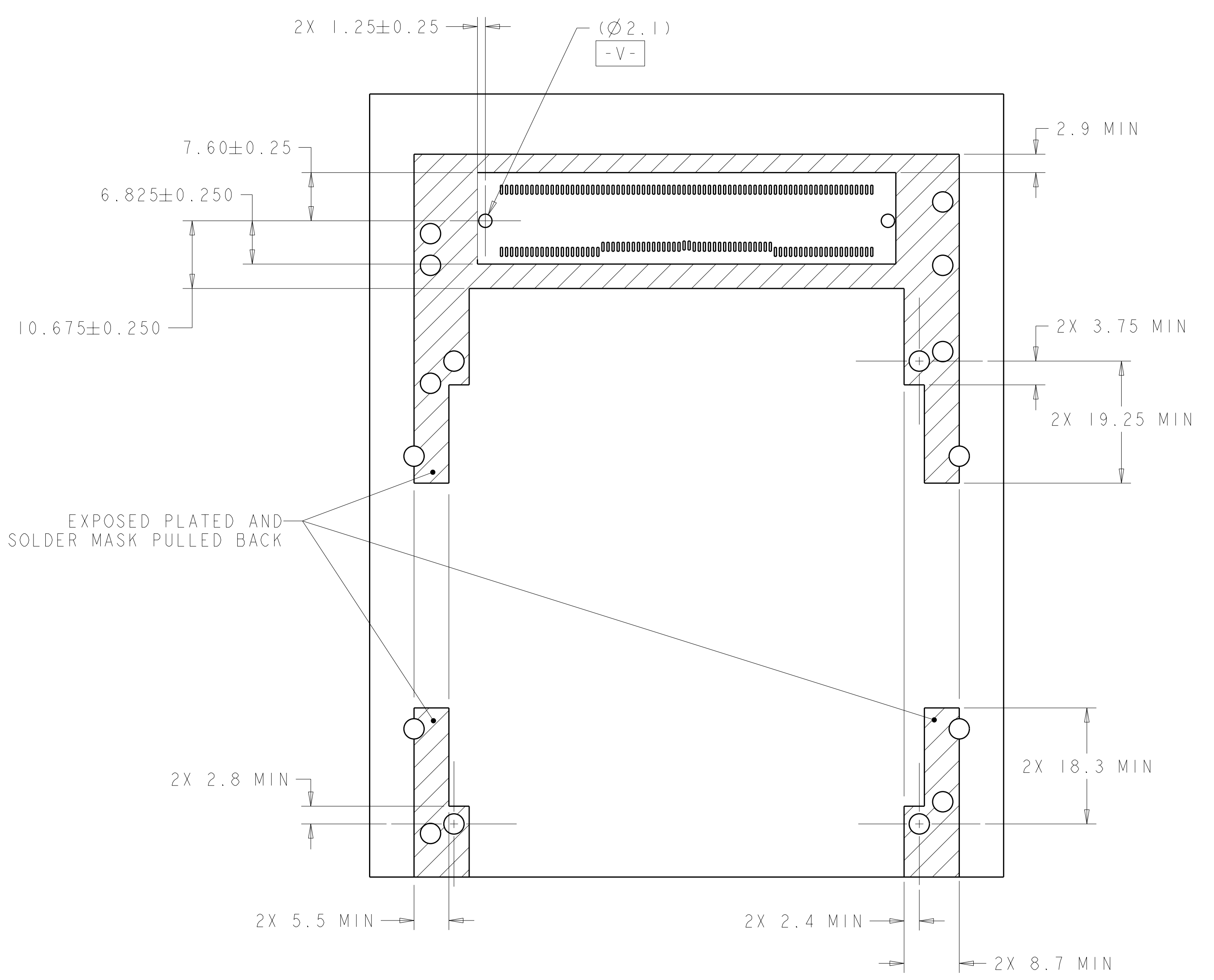
RECOMMENDED PCB LAYOUT FOR SINGLE SIDE MOUNTING
 SCALE 3:1

THIS DRAWING IS A CONTROLLED DOCUMENT.		DWN P. KERLIN 08NOV2008 CHK E. BRIGHT 08NOV2008 APVD -	NAME RECEPTACLE ASSEMBLY, HOST, CFP PLUGGABLE
DIMENSIONS: mm 	TOLERANCES UNLESS OTHERWISE SPECIFIED: 9 PLC ± 8 PLC ±0.10 5 PLC ± 4 PLC ± ANGLES ±	PRODUCT SPEC APPLICATION SPEC WEIGHT CUSTOMER DRAWING	SIZE CAGE CODE DRAWING NO A100779C=2057630 RESTRICTED TO
MATERIAL SEE NOTES		FINISH SEE NOTES SCALE 8:1 SHEET 2 OF 3 REV 17	

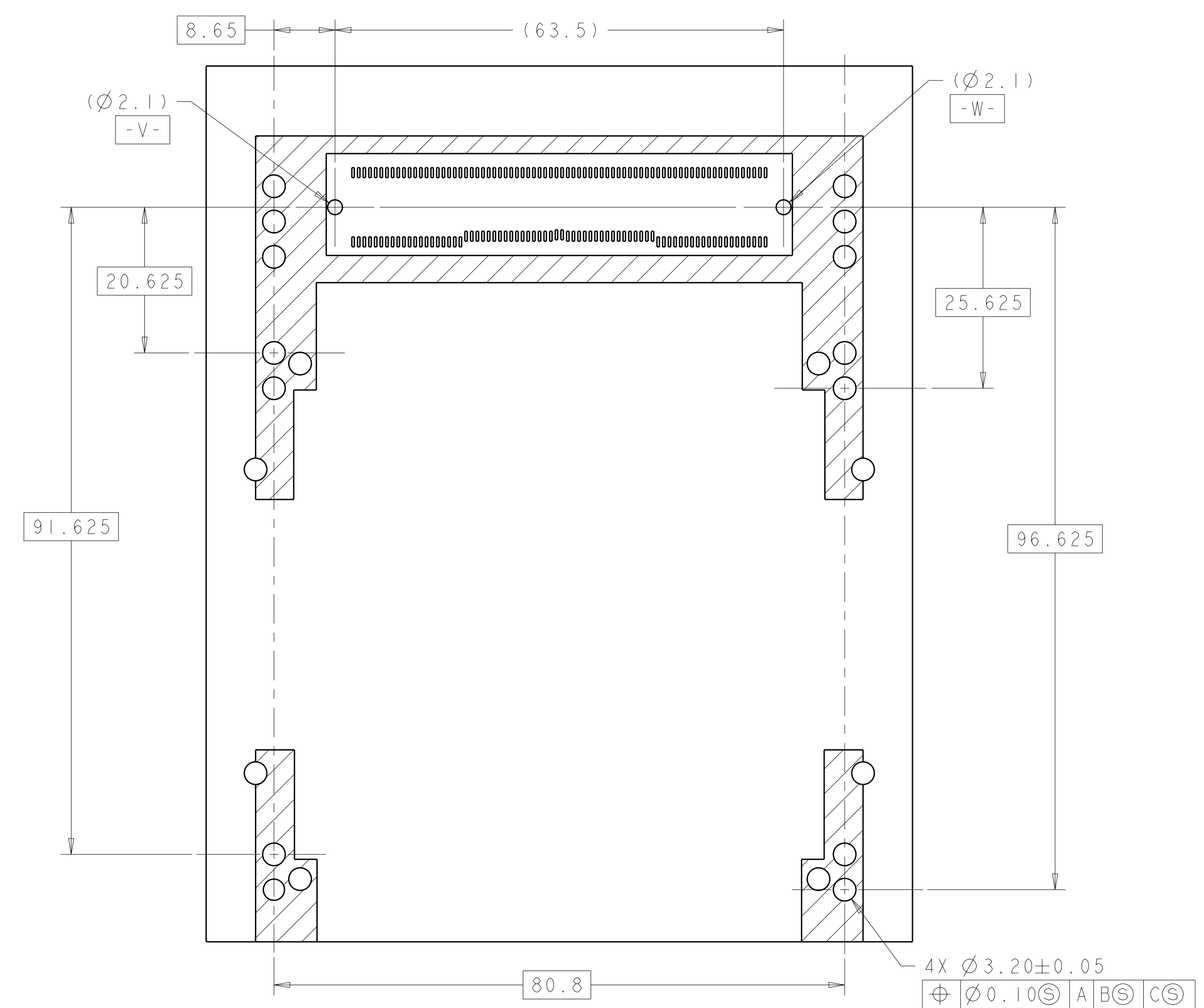
LOC	DIST	REV	DATE	BY	APVD
-	-	1	-	-	-
REVISIONS			DESCRIPTION	DATE	DWN
-			SEE SHEET 1	-	-



DETAIL U
 RECOMMENDED HOST CONNECTOR PCB LAYOUT
 SCALE 8:1



RECOMMENDED COMPONENT AND TRACE KEEPOUT AREA
 SCALE 2:1



RECOMMENDED PCB LAYOUT FOR BELLY TO BELLY MOUNT,
 SAME AS SINGLE SIDE MOUNT EXCEPT AS SHOWN
 SCALE 2:1

THIS DRAWING IS A CONTROLLED DOCUMENT.		DWN P. KERLIN 08NOV2008	TE Connectivity
DIMENSIONS: mm		CHK E. BRIGHT 08NOV2008	
TOLERANCES UNLESS OTHERWISE SPECIFIED:		APVD -	NAME
9 PLC ± 3 PLC ±0.10 5 PLC ± 4 PLC ± ANGLES ±		PRODUCT SPEC	RECEPTACLE ASSEMBLY, HOST, CFP PLUGGABLE
MATERIAL SEE NOTES		FINISH SEE NOTES	APPLICATION SPEC
		WEIGHT	SIZE CAGE CODE DRAWING NO. RESTRICTED TO
		CUSTOMER DRAWING	A100779C=2057630
		SCALE 8:1	SHEET 3 OF 3 REV 17