

Inscription plate for illuminated pushbutton, round, milky with black font, with inscription: Right



Product brand name	SIRIUS ACT
Product designation	Insert label
Product type designation	3SU1

**General technical data**

Shock resistance	Category 1, Class B
<ul style="list-style-type: none"> <li>for railway applications acc. to DIN EN 61373</li> </ul>	

**Accessories**

Material of accessory	Plastic
Mounting type of label	insert
Marking of inscription plate	Right
Shape of inscription plate	Round
Color of inscription plate	milky/black (label/lettering)

**Certificates/approvals**

General Product Approval	Declaration of Conformity	Test Certificates
--------------------------	---------------------------	-------------------



[Miscellaneous](#)

[Type Test Certificates/Test Report](#)

### Marine / Shipping



### other

[Confirmation](#)

### Further information

**Information- and Downloadcenter (Catalogs, Brochures,...)**

<http://www.siemens.com/industrial-controls/catalogs>

**Industry Mall (Online ordering system)**

<https://mall.industry.siemens.com/mall/en/en/Catalog/product?mlfb=3SU1900-0AB71-0AH0>

**Cax online generator**

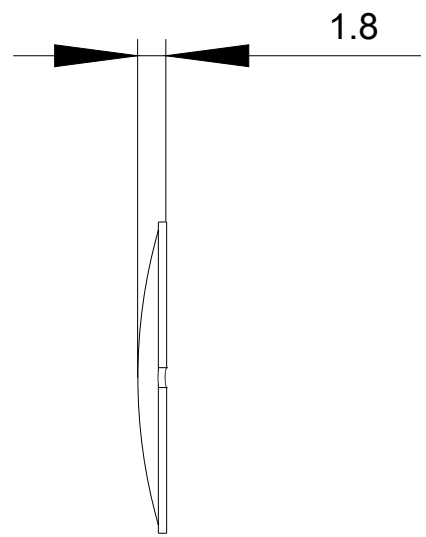
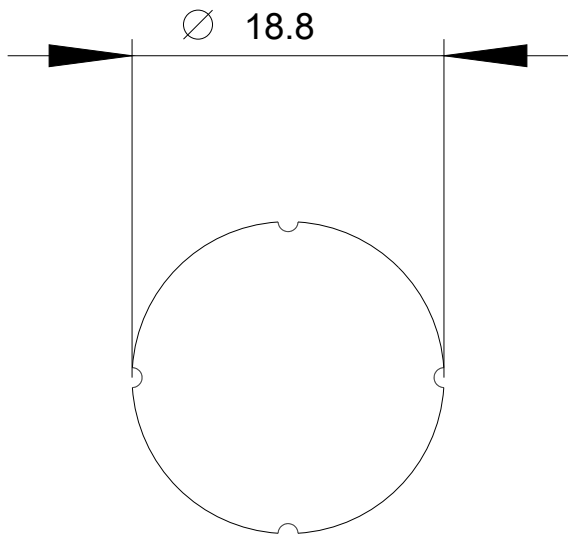
<http://support.automation.siemens.com/WW/CAXorder/default.aspx?lang=en&mlfb=3SU1900-0AB71-0AH0>

**Service&Support (Manuals, Certificates, Characteristics, FAQs,...)**

<https://support.industry.siemens.com/cs/ww/en/ps/3SU1900-0AB71-0AH0>

**Image database (product images, 2D dimension drawings, 3D models, device circuit diagrams, EPLAN macros, ...)**

[http://www.automation.siemens.com/bilddb/cax\\_de.aspx?mlfb=3SU1900-0AB71-0AH0&lang=en](http://www.automation.siemens.com/bilddb/cax_de.aspx?mlfb=3SU1900-0AB71-0AH0&lang=en)



last modified:

09/05/2019