



CABLE CONDUIT & CABLE CONDUIT CONNECTORS

FEATURES

- Flexible Conduit Material
- Multiple Color Options
- RoHS & CE Compliant
- Multilayer
- Secure Locking Mechanism on Connectors
- Multiple Flammability Options
- UV-Stabilized
- Different Material Options
- Compact Design Offering Cost, Weight, and Space Savings

TE Connectivity's cable conduit is a high-performance solution for routing and protecting electrical wiring across industrial, commercial, and residential applications. Designed to safeguard cables from physical damage, moisture, dust, and chemicals, it enhances safety, system reliability, and longevity.

Cable conduits are a critical link between electrical infrastructure and operational reliability. They protect wiring systems from environmental hazards, mechanical damage, electromagnetic interference, and chemical exposure, while ensuring compliance with stringent safety standards.

BENEFITS

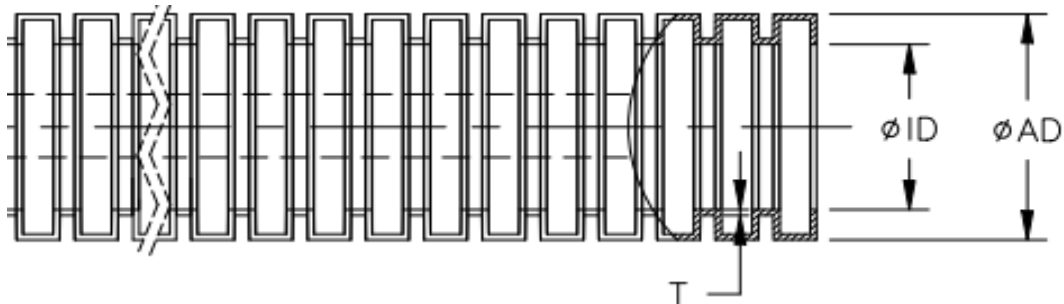
- Flexible design reduces installation time and labor costs
- Clear color coding simplifies identification, maintenance, and troubleshooting
- Suitable for outdoor use with high ingress and UV protection
- Compatible across Asia and Europe, simplifying exports and sourcing
- Easy installation and maintenance with double-layer open-bellows design
- Strong, vibration-resistant connections maintain system integrity
- Multiple flammability options for application-specific safety
- Choice of materials (PA6 or PP) balances performance and cost
- Compact design saves space, weight, and project costs
- Long-term durability ensures reliable performance in harsh environments

Cable Conduit & Cable Conduit Connectors

PA CONDUIT - TECHNICAL DETAILS

- Material: PA 6
- Flammability Rating : UL94 V0
- RoHS, CE, UV Resistant
- Operating temperature: -40°C to +125°C

TEPN			DESCRIPTION			CONDUIT SIZE (AD NOM.)	ØID	ØAD	T	BENDING RADIUS REF	PKG QTY (m)
BLACK	ORANGE	GREY	BLACK	ORANGE	GREY						
2500180-1	1-2500180-2	2-2500180-3	CC,PA6, AD11.5,BLK	CC,PA6, AD11.5,ORG	CC,PA6, AD11.5,GRY	11.5	8.6	11.7	0.3	15	50
2500180-2	1-2500180-3	2-2500180-4	CC,PA6, AD13,BLK	CC,PA6, AD13,ORG	CC,PA6, AD13,GRY	13	10.2	13.1	0.3	20	50
2500180-3	1-2500180-4	2-2500180-5	CC,PA6, AD15.8,BLK	CC,PA6, AD15.8,ORG	CC,PA6, AD15.8,GRY	15.8	12.2	16	0.3	30	50
2500180-4	1-2500180-5	2-2500180-6	CC,PA6, AD18.5,BLK	CC,PA6, AD18.5,ORG	CC,PA6, AD18.5,GRY	18.5	14.5	18.7	0.35	40	50
2500180-5	1-2500180-6	2-2500180-7	CC,PA6, AD21.2,BLK	CC,PA6, AD21.2,ORG	CC,PA6, AD21.2,GRY	21.2	17	21.2	0.35	45	50
2500180-6	1-2500180-7	2-2500180-8	CC,PA6, AD23.5,BLK	CC,PA6, AD23.5,ORG	CC,PA6, AD23.5,GRY	23.5	19	23.5	0.35	50	50
2500180-7	1-2500180-8	2-2500180-9	CC,PA6, AD25,BLK	CC,PA6, AD25,ORG	CC,PA6, AD25,GRY	25	20.5	25	0.4	50	50
2500180-8	1-2500180-9	3-2500180-0	CC,PA6, AD28.5,BLK	CC,PA6, AD28.5,ORG	CC,PA6, AD28.5,GRY	28.5	23.2	28.5	0.4	55	50
2500180-9	2-2500180-0	3-2500180-1	CC,PA6, AD34.5,BLK	CC,PA6, AD34.5,ORG	CC,PA6, AD34.5,GRY	34.5	29	34.5	0.4	65	50
1-2500180-0	2-2500180-1	3-2500180-2	CC,PA6, AD42.5,BLK	CC,PA6, AD42.5,ORG	CC,PA6, AD42.5,GRY	42.5	36	42.5	0.45	70	50
1-2500180-1	2-2500180-2	3-2500180-3	CC,PA6, AD54.5,BLK	CC,PA6, AD54.5,ORG	CC,PA6, AD54.5,GRY	54.5	48	54.5	0.5	80	25

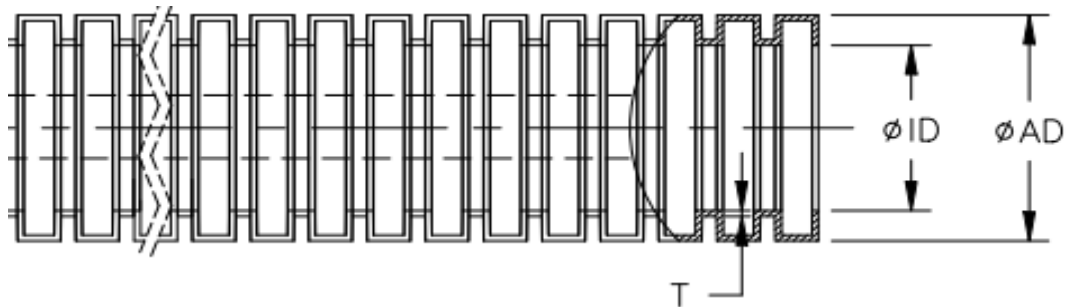


Cable Conduit & Cable Conduit Connectors

PP CONDUIT - TECHNICAL DETAILS

- Material: PP
- Flammability Rating : UL94 HB
- RoHS, CE, UV Resistant
- Operating temperature: -40°C to +105°C

TEPN		DESCRIPTION		CONDUIT SIZE (AD NOM.)	ØID	ØAD	T	BENDING RADIUS REF	PKG QTY (m)
BLACK	GREY	BLACK	GREY						
2500181-1	1-2500181-2	CC,PP,AD11.5,BLK	CC,PP,AD11.5,GRY	11.5	8.6	11.7	0.3	15	50
2500181-2	1-2500181-3	CC,PP,AD13,BLK	CC,PP,AD13,GRY	13	10.2	13	0.3	20	50
2500181-3	1-2500181-4	CC,PP,AD15.8,BLK	CC,PP,AD15.8,GRY	15.8	12.2	16	0.3	30	50
2500181-4	1-2500181-5	CC,PP,AD18.5,BLK	CC,PP,AD18.5,GRY	18.5	14.5	18.7	0.35	40	50
2500181-5	1-2500181-6	CC,PP,AD21.2,BLK	CC,PP,AD21.2,GRY	21.2	17	21.2	0.35	45	50
2500181-6	1-2500181-7	CC,PP,AD23.5,BLK	CC,PP,AD23.5,GRY	23.5	19	23.5	0.4	50	50
2500181-7	1-2500181-8	CC,PP,AD25,BLK	CC,PP,AD25,GRY	25	20.5	25	0.4	50	50
2500181-8	1-2500181-9	CC,PP,AD28.5,BLK	CC,PP,AD28.5,GRY	28.5	23.4	28.5	0.4	55	50
2500181-9	2-2500181-0	CC,PP,AD34.5,BLK	CC,PP,AD34.5,GRY	34.5	29	34.5	0.4	65	50
1-2500181-0	2-2500181-1	CC,PP,AD42.5,BLK	CC,PP,AD42.5,GRY	42.5	36	42.5	0.45	70	50
1-2500181-1	2-2500181-2	CC,PP,AD54.5,BLK	CC,PP,AD54.5,GRY	54.5	48	54.5	0.5	80	25

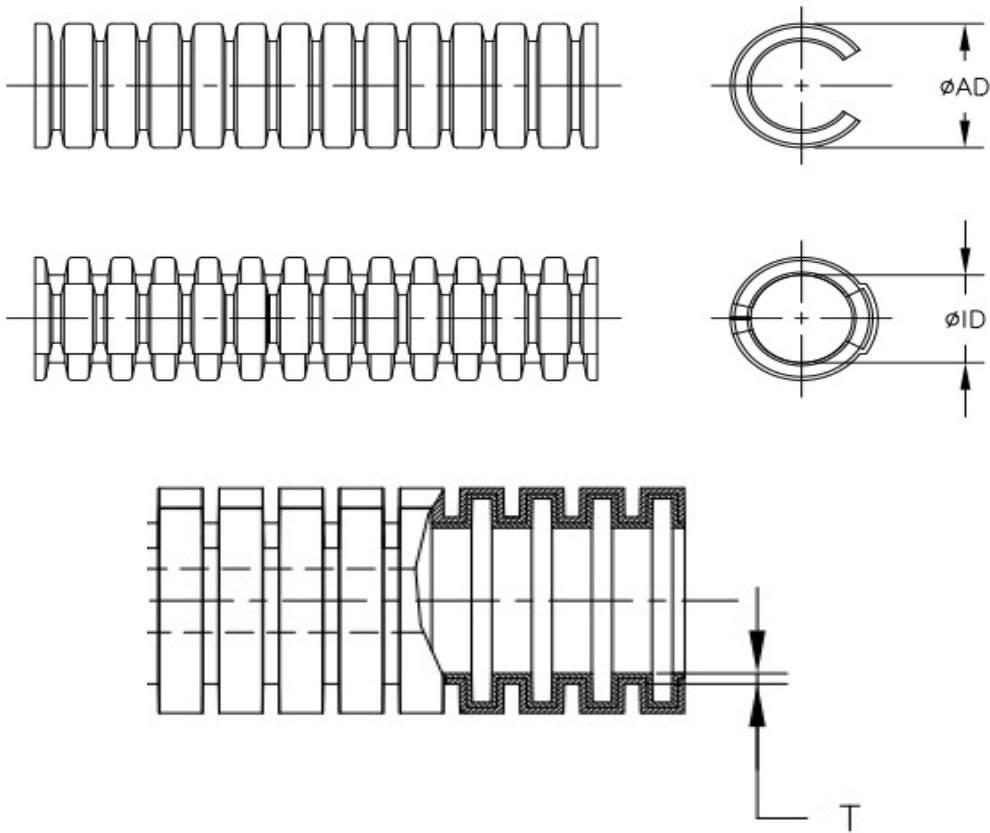


Cable Conduit & Cable Conduit Connectors

PA DOUBLE CONDUIT - TECHNICAL DETAILS

- Material: PA 6
- Flammability Rating : UL94 V0
- RoHS, CE, UV Resistant
- Operating temperature: -40°C to +125°C

TEPN	DESCRIPTION	CONDUIT SIZE (AD NOM.)	ØID	ØAD	T Min	Min BENDING RADIUS REF	PKG QTY (m)
BLACK	BLACK						
2500182-1	CC,SPLIT,PA6,AD13,BLK	13	9.4	14.2	0.15	30	50
2500182-2	CC,SPLIT,PA6,AD18,BLK	18	13.7	19.4	0.2	40	50
2500182-3	CC,SPLIT,PA6,AD21,BLK	21	16.3	22.3	0.2	45	50
2500182-4	CC,SPLIT,PA6,AD25,BLK	25	20.5	27.5	0.25	60	50
2500182-5	CC,SPLIT,PA6,AD28,BLK	28	23.3	30.5	0.25	70	50
2500182-6	CC,SPLIT,PA6,AD34,BLK	34	27.4	36	0.25	100	50



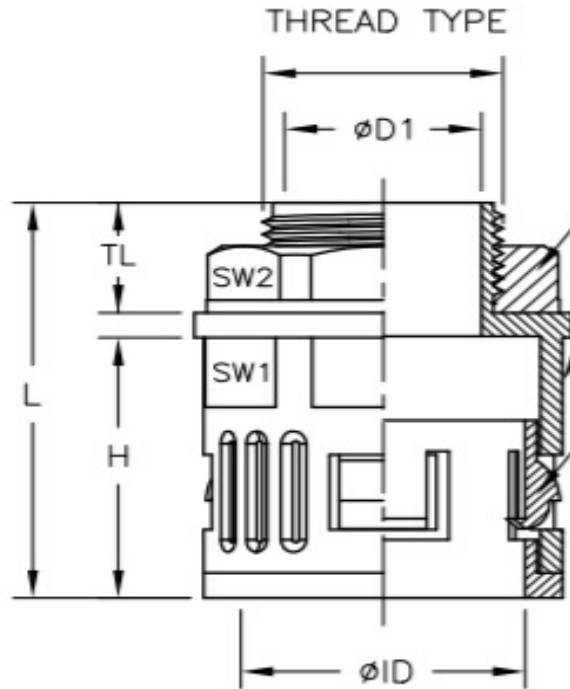
Cable Conduit & Cable Conduit Connectors

QUICK COUPLING CONN - TECHNICAL DETAILS

- Material:
Nut, Body & Connector Jacket : PA 6
- Colour : Black
- Flammability Rating : UL94 V0
- RoHS, CE
- Operating temperature: -20°C to +100°C

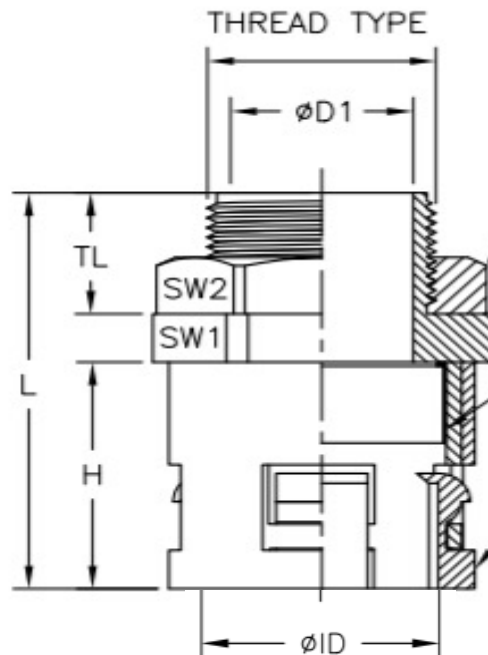
TEPN	DESCRIPTION	THREAD TYPE	FITTING CONDUIT SIZE (AD NOM.)	TL	H	L	øID	øD1	SW1	SW2	PKG QTY
2500400-1	CC CONN,QC, PA6,M12,13,BLK	M12X1.5	13	10.2	23	35.6	13.8	8	17.9	18.1	50
2500400-2	CC CONN,QC, PA6,M16,15.8,BLK	M16X1.5	15.8	12.8	25.3	40.5	16.6	11.6	21.3	22.2	50
2500400-3	CC CONN,QC, PA6,M20,18.5,BLK	M20X1.5	18.5	12.8	26.2	41.5	19.4	15.5	24	27.2	50
2500400-4	CC CONN,QC, PA6,M20,21.2,BLK	M20X1.5	21.2	13.3	28.4	44.6	22.4	15.5	26.8	27.2	50
2500400-5	CC CONN,QC, PA6,M25,25,BLK	M25X1.5	25	13.8	30.3	47	25.9	20.4	29.9	33.5	50
2500400-6	CC CONN,QC, PA6,M25,28.5,BLK	M25X1.5	28.5	13.5	31.1	47.6	29.6	20.4	33.8	33.5	50
2500400-7	CC CONN,QC, PA6,M32,34.5,BLK	M32X1.5	34.5	15	33.6	51.6	35.7	26.5	39.6	41.2	25
2500400-8	CC CONN,QC, PA6,M42,42.5,BLK	M40X1.5	42.5	15.3	36	54.4	44.4	34.8	49.1	52.4	25
2500400-9	CC CONN,QC, PA6,M50,54.5,BLK	M50X1.5	54.5	16.1	35	54	56.1	42.8	62.2	62.7	25
1-2500400-0	CC CONN,QC, PA6,PG9,13,BLK	PG9	13	10.2	23	35.7	13.8	11	17.9	22.3	50
1-2500400-1	CC CONN,QC, PA6,PG11,15.8,BLK	PG11	15.8	12.8	25.4	40.6	16.6	14.2	21.3	24.3	50
1-2500400-2	CC CONN,QC, PA6,PG13.5,18.5,BLK	PG13.5	18.5	12.9	26.3	41.6	19.4	16	24	27.2	50
1-2500400-3	CC CONN,QC, PA6,PG16,21.2,BLK	PG16	21.2	13.3	28.6	44.9	22.4	18	26.8	30.3	50
1-2500400-4	CC CONN,QC, PA6,PG21,25,BLK	PG21	25	13.2	30.4	46.7	25.9	23	29.9	36.5	50
1-2500400-5	CC CONN,QC, PA6,PG21,28.5,BLK	PG21	28.5	13.4	31.2	47.6	29.6	23.9	33.9	36.5	50
1-2500400-6	CC CONN,QC, PA6,PG29,34.5,BLK	PG29	34.5	15.3	33.8	52	35.7	31.9	40.2	46.5	25
1-2500400-7	CC CONN,QC, PA6,PG36,42.5,BLK	PG36	42.5	15.3	36.1	54.5	44.4	40.7	49.1	57.8	25
1-2500400-8	CC CONN,QC, PA6,PG48,54.5,BLK	PG48	54.5	16.2	35.6	54.9	56.1	52.1	62.9	70.6	25

Cable Conduit & Cable Conduit Connectors



REINFORCED CONN - TECHNICAL DETAILS

- Material:
 - Nut, Body & Connector Jacket : PA 6
 - Rubber Ring : EPDM
- Colour : Black
- Flammability Rating : UL94 V2
- Ingress Protection Rating: IP66
- RoHS, CE
- Operating temperature: -20°C to +100°C



Cable Conduit & Cable Conduit Connectors

TEPN	DESCRIPTION	THREAD TYPE	FITTING CONDUIT SIZE (AD NOM.)	TL	H	L	øID	øD1	SW1	SW2	PKG QTY
2500401-1	CC CONN,REIN, PA6,M12,13,BLK	M12X1.5	13	12.2	21.3	39.5	13.6	7	18.8	22.3	50
2500401-2	CC CONN,REIN, PA6,M16,15.8,BLK	M16X1.5	15.8	12.1	21.3	39.4	16.1	11.3	22	24.1	50
2500401-3	CC CONN,REIN, PA6,M20,18.5,BLK	M20X1.5	18.5	14	28.2	48.3	19.1	14.9	24.5	30.3	50
2500401-4	CC CONN,REIN, PA6,M20,21.2,BLK	M20X1.5	21.2	14	26.5	46.4	21.8	14.9	26.8	30.3	50
2500401-5	CC CONN,REIN, PA6,M25,25,BLK	M25X1.5	25	15.2	28	49.4	25.6	20.4	33.5	32.3	50
2500401-6	CC CONN,REIN, PA6,M25,28.5,BLK	M25X1.5	28.5	14.2	28.5	48.7	29.1	20.4	33.8	32.3	50
2500401-7	CC CONN,REIN, PA6,M32,34.5,BLK	M32X1.5	34.5	14.9	28.5	51.5	35.2	26.3	41	41.5	25
2500401-8	CC CONN,REIN, PA6,M40,42.5,BLK	M42X1.5	42.5	16.2	28.2	52.2	43.3	33.4	52	50.3	25
2500401-9	CC CONN,REIN, PA6,M50,54.5,BLK	M50X1.5	54.5	17.1	30	54.8	55.3	43.5	64.1	60.3	25
1-2500401-0	CC CONN,REIN, PA6,PG9,13,BLK	PG9	13	12.3	21.3	39.5	13.6	10.6	18.8	22.3	50
1-2500401-1	CC CONN,REIN, PA6,PG11,15.8,BLK	PG11	15.8	12.2	21.5	39.7	16	14.2	22	24.3	50
1-2500401-2	CC CONN,REIN, PA6,PG13.5,18.5,BLK	PG13.5	18.5	12	28.3	46.4	19.1	16.3	24.5	26.8	50
1-2500401-3	CC CONN,REIN, PA6,PG16,21.2,BLK	PG16	21.2	14.2	26.6	46.6	21.8	18.2	26.8	30.5	50
1-2500401-4	CC CONN,REIN, PA6,PG21,25,BLK	PG21	25	14.1	28	48.3	25.6	22.8	33.5	36.2	50
1-2500401-5	CC CONN,REIN, PA6,PG21,28.5,BLK	PG21	28.5	14.2	28.4	48.6	29.1	22.8	33.5	36.2	50
1-2500401-6	CC CONN,REIN, PA6,PG29,34.5,BLK	PG29	34.5	15	28.3	51.3	35.2	30.4	40.8	45.8	25
1-2500401-7	CC CONN,REIN, PA6,PG36,42.5,BLK	PG36	42.5	14.9	28.3	51.2	43.3	39.6	51.8	59.6	25
1-2500401-8	CC CONN,REIN, PA6,PG48,54.5,BLK	PG48	54.5	17.2	30.1	55	55.3	50.5	63.8	69.8	25

Cable Conduit & Cable Conduit Connectors

[te.com](https://www.te.com)

© 2026 TE Connectivity. All Rights Reserved.

TE Connectivity, TE connectivity (logo) and Every Connection Counts are trademarks owned or licensed by TE Connectivity. All other logos, products and/or company names referred to herein might be trademarks of their respective owners.

While TE has made every reasonable effort to ensure the accuracy of the information in this document, TE does not guarantee that it is error-free, nor does TE make any other representation, warranty or guarantee that the information is accurate, correct, reliable or current. TE reserves the right to make any changes to the information contained herein without prior notice. TE Connectivity assumes only those obligations set forth in the terms and conditions for this product and shall in no event be liable for any incidental, indirect, or consequential damages arising out of the sale, resale, use, or misapplication of the product. TE expressly disclaims any implied warranties with respect to the information contained herein, including, but not limited to, implied warranties of merchantability or fitness for a particular purpose. Dimensions, specifications and/or information contained herein are for reference purposes only and are subject to change without notice. Consult TE for the latest dimensions, specifications and/or information. Users of TE Connectivity products must make their own assessment as to whether the respective product is suitable for the respective desired application.

03/26 BA