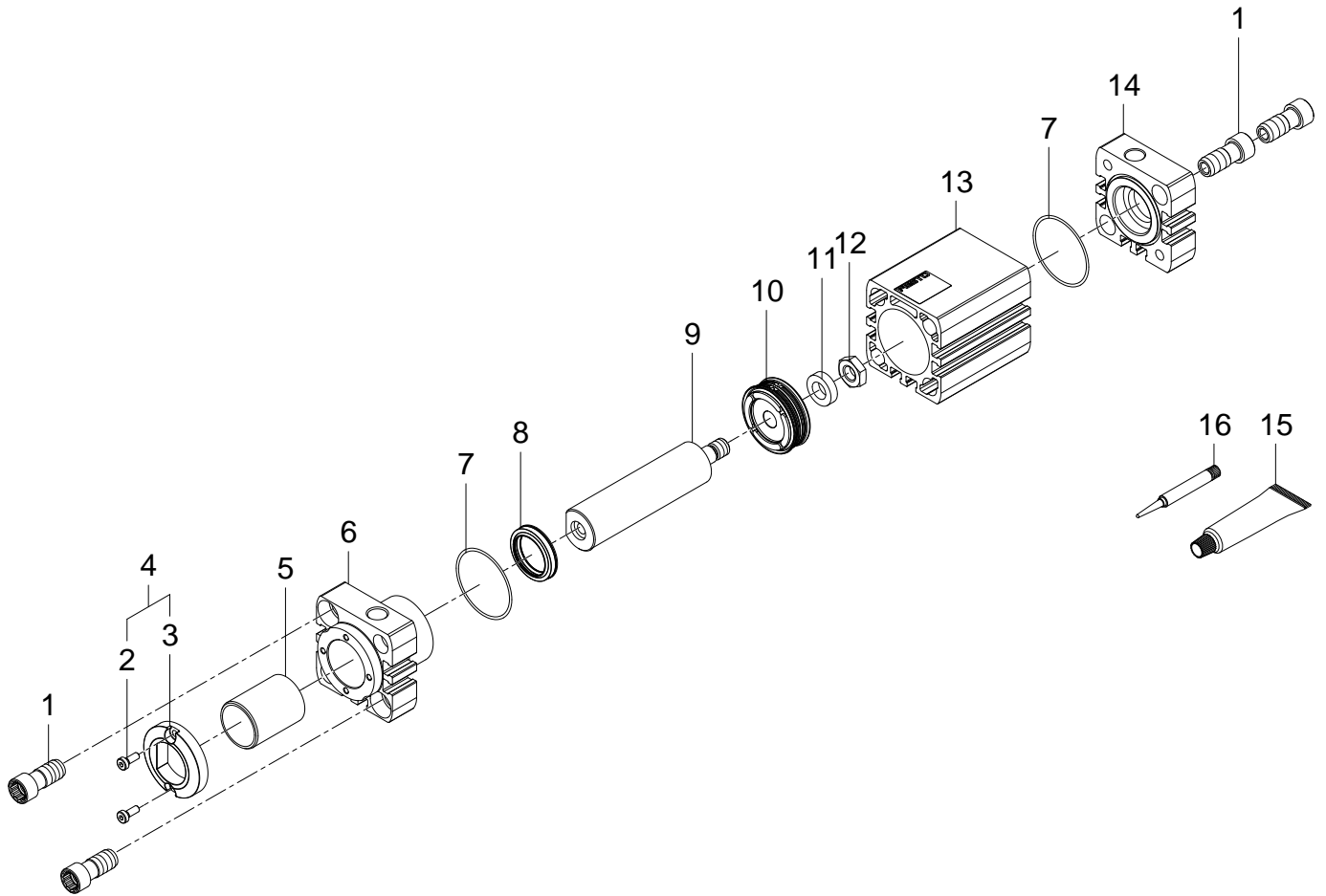


576114 DFSP-Q-32-15-DF-PA Stopper cylinder - Series: All



576114 DFSP-Q-32-15-DF-PA Stopper cylinder - Series: All

Pos.	Part no.	Type	Note	Qty.	Unit
A	8005117	DFSP-...-32 Set of wearing parts	Spare parts: 7, 8, 10, 15, 16	1	PC
1	658856	ADN-32/40 flange screw	Tightening torque 27 Nm / 19.9 lbf ft	4	PC
2		DIN 7984-M3X8-8.8 Socket head screw	Not available separately, see position 4 Use locking compound Loctite-243	2	PC
3		DFSP-Q-32 Ring	Not available separately, see position 4	1	PC
4	8005112	DFSP-Q-32 ET Ring		1	PC
5		XSM-2023-30 Plain bearing	Not available Grease using during assembly. See position 15	1	PC
6		DFSP-Q-32 Bearing cap module	Not available	1	PC
7		B-31,8X1-N-NBR75 O-ring ISO3601	Not available separately, see position A Grease using during assembly. See position 15	2	PC
8	359748	WIFC1-20X25X4,6-TPE-U Wiper seal	Grease using during assembly. See position 15	1	PC
9		IRA-20-X0048,0-S Piston rod	Not available Grease using during assembly. See position 15	1	PC
10		BA-K10E-032-A Complete piston	Not available separately, see position A Grease using during assembly. See position 15	1	PC
11	339835	8,4 X 15 X 4 Ring		1	PC
12	200602	DIN 439-B-M8-04 Hex nut	Tightening torque 9.2 Nm / 6.8 lbf ft Use locking compound. See position 16	1	PC
13		DFSP-32-X Cylinder barrel	Not available Grease using during assembly. See position 15	1	PC
14		ADN-32 End cap	Not available	1	PC
15	684474	LUB-KC1 SILIKONFREI 20ML Lubricating grease		1	PC
16	8181256	CYBERBOND TM44 TB1ML Adhesive bonding agent		1	PC