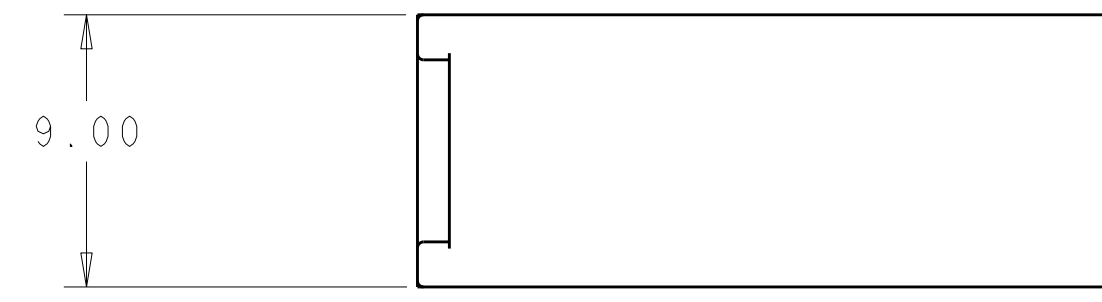


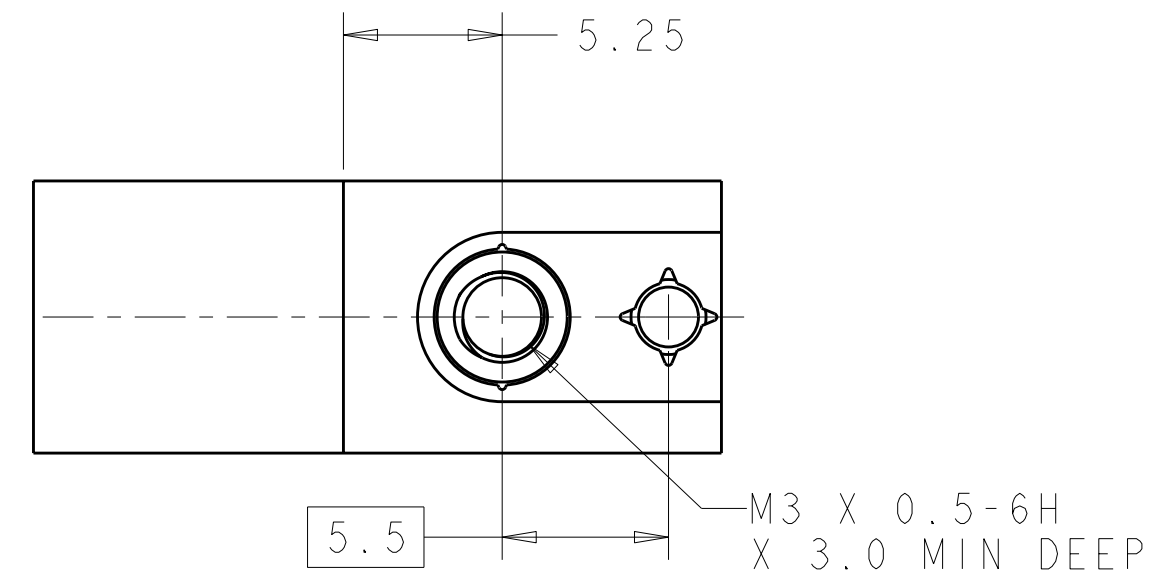
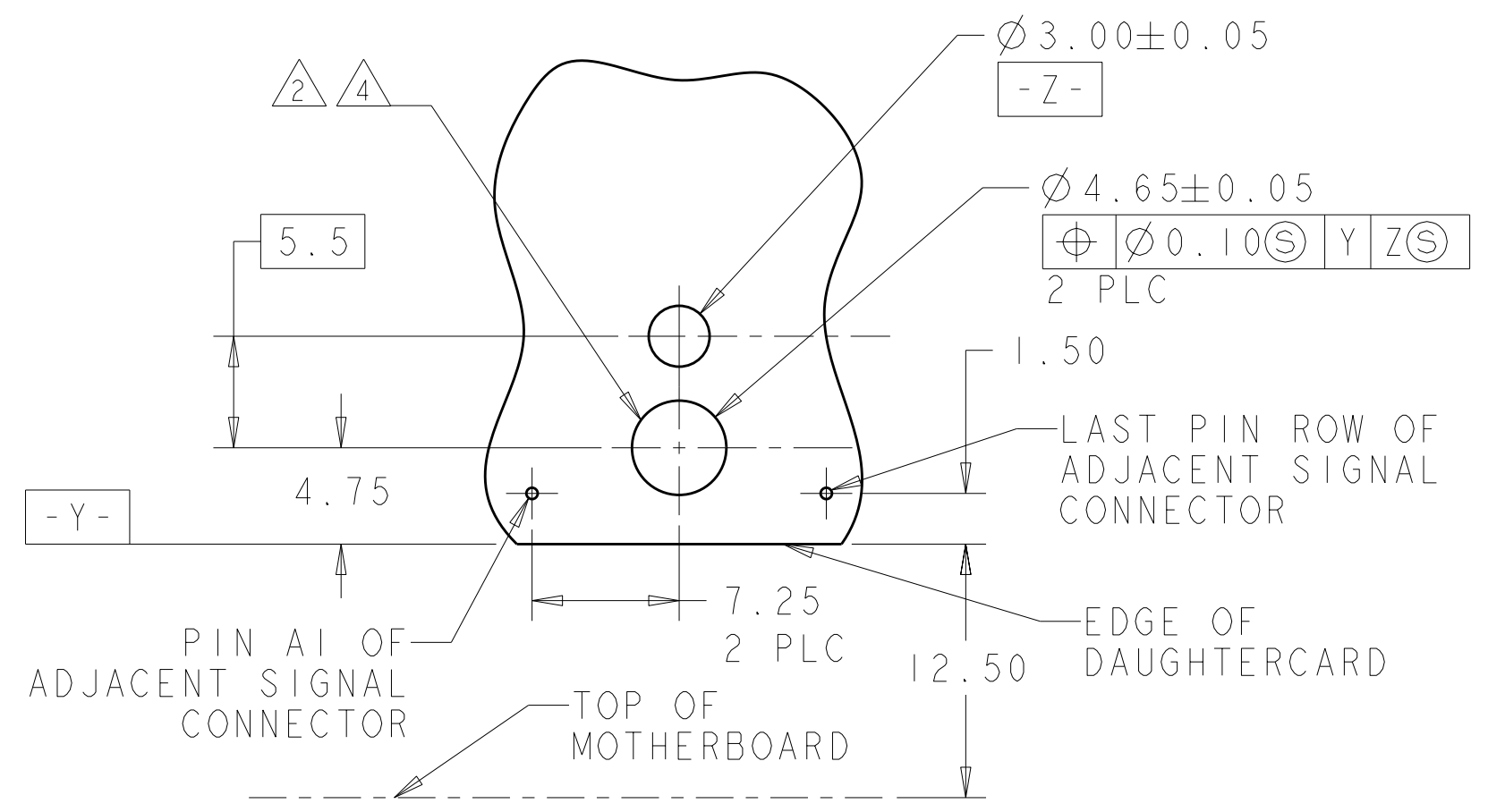
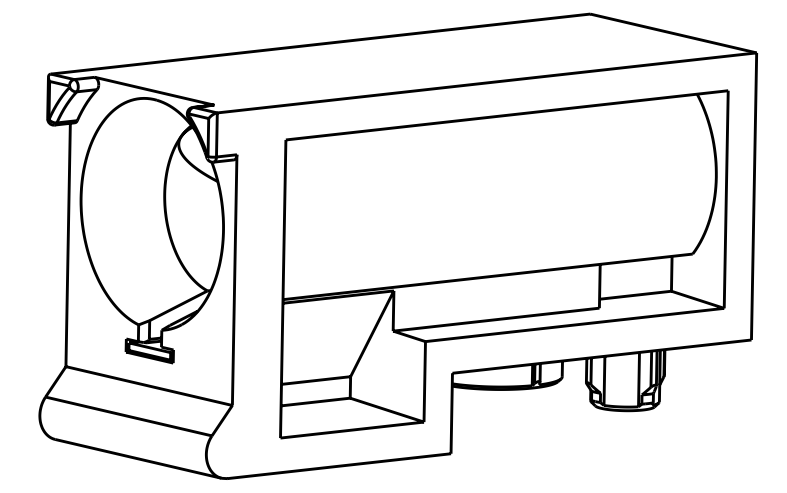
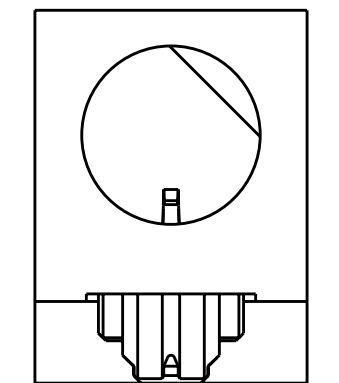
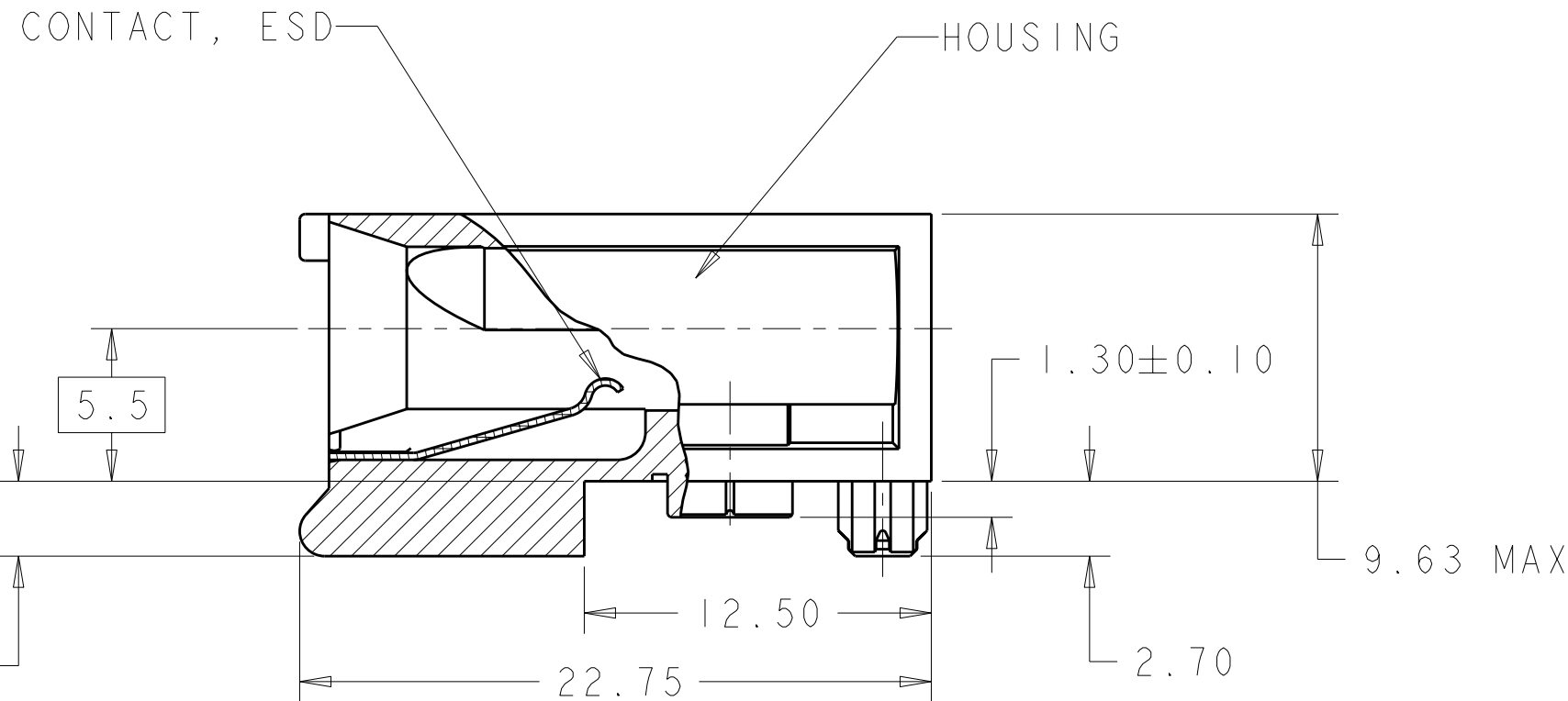
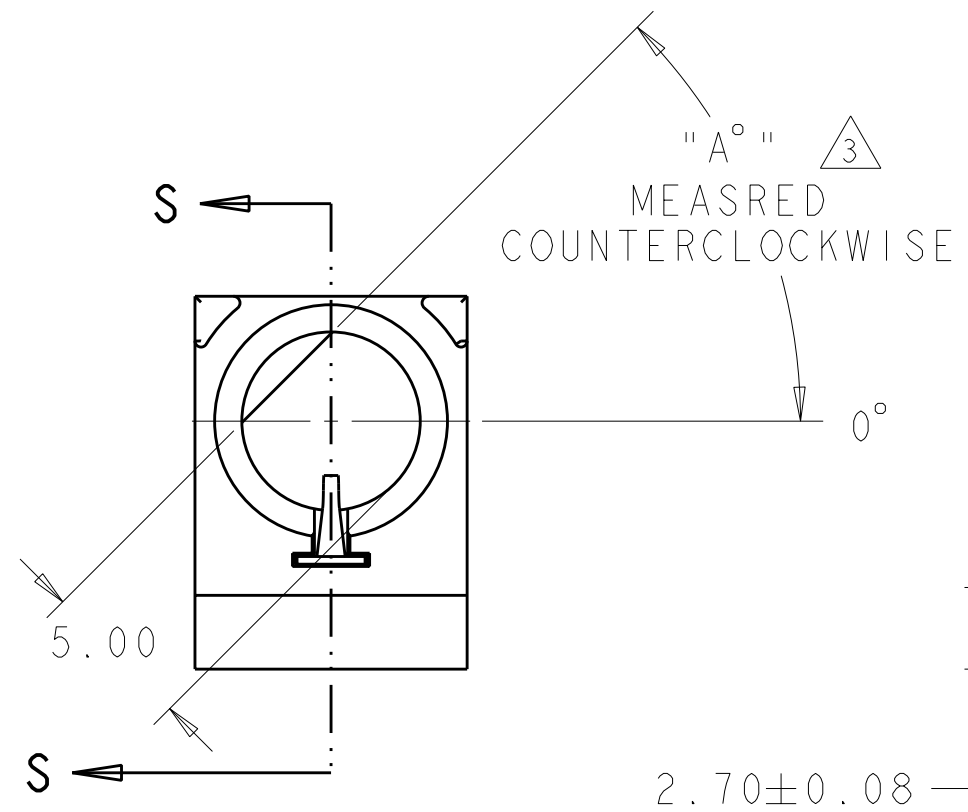
THIS DRAWING IS UNPUBLISHED. RELEASED FOR PUBLICATION 20
 © COPYRIGHT 20 BY - ALL RIGHTS RESERVED.

LOC	DIST	REVISIONS			
P	LTR	DESCRIPTION	DATE	DWN	APVD
AD	00	E	REVISED PER ECO-11-016268	30AUG2011	HMR AS

PART NO.	"A°"	HOUSING	CONTACT
1-1469492-1	0°	△5	△6
1-1469492-2	45°	△5	△6
1-1469492-3	90°	△5	△6
1-1469492-7	270°	△5	△6
1-1469492-8	315°	△5	△6
1-1469492-9	△7	△5	△6



- △1 MATERIAL: HOUSING: ZINC ALLOY DIE CASTING, ZAMAK 3; CONTACT: PHOSPHOR BRONZE
- △2 HOLE FOR POSITIVE RETENTION SCREW.
- △3 DASH NUMBERS INDICATE KEY ORIENTATION (P/N 1469492-2 SHOWN ON DRAWING)
- △4 GROUND PAD Ø5mm ON BOTH SIDE OF PCB.
- △5 FINISH: SILVER OVER NICKEL OVER COPPER
- △6 CONTACT FINISH: 3.81µm MINIMUM SILVER IN CONTACT AREA OVER 1.27µm MINIMUM NICKEL ALL OVER
- △7 GUIDE MODULE W/O KEYING; GUIDE PIN 1469491 SERIES MUST BE ORIENTED TO PROVIDE PROPER ESD PERFORMANCE



1469492
PART NO

THIS DRAWING IS A CONTROLLED DOCUMENT.		DWN R.TREA 24FEB2004	TE Connectivity	
DIMENSIONS: mm		CHK B.PATERSON 24FEB2004		
TOLERANCES UNLESS OTHERWISE SPECIFIED:		APVD G.GRIFFITH 24FEB2004	NAME MULTIGIG GUIDE MODULE/STANDOFF, RIGHT ANGLE, 20.3mm, DAUGHTERCARD 7ROW	
0 PLC ±		PRODUCT SPEC 108-2072	SIZE A200779	
1 PLC ±0.5		APPLICATION SPEC 114-13056	CAGE CODE C-1469492	
2 PLC ±.13		WEIGHT -	DRAWING NO 1469492	
3 PLC ±.01		CUSTOMER DRAWING	RESTRICTED TO -	
4 PLC ±0.0001		SCALE 4:1	SHEET 1 OF 1	
ANGLES ±			REV E	
FINISH △5 △6				