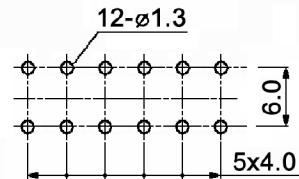


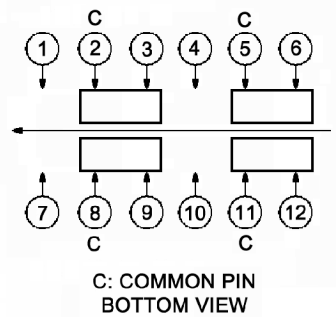
HOLE LAYOUT ± 0.05



Specifications:

- Contact rating: 1A, 25V DC; 0.5A, 100V AC
- Contact resistance: 10mOhm max.
- Insulation resistance: 100MOhm min. at 500V DC for 1 minute
- Dielectric strength: 500V AC for 1 minute (50/60Hz, 2mA)
- Operating temperature: -10°C to +60°C
- Mechanical life: 30 000 cycles
- Operating force: 300gf +/-100gf
- Soldering heat resistance: solder bath method: 260 +/-5°C, 5 +/-1sec.
- Material:
 - 1 - Case: ABS, brown
 - 2 - Contact plate: C5210R-EH, silver plated
 - 3 - Spring: SUS, temper
 - 4 - Base: ABS, yellow
 - 5,6 - Terminal: brass strip, silver plated
 - 7 - Spring wire: SWC, nickel plated
 - 8 - Spring: SWC, temper
 - 9 - Slider: POM, white

CIRCUIT DIAGRAM



Tolerances: up to 10: ±0.2mm above 10-50: ±0.3mm	Date	Name
	06/07	dr
Dimensions	01/11	dr
Modifications	Date	Name

MPBS42-H01L-F14

knitter-switch

30 11 45

Page

1/1