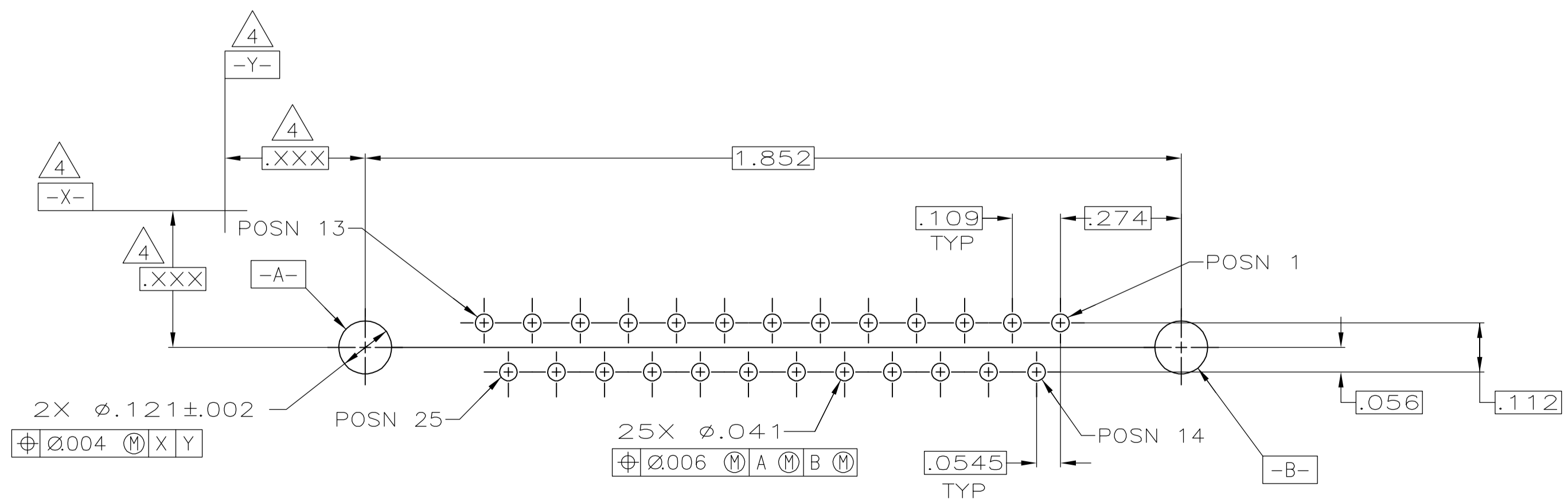
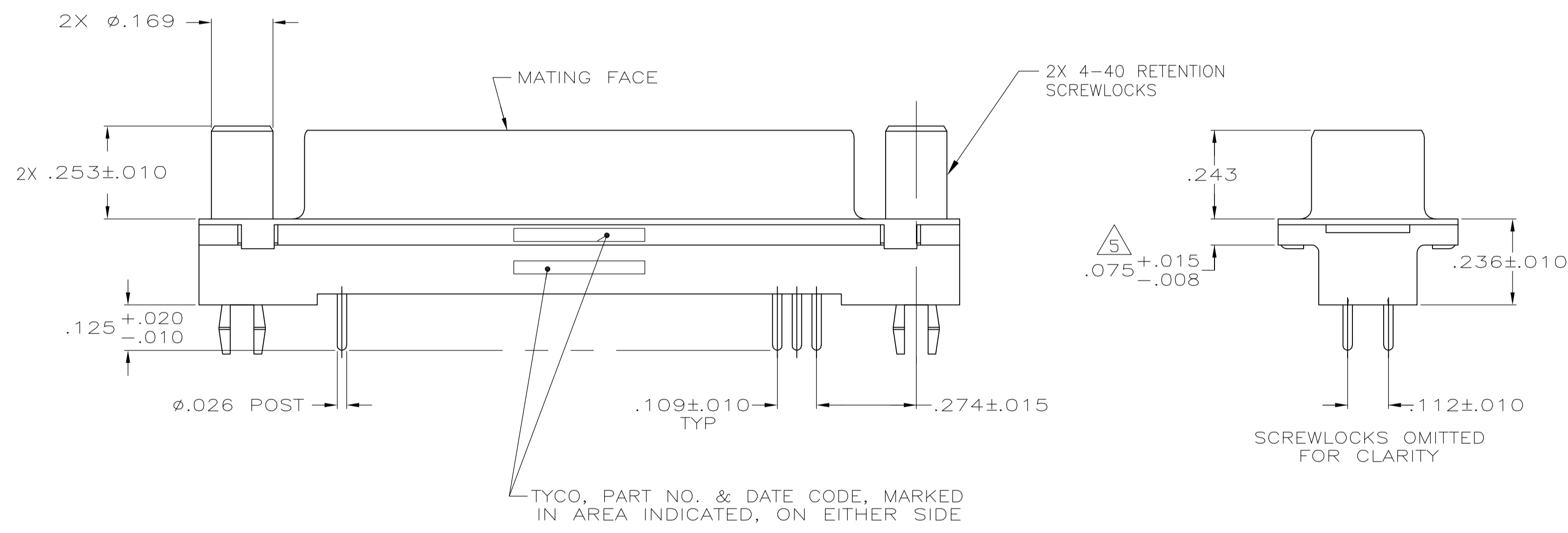
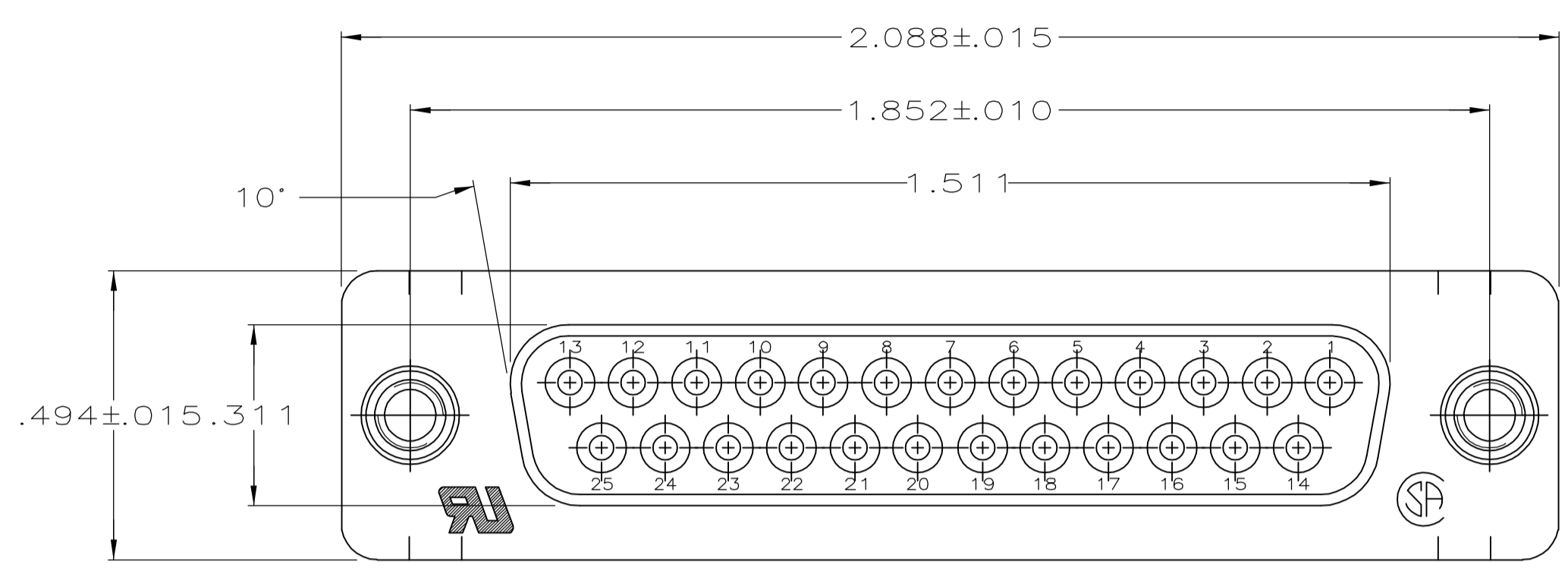


- 1 HOUSING: POLYESTER, UL 94V-0 RATED, COLOR BLACK.
SHELL: CARBON STEEL.
CONTACTS: PHOS BRONZE.
RETENTION SCREWLOCKS: BRASS.
- 2 SHELL: .000200 MIN TIN OVER .000100 MIN COPPER.
RETENTION SCREWLOCKS: .000100 MIN TIN OVER .000050 MIN NICKEL OVER COPPER FLASH.
CONTACTS: .000030 MIN GOLD FOR LENGTH OF .100 MIN FROM MATING END,
.000100 MIN TIN ON SOLDER END, ALL OVER .000050 MIN NICKEL ON ENTIRE CONTACT.
- 3. CONNECTORS PACKAGED IN TUBES IN QUANTITIES OF 10 PER TUBE.
- 4 DATUMS AND BASIC DIMENSIONS ESTABLISHED BY CUSTOMER.
- 5 .110 MAX IN SHELL TAB CLINCH AREAS.



PC BOARD MOUNTING DIMENSIONS
 CONNECTOR SIDE OF BOARD
 .062 PC BOARD THICKNESS

THIS DRAWING IS A CONTROLLED DOCUMENT.		DWG: B. LATTUCA	30SEPT05		Tyco Electronics Corporation Harrisburg, PA 17105-3608	
DIMENSIONS: INCHES		CHK: S. BOLASH	30SEPT05		NAME: M. WALMSLEY	RECEPT ASSY, SIZE 3, 25 POSN, VERT, FRT METAL SHELL, RETENTION SCREWLOCKS, AMPLIMITE HD-20
TOLERANCES UNLESS OTHERWISE SPECIFIED:		0 PLC ± -		PRODUCT SPEC: 108-40025	SIZE: A1	
		1 PLC ± -		APPLICATION SPEC: 114-40023	CAGE CODE: 00779	
		2 PLC ± -		WEIGHT: -	DRAWING NO: 5748612	
		3 PLC ± .005		CUSTOMER DRAWING		
		4 PLC ± -		SCALE: 4:1		
		ANGLES ± -		SHEET: 1 OF 1		
		FINISH: 1		REV: A		