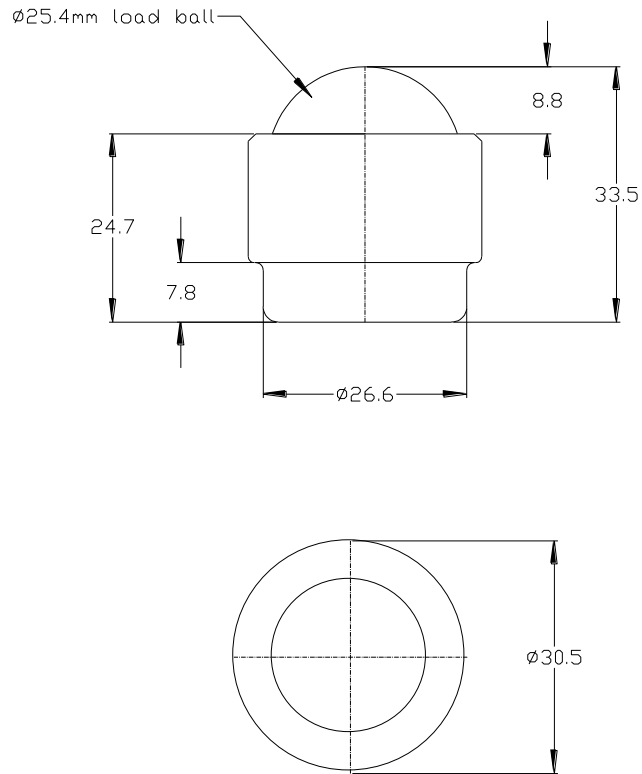


## 170014 DATASHEET



PART No.	BALL SIZE (mm)	WEIGHT (Kgs)	MAXIMUM DIAMETER (mm)	OVERALL HEIGHT OF BALL (mm)	BALL EXPOSURE ABOVE OUTER RING (mm)	BODY DIAMETER (mm)	DISTANCE UNDER FLANGE TO BASE (mm)	BASE TO TOP OF BODY (mm)
170014	$\phi 25.4$	0.1	$\phi 30.5$	33.5	8.8	$\phi 26.6$	7.8	24.7

### MAXIMUM DYNAMIC LOADING

Type 14 Nylon load ball 20kgs ball up

### MATERIALS

Body – Carbon steel with zinc plated finish

Load ball – Nylon 6,6 with shore hardness of 85 shore D white finish

Small balls – Stainless steel with hardness of 52 - 58HRC and self colour finish

Seal - Nylon

### KEY FEATURES

Units are fitted with a nylon scraper seal

Maximum operating temperature 70°C continuous to 80°C intermittent