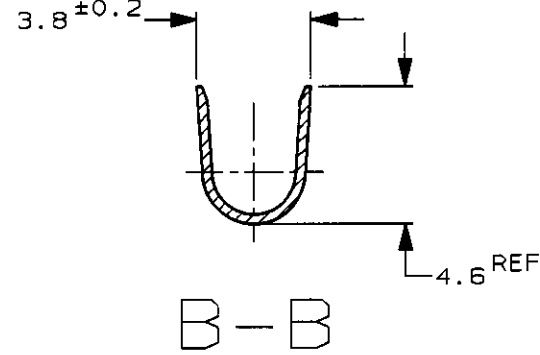
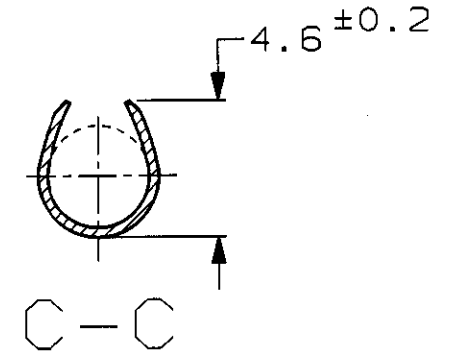
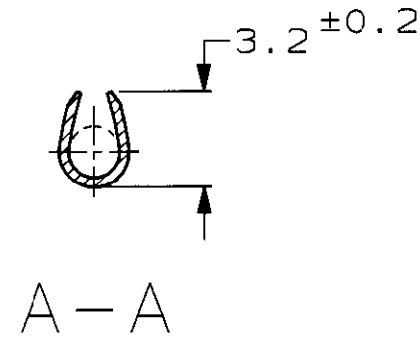
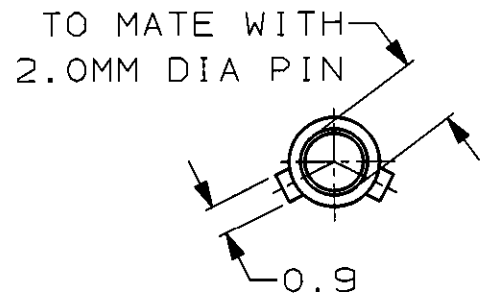
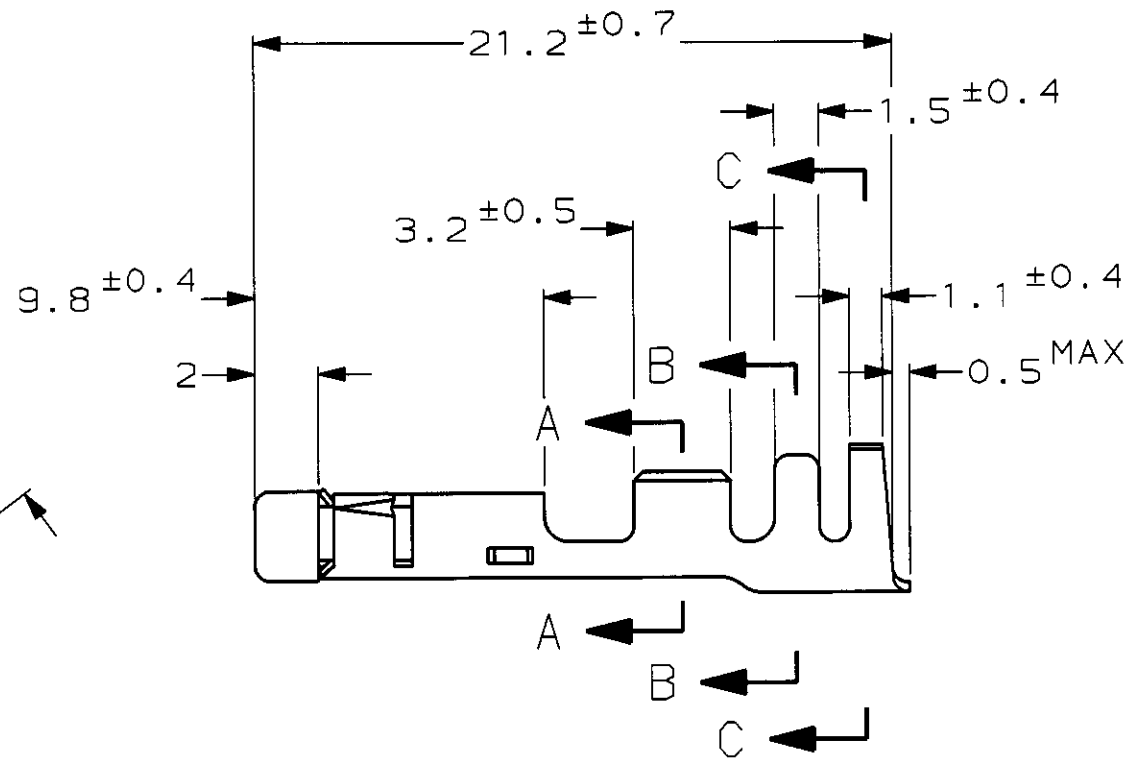
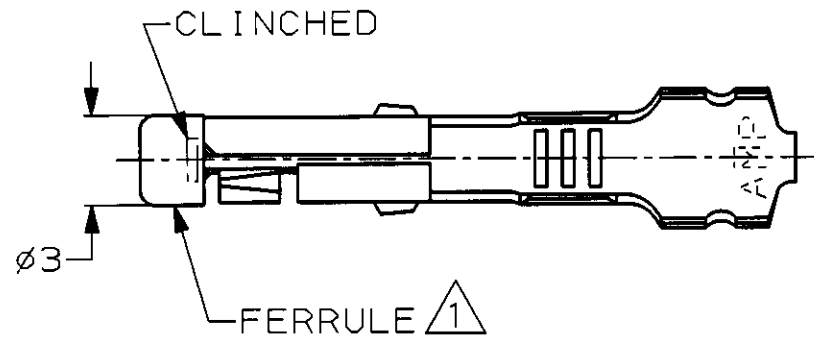


LOC	DIST	REVISIONS						
		P	LTR	DESCRIPTION	ECN	DATE	DWN	APVD
J		0		RELEASED	FJ00-1870-99	28OCT99	TS	KB



① フェルール材料：黄銅

① FERRULE MATERIAL: BRASS

THIS DRAWING IS A CONTROLLED DOCUMENT FOR AMP INCORPORATED. IT IS SUBJECT TO CHANGE AND THE CONTROLLING ENGINEERING ORGANIZATION SHOULD BE CONTACTED FOR THE LATEST REVISION.

DIMENSIONS: 単位・概 mm	TOLERANCES UNLESS OTHERWISE SPECIFIED 一般公差 10mm : ±0.2 30mm : ±0.25 100mm : ±0.3 ANGLE : ±3°
MATERIAL 材料 SEE TABLE	FINISH 仕上 —//—

DWN T. SHINOHARA 28OCT99	28OCT99
CHK K. BETSUI 28OCT99	28OCT99
APVD K. BETSUI 28OCT99	28OCT99
PRODUCT SPEC 製品規格 108-5121	
APPLICATION SPEC 取付適用規格 114-5039	
WEIGHT 0.48g	
CUSTOMER DRAWING	

170280-1	PRE-TIN BRASS	170293-1
STRIP NUMBER	MATERIAL	PART NUMBER
WIRE RANGE 包合電線断面積 0.5~2.27mm ²		INSULATION DIA 被覆外径 ∅2.16~3.43mm
AMP 日本エー・エム・ピー株式会社 Kawasaki, Japan		
NAME 名称 2DIA RECEPTACLE LANCE LESS ASSY LOOSE PIECE		
SIZE A3	CAGE CODE 00779	DRAWING NO 番号 C-170293
SCALE 尺度 4:1		SHEET 1 OF 1
RESTRICTED TO —		REV 0