

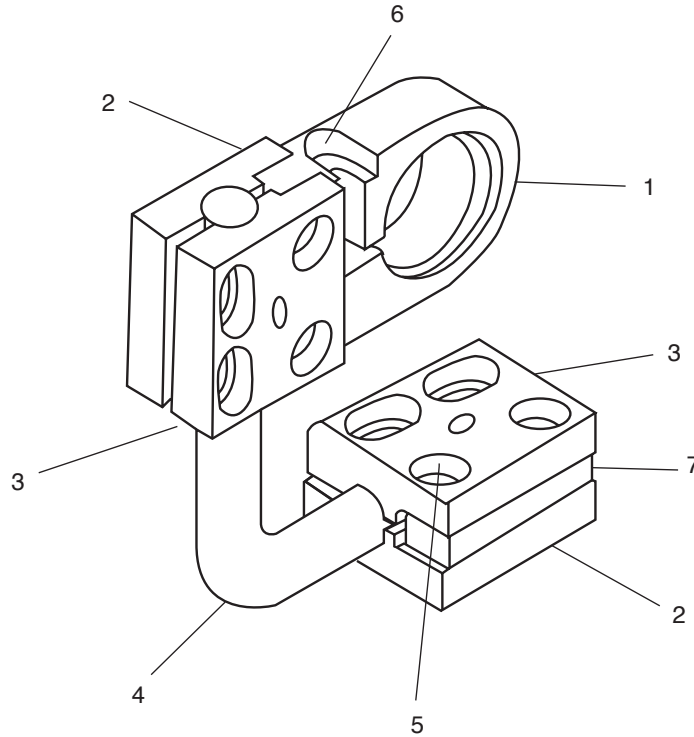


Instruction Leaflet

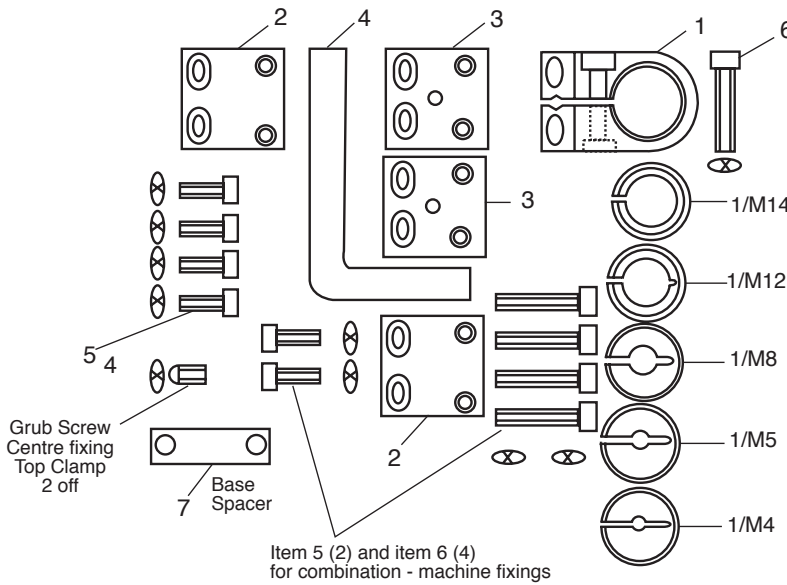
Proximity Switch Mounting Bracket - Size 2-M30

RS stock no. 256-017

Kit assembly



M30 dia. Sensor Bracket Parts



ITEM	DESCRIPTION
1 1/M14- 1/M4	} SENSOR CLAMPS
2	
3	TOP CLAMPS
4	PIVOT PIN
5	M4 x 10 SCREWS
6	M4 x 20 SCREWS
7	BASE SPACER

The information provided in RS instruction leaflet is believed to be accurate and reliable; however, RS Components assumes no responsibility for inaccuracies or omissions, or for the use of this information, and all use of such information shall be entirely at the user's own risk. No responsibility is assumed by RS Components for any infringements of patents or other rights of third parties which may result from its use. Specifications shown in RS Components instruction leaflets are subject to change without notice.