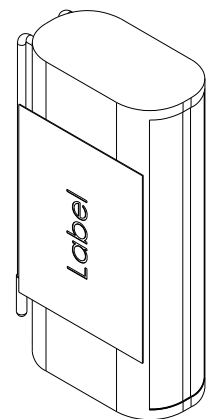
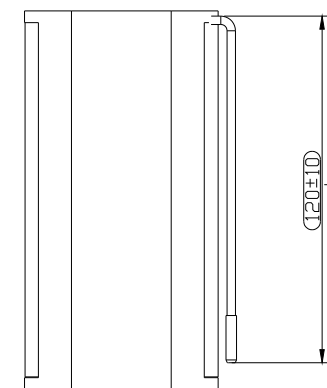
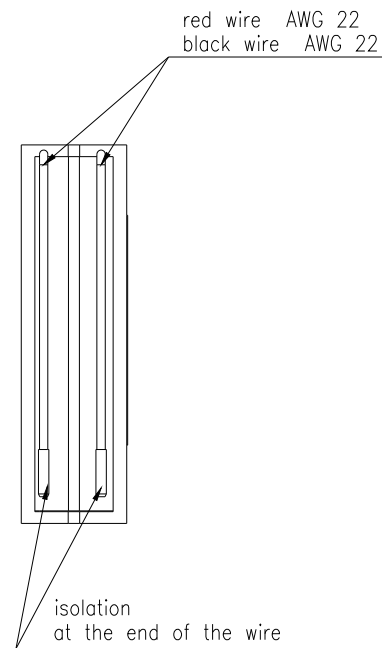
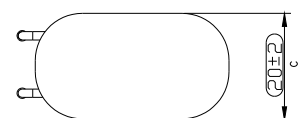
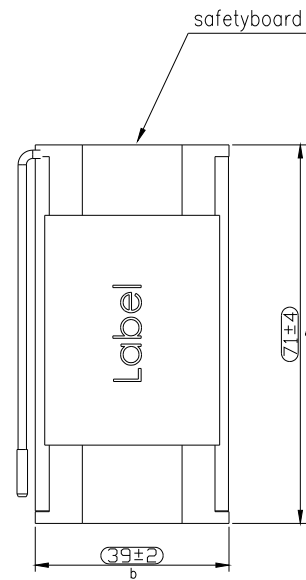
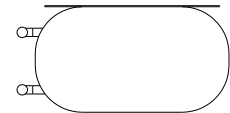


The supplier acknowledges that, with the acceptance of the drawing, he is in a position to manufacture the illustrated part in accordance with the drawing in reproducible form and series production. Through the selected manufacturing processes no impairments will arise in the material and structure which could subsequently lead to an impairment of the components, technical agreements over and above that are not valid. Deviations from this must be written and must be signed by the purchaser.
 This device may not be copied, reproduced or made available to third parties in any way whatsoever without the prior written approval.

Technische Daten/ technical data	:	Akkupack/ batterypack
Chemie/ chemistry	:	Lithium Ion
Zellenzahl/ no. of cells	:	2 Zellen/ cells INR18650 M26 LG ; 2S1P
Kapazität/ capacity	:	nom. 2600mAh discharge at 0.2C min. 2500mAh discharge at 0.2C
		ta:20°C; EV(Discharge End Voltage): 2.75V per cell
Innenwiderstand/ impedance	:	< 140mOhm (battery and safetyboard)
Nominalspannung/ nominal voltage	:	7.2V
Standard Ladespannung/ standard charge voltage	:	8.4V±1%
Standard Entladespannung/ standard discharge voltage	:	5.5V
Nominaler Ladestrom/ nominal charge current	:	0.5C
Maximaler Ladestrom/ maximum charge current	:	1C
Ladeendstrom/ charge end current	:	0.01C recommended
Maximaler Entladestrom/ maximum discharge current	:	5000mA (limited by safetyboard)
Anwendungstemperaturbereich/ ambient temperature range	:	0°C...+45°C charge -20°C...+60°C discharge -20°C...+20°C storage max. 1 year -20°C...+45°C storage max. 3months
Selbstentladung/ self discharge	:	≤ 5% / month at 20°C ≤ 10% / month at 30°C ≤ 20% / month at 40°C
Standards/	:	UN 3480, Subsection 38.3 All cells and batterypacks type tested according to UN manual of test and criteria subsection 38.3

Technische Daten/ technical data	:	Sicherheitsschaltung/ safety board
Überladeschutzspannung/ over charge voltage detection	:	4.3V±25mV per cell
Wiedereinschaltspannung/ over charge release voltage	:	4.1V±50mV per cell
Entladeabschaltspannung/ over discharge detection voltage	:	2.4V±50mV per cell
Wiedereinschaltspannung/ over discharge release voltage	:	3V±100mV per cell
Nominaler Lade/Entladestrom/ nominal operating current	:	5A
Entlade Abschaltstrom/ discharge cut off current	:	13A± 3A
Kurzschlusschutz/ short circuit protection	:	gegen äußeren Kurzschluss/ against external short circuit
Temperaturerhalter/ temperature switch	:	PTC: JK-P730 20V/7.3A at 25°C; 6.2A at 40°C
MOSFET	:	in Masse in Gnd
Rückstellkriterium/ release condition	:	Last trennen, Aktiv nach Anladen/ cut load, release after charging up
Nettogewicht/ net weight	:	ca./ approx. 100g
Leiterplattenmaterial/ pcb material	:	FR4
Standards	:	CE, UKCA



batterypack covered with 1 layer of blue shrinktube

		Allowable deviation general tolerances		Surface:	Material:	Weight
		DIN ISO 2768-m			Scale (DIN A2): 1:1	Projection method
		Date	Name	Product name:		
		Drawn by	31.07.2015	JH		
		Changed by				
V4	standards updated	15.06.2021	LT	Li-Ion-7.2V-2600mAh-2s1p-bu/RS		
V3	updated	18.06.2020	DS	Part number 2447-3002-520		
V2	technical data changed	04.09.2018	DS	Project: IS-XXXX		
V1	updated datasheet	21.09.2017	MSt	Application range for inquiry		
Version	Change	Date	Name	XXX/XX		Sheet 1/1

