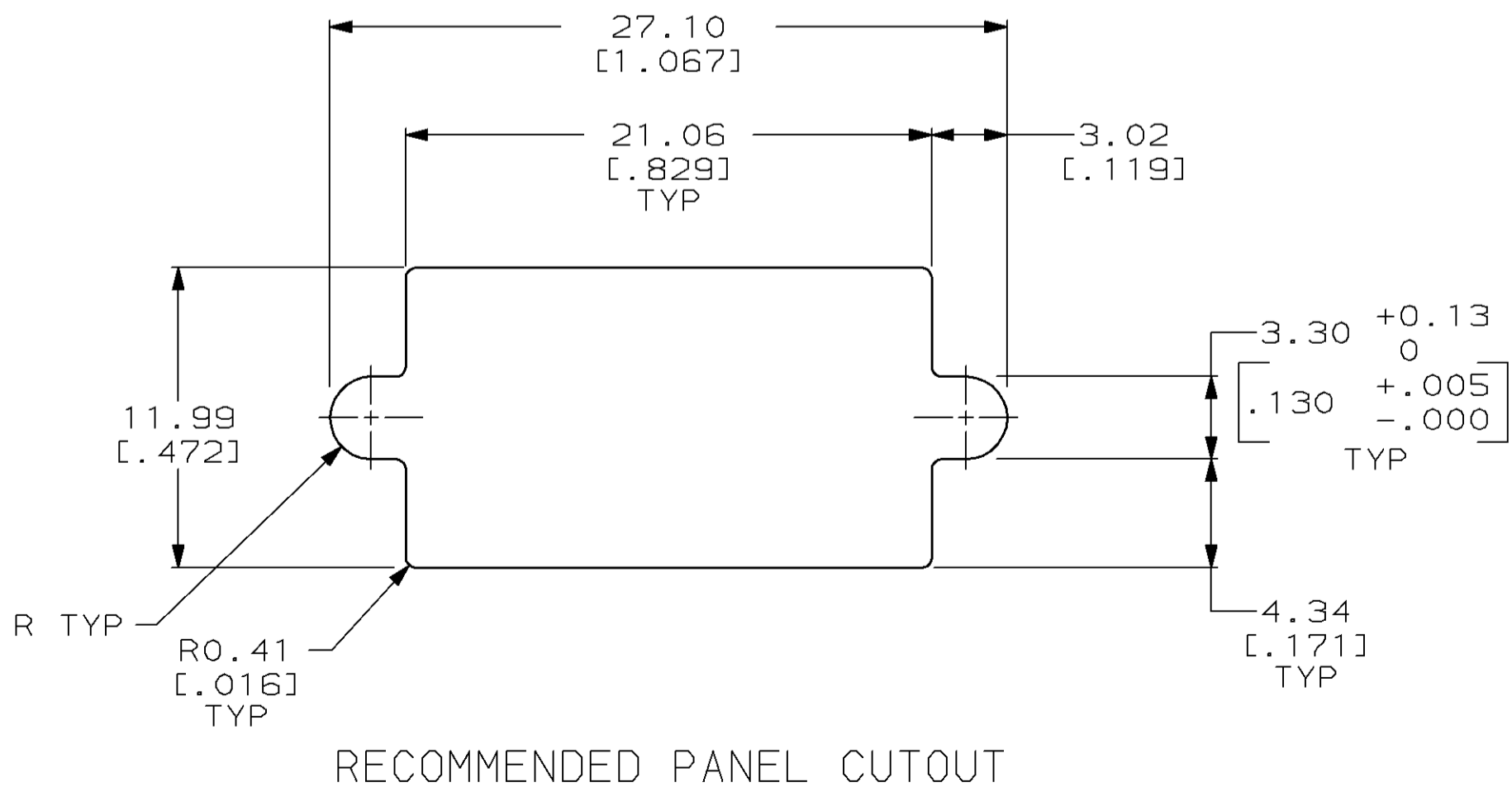
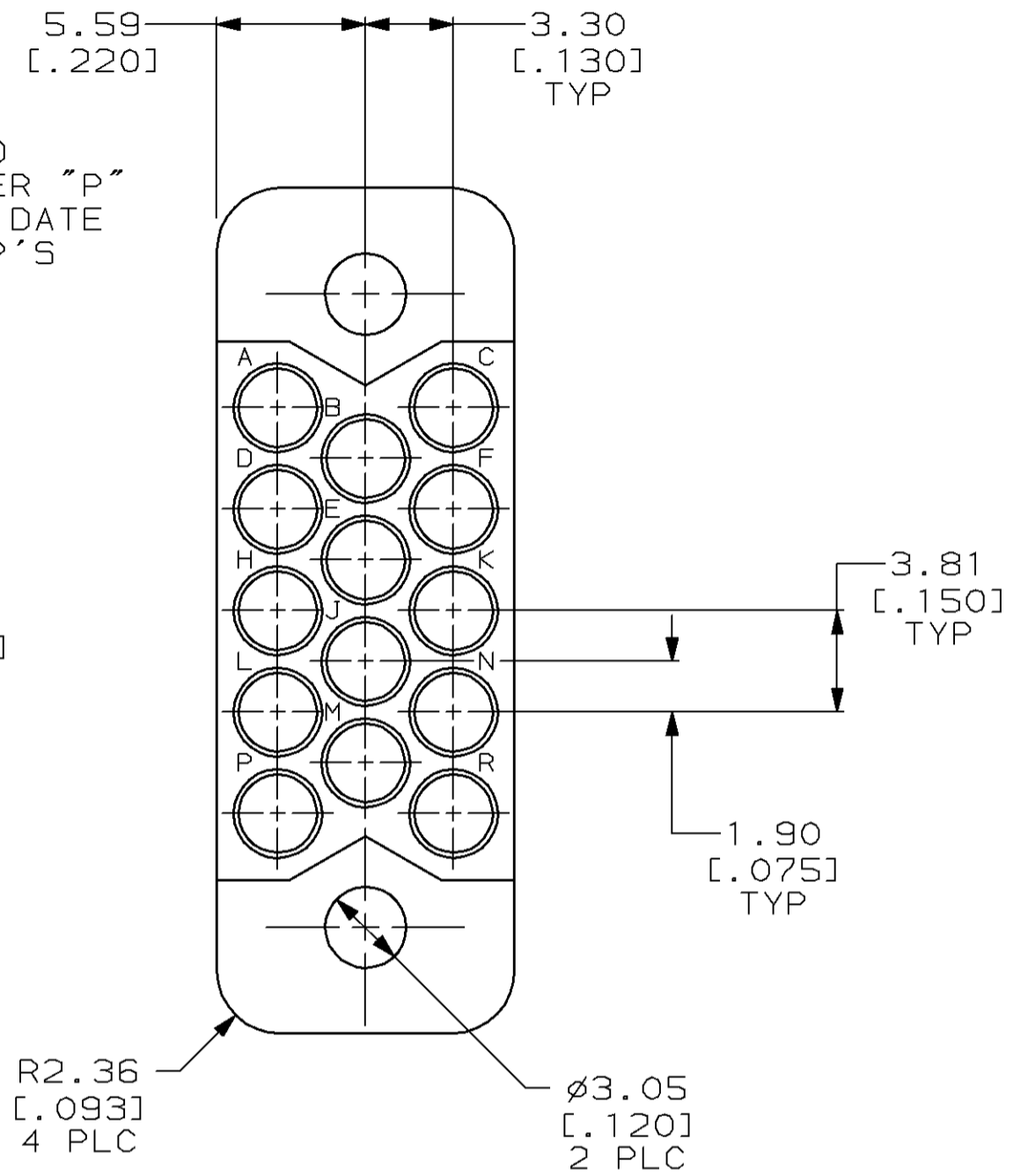
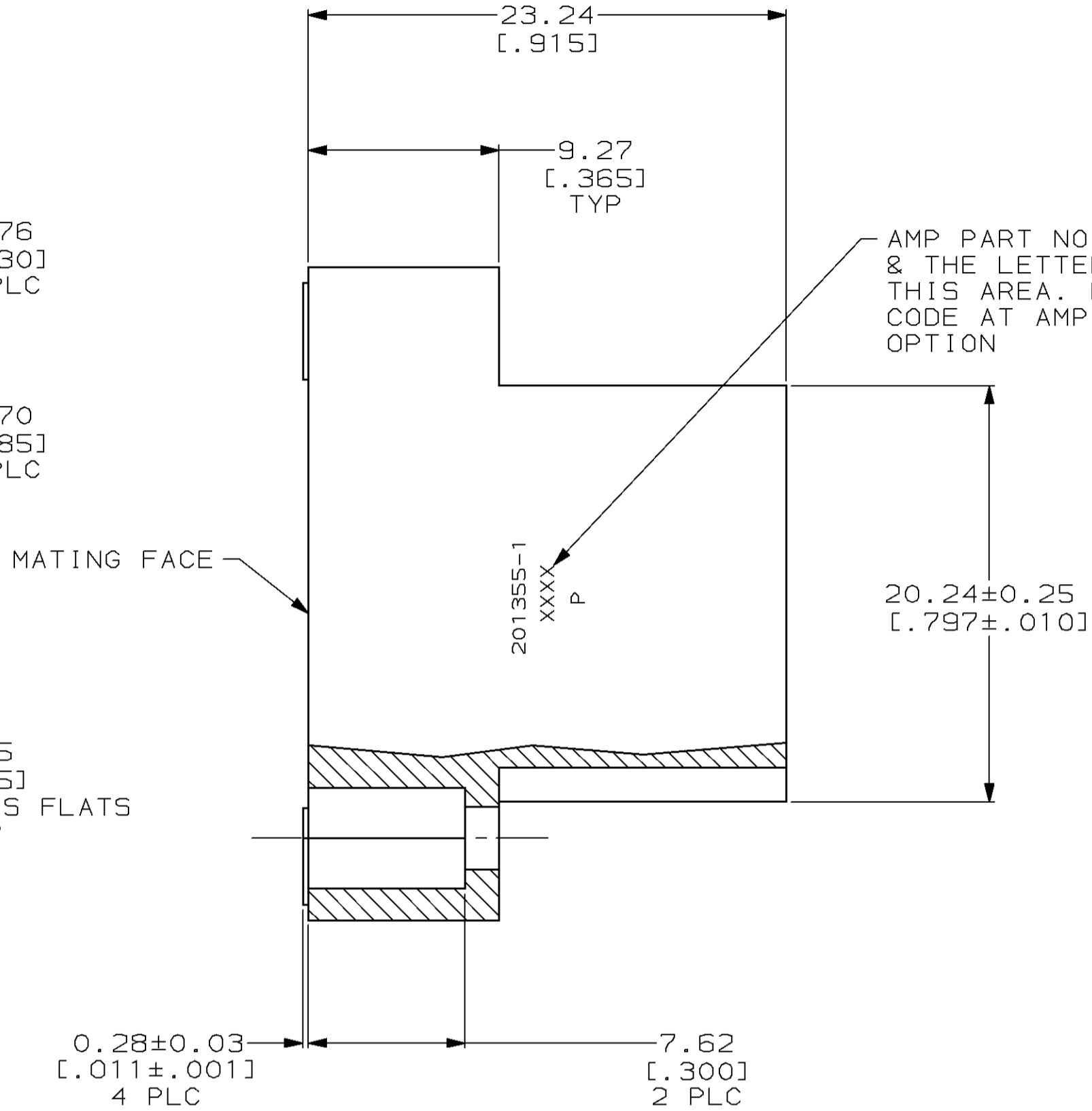
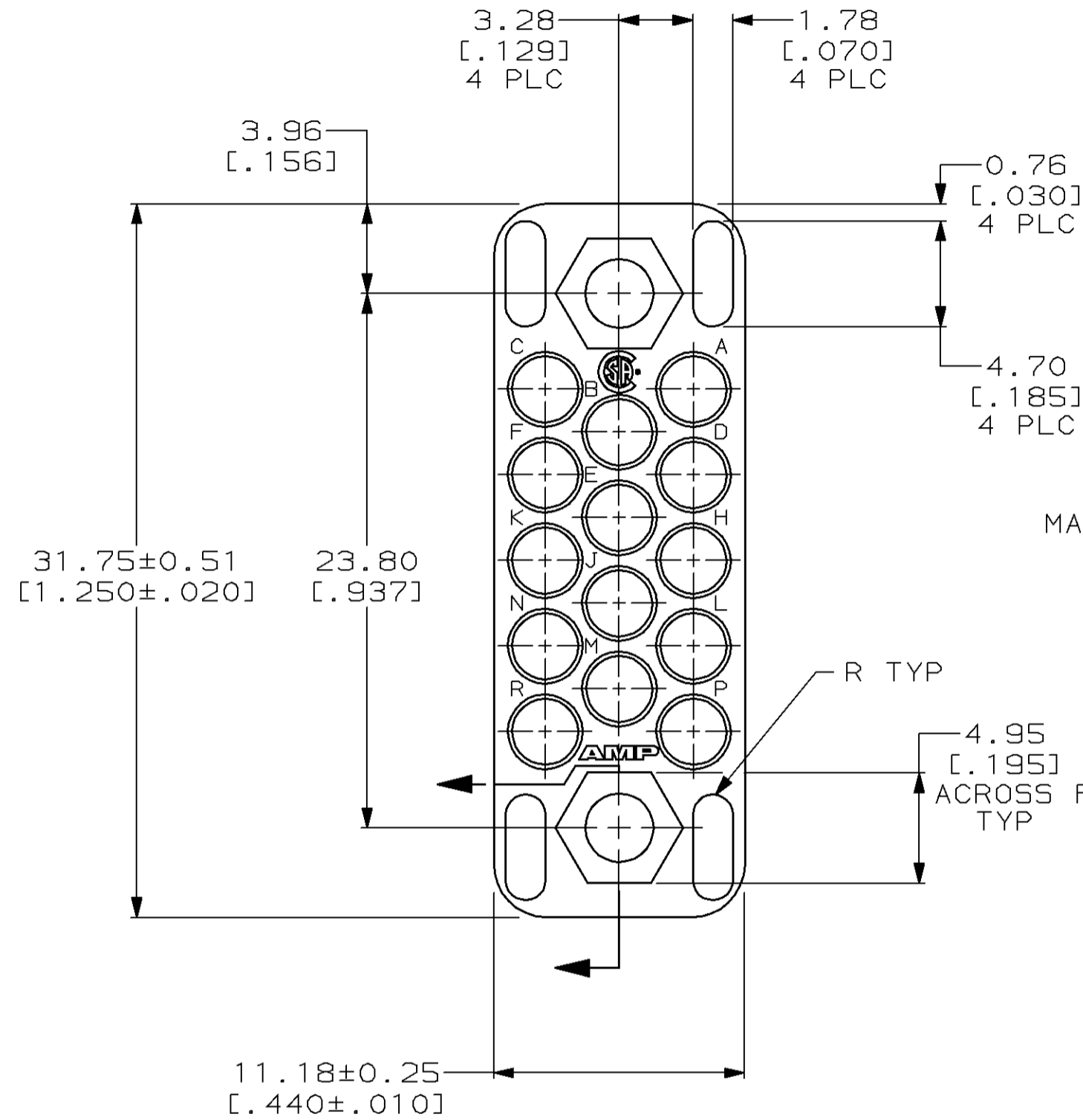


THIS DRAWING IS UNPUBLISHED. RELEASED FOR PUBLICATION  
 BY AMP INCORPORATED. ALL RIGHTS RESERVED.

REVOLUTIONS		DATE	DWN	APVD
P	LTR			
N		15 MAR 96	-	-
P		14 AUG 97	BC	GS



- 1. PHENOLIC PER MIL-M-14, TYPE CFG, BLACK.
- 2. MATES WITH BLOCK 201298 & ACCOMODATES TYPE II, TYPE III+ OR TYPE VI #16 PIN OR SOCKET CONTACTS.

201355-1  
 PART NUMBER

THIS DRAWING IS A CONTROLLED DOCUMENT.		DWN C. OBERMAN 15 MAR 96	AMP Incorporated Harrisburg, PA 17105-3608
DIMENSIONS: mm [INCHES]		CHK R. STONE 19 MAR 96	
TOLERANCES UNLESS OTHERWISE SPECIFIED:		APVD G. STEINHAUER 11 APR 96	NAME BLOCK, MALE, 14 POSITION, MINIATURE RECTANGULAR, M SERIES
0 PLC ± 1 PLC ± 2 PLC ±0.13 [.005] 3 PLC ± 4 PLC ±		PRODUCT SPEC -	SIZE A2
MATERIAL △		APPLICATION SPEC -	CAGE CODE 00779
FINISH -		WEIGHT -	DRAWING NO C-201355
		CUSTOMER DRAWING	SCALE 4:1
			SHEET 1 OF 1
			REV P