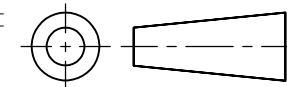


DO NOT SCALE

METRIC

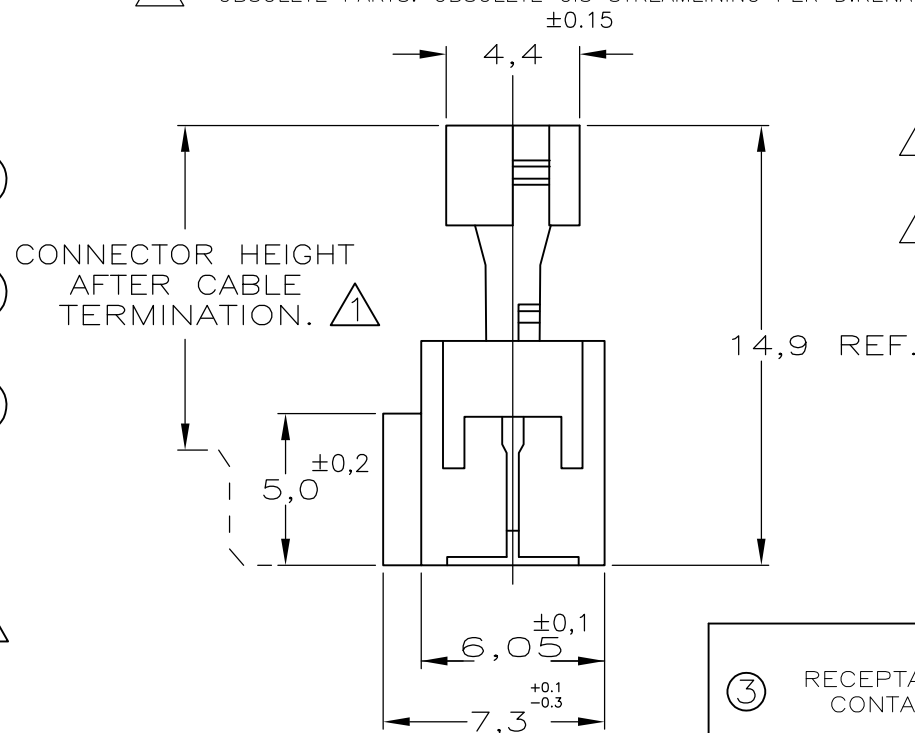
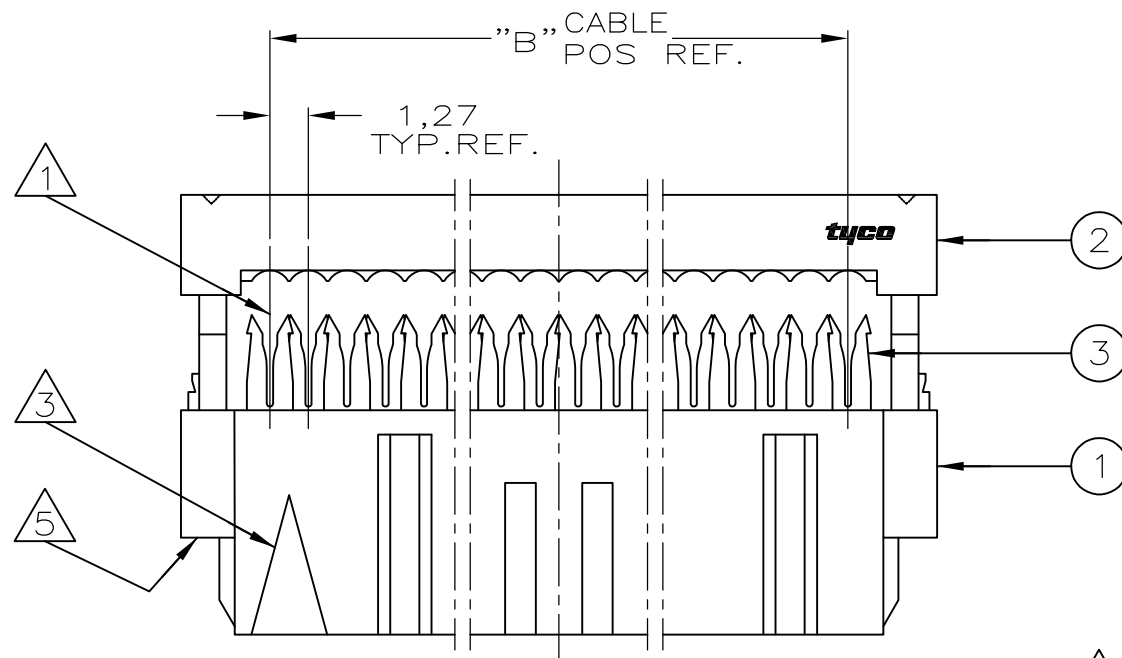
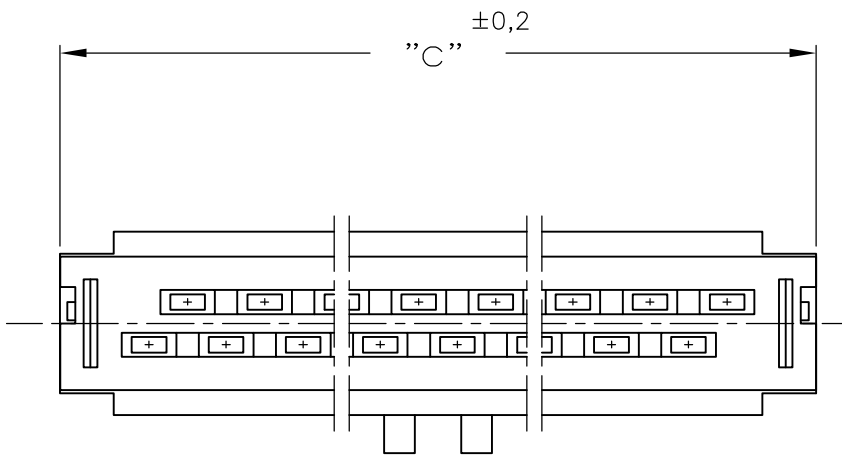
THIRD ANGLE PROJECTION



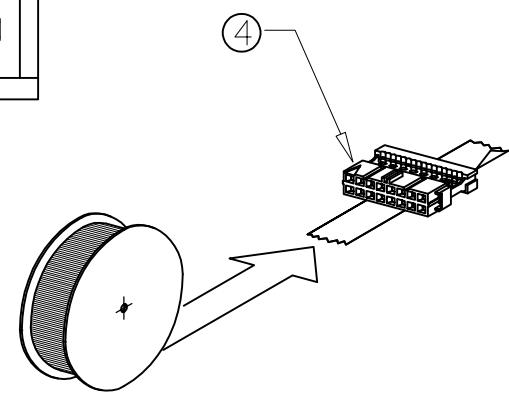
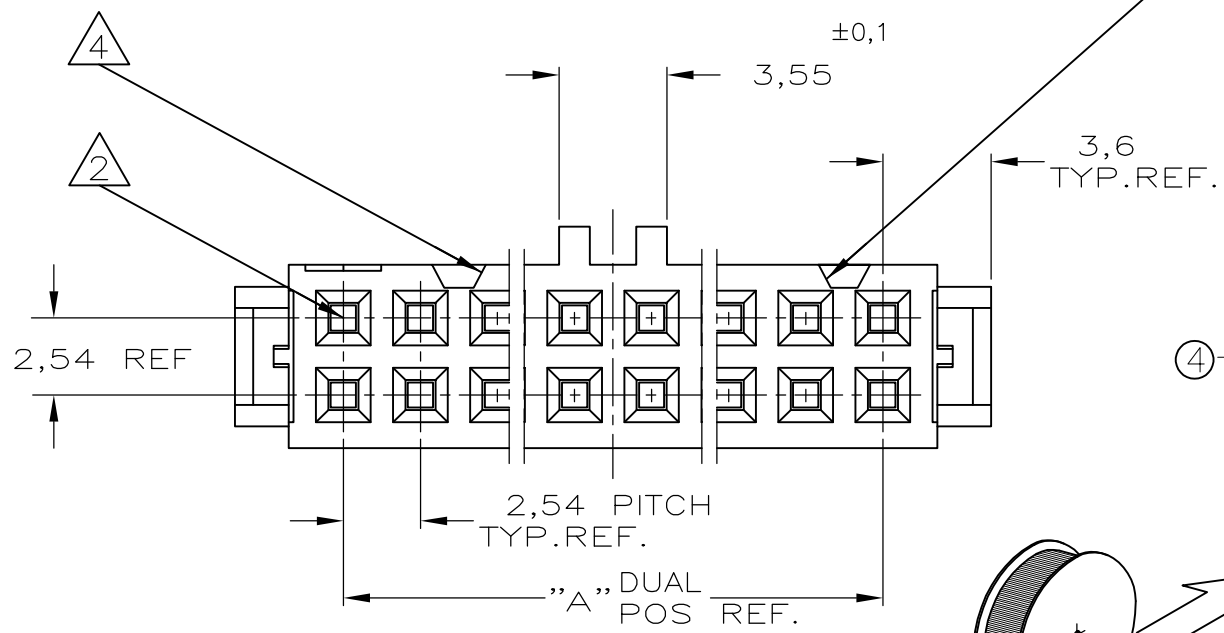
NOTES:

DIMENSIONS IN mm

- ① CONNECTOR IS DESIGNED FOR FLAT RIBBON CABLE ON 1,27 CENTERS . FOR CABLE REQUIREMENTS SEE AMP APPLICATION SPECIFICATION 114-19022.
- ② THESE RECEPTACLE CONNECTORS MATE WITH 0,64<sup>±0,05</sup> mm SQUARE OR ROUND POSTS ON 2,54mm GRID.
- ③ MARK INDICATING FIRST CABLE POSITION REFERRING TO CONTACT POSITION.
- ④ THERE IS NO POLARIZATION-SLOT AT THIS END IN 6, 10 AND 14 POS CONNECTORS.
- ⑤ THESE CONNECTORS CAN BE USED IN CONJUNCTION WITH STRAIN-RELIEF COVERS OF PARTNR: 100103.
- ⑥ THERE IS NO POLARIZATION-SLOT AT THIS END IN 6 POS CONNECTORS.
- ⑦ PRODUCT SPECIFICATION 108-19033.
- ⑧ OBSOLETE PARTS: OBSOLETE CIS STREAMLINING PER D.RENAUD/D.SINISI



1000	85,9	64	32	6-215915-4	D
1000	80,8	60	30	6-215915-0	D
1000	68,1	50	25	5-215915-0	D
1500	60,5	44	22	4-215915-4	D
1500	55,4	40	20	4-215915-0	D
1500	47,8	34	17	3-215915-4	D
1500	42,7	30	15	3-215915-0	D
1500	37,6	26	13	2-215915-6	D
1500	30,0	20	10	2-215915-0	D
1500	24,9	16	8	1-215915-6	D
1500	22,4	14	7	1-215915-4	D
1500	17,3	10	5	1-215915-0	D
OBSOLETE	1500	14,8	8	0-215915-8	B
1500	12,2	6	3	0-215915-6	D
OBSOLETE	1500	9,7	4	0-215915-4	B
QUANTITY PER REEL	DIM. "C"	"B" CABLE POS.	"A" DUAL POS.	PARTNUMBER	PART REV.



③ RECEPTACLE CONTACT	PHOSPHORBRONZE Cu Sn6	AT CONTACT-PLACE: 0,8μ GOLD AT WIRING END: 2,5μ TIN ENTIRE UNDERCOATING: 1,27μ NICKEL
② COVER	THERMOPLASTIC POLYESTER GF UL 94 -V0	GREY RAL 7032 ONLY FOR REF.
① HOUSING		
COMPONENT NAME	MATERIAL	PLATING / COLOUR

D6	ECO-09-020935	KK	AEG	31AUG09	CUSTOMER DRAWING FOR REFERENCE ONLY WILL NOT BE UPDATED								
D5	ECR06-29576	A.V.	R.M.	15-12-06									
D4	ET00-0243-04	A.V.	R.M.	21-03-05									
D3	ET00-0159-04	A.V.	R.M.	13-07-04									
D2	ET00-0180-03	A.V.	R.M.	19-01-04									
D1	ET00-0093-03	SS	-	23-05-03									
D	H-7482	JvL	RV	29-10-92	tyco Electronics AMP ITALIA S.p.A Corso F.LLI Cervi, 15 COLLEGNO (TORINO)								
LTR.	REVISION RECORD	DR.	CHK.	DATE									
DR.:	R.HOGEVEEN	CHK.:	R.VERSTIJNEN	APP.:	L.V.SOEST	DWG.No.	C-215915	SIZE	A3	SHEET	1 OF 1	REV.LTR.	D6
DATE:	02-02-88	DATE:	03-02-88	DATE:	03-02-88								