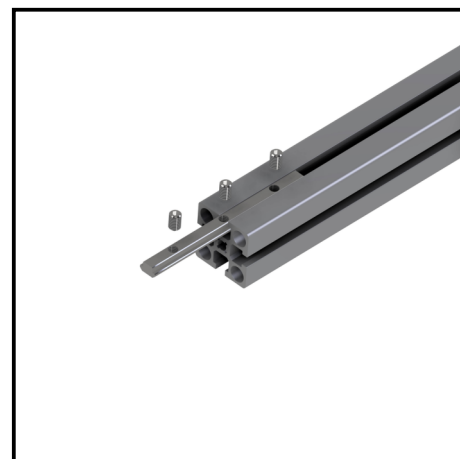
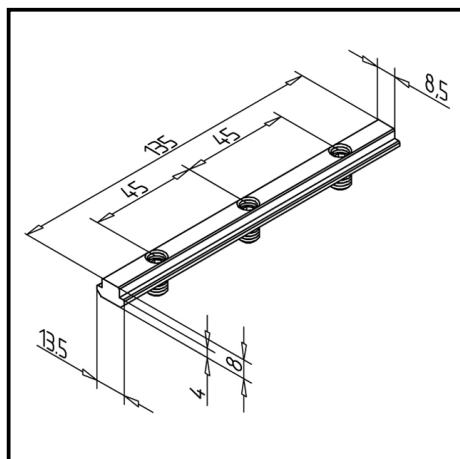


T-SLOT BAR 135

Article Nr. 21.0988/0

See the product on the website →

Download CAD Files →



TECHN. DATA / ITEMS SUPPLIED

- Steel, galvanized
- 3 set screws M8, with hexagonal socket SW4
- Stainless version **part no.** [21.0987/0](#)
- Weight = 0.094 kg/piece

APPLICATIONS

- Profile extension
- Fastening of roller elements in slide LW

ASSEMBLY

- Swing into profile groove
- Clamp with set screw
- No machining required
- For larger profile cross sections or higher loads, several clamping strips must be used
- By fixing the setscrews, the T-slot bar fits tight in the area of the groove sides