

Datasheet

s.90

full port 1/4"-4" hot forged brass ball valves



Quality:

- 24h 100% seal test guaranteed
- Dual sealing system allows valve to be operated in either direction making installation easier
- No metal-to-metal moving parts
- No maintenance ever required
- Handle clearly shows ball position
- Silicone-free lubricant on all seals
- Chrome plated brass ball for longer life
- Travel stops on body to avoid stresses at stem

Body:

- Hot forged sand blasted, external nickel plated brass body and cap sealed with Loctite® or equivalent thread sealant
- Finest brass according to EN 12165 and EN 12164 (formerly DIN 17660 and UNI 5705-65) specifications

Stem:

- Blowout-proof nickel plated brass stem
- Two FPM O-rings at the stem for maximum safety

Seals:

- Pure PTFE self-lubricating seats with flexible-lip design

PED Directives:

- According to 97/23 CE module A: it cannot be used with dangerous gases in sizes larger than 25mm



Threads:

- ISO 228 parallel female by female threads

Flow:

- Full port to DIN 3357 for maximum flow

Handle:

- Geomet® carbon steel handle with thick PVC dip coating. Handle coating offers both thermal and electrical protection
- Handle removable with valve in service

Working Pressure:

- 40 Bar (600 PSI) up to 2", 30 Bar (450 PSI) over 2"
- non-shock cold working pressure

Working Temperature:

- -40°C (-40°F) / +170°C (+350°F)
- Warning: freezing of the fluid in the installation may severely damage the valve

Options:

- Stem extension
- T-handle
- AISI 430 stainless steel handle
- Patented locking device
- Dezincification resistant brass body and components
- Oval lockable handle up to 2", round over 2"
- Male by Female threads
- Male by Male threads

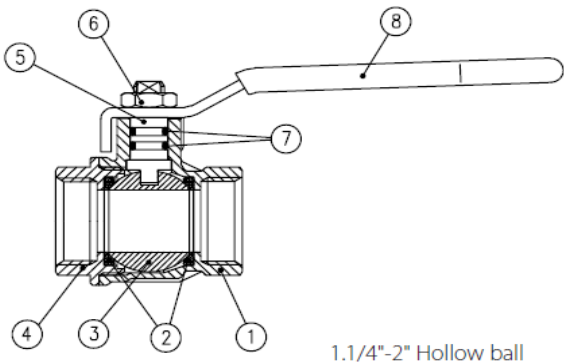
Upon Request:

- AISI 316 stainless steel ball
- Glass filled PTFE seals
- Custom Design

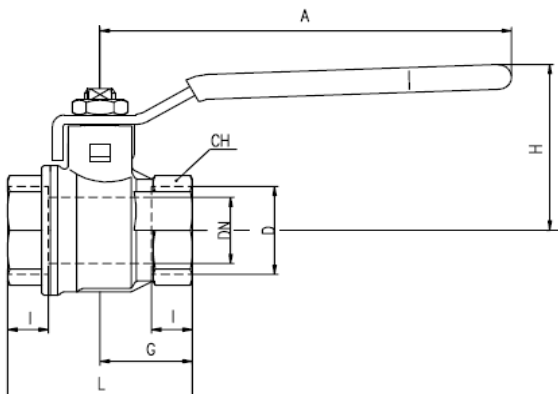
Approved by or in compliance with:

- Water Regulations Advisory Scheme (United Kingdom)
- GOST-R (Russia)
- Hygiene and epidemic center in Moscow city (Russia)
- UkrSepro (Ukraine)
- RoHS Compliant
- EAC - Declaration of conformity (Russia-Kazakhstan-Belarus)

NOTE: Approvals apply to specific configurations/sizes only.



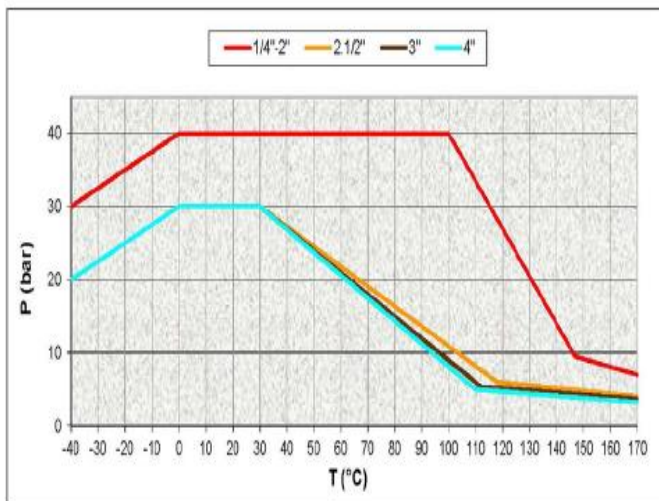
1.1/4"-2" Hollow ball



| PART DESCRIPTION | Q.TY | MATERIAL |
|--|------|----------|
| 1 Nickel plated body (external nickel plated, unplated inside up to 2") | 1 | CW617N |
| 2 Seat | 2 | PTFE |
| 3 Chrome plated ball | 1 | CW617N |
| 4 Nickel plated end cap (external nickel plated, unplated inside up to 2") | 1 | CW617N |
| 5 Nickel plated stem O-ring design | 1 | CW617N |
| 6 Geomet® nut | 1 | CB4FF |
| 7 O-Ring | 2 | FPM |
| 8 Red PVC coated Geomet® steel handle | 1 | DD11 |

| Code | S90B00 | S90C00 | S90D00 | S90E00 | S90F00 | S90G00 | S90H00 | S90I00 | S90L00 | S90M00 | S90N00 |
|----------|--------|--------|--------|--------|--------|--------|--------|--------|--------|--------|--------|
| D (inch) | 1/4 | 3/8 | 1/2 | 3/4 | 1 | 1 1/4 | 1 1/2 | 2 | 2 1/2 | 3 | 4 |
| DN (mm) | 8 | 10 | 15 | 20 | 25 | 32 | 40 | 50 | 65 | 80 | 100 |
| l (mm) | 9 | 9 | 11 | 12 | 14 | 15 | 17 | 19 | 22 | 25 | 29 |
| L (mm) | 39 | 39 | 50 | 54 | 67 | 77 | 90 | 106 | 136 | 157 | 191 |
| G (mm) | 19,5 | 19,5 | 25 | 27 | 33,5 | 38,5 | 45 | 53 | 68 | 78,5 | 95,5 |
| A (mm) | 82 | 82 | 100 | 120 | 120 | 158 | 158 | 158 | 255 | 255 | 255 |
| H (mm) | 38 | 38 | 43 | 50 | 54 | 73 | 79 | 86 | 132 | 140 | 154 |
| CH (mm) | 20 | 20 | 25 | 31 | 38 | 48 | 54 | 66 | 85 | 99 | 125 |

Pressure-Temperature Chart



Pressure Drop Chart

