

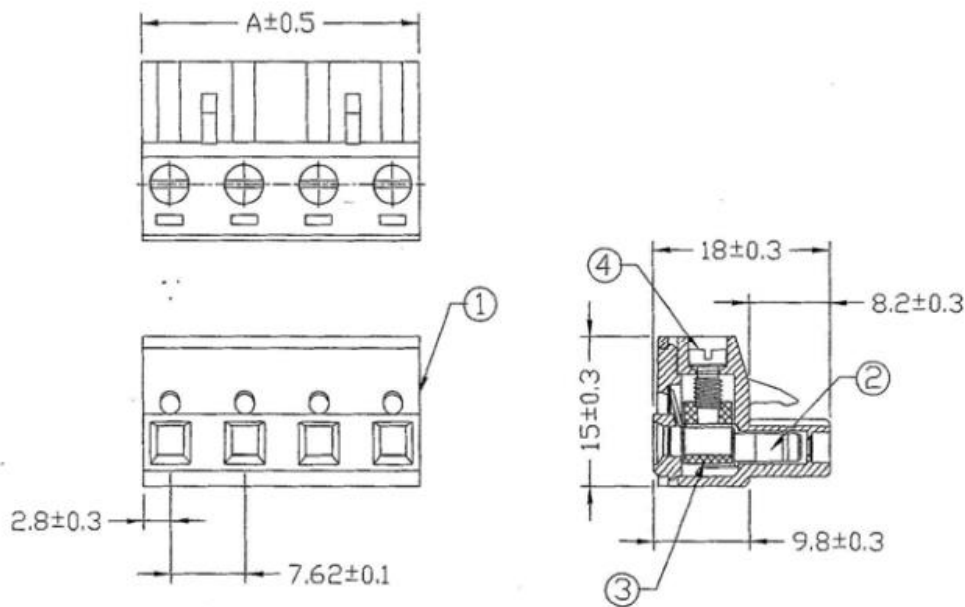
# Datasheet

## 3 way PCB terminal block 7.62mm

RS Stock 790-1137



### Dimensions: (mm)



### Specification

Current Rating: 15Amp AC300V  
 Insulation Withstands Volts: AC2000V Min  
 Insulation Resistance: >2000M Ω DC500V  
 Operation Temperature: -40°C to + 105°C  
 Wire Strip Length: 4mm~5mm  
 Wire Range: 14~24WG  
 Screw Torque: 4.5 lb-inch

### Material

Insulating Body: Polyamide 66(UL94V-0)  
 Contact: Phosphor Bronze / Finish: Tin Plated  
 Cage Clamp: Brass / Finish: Ni Plated  
 Screw: Steel / Finish: Zinc + Cr+3  
 RoHS Compliant