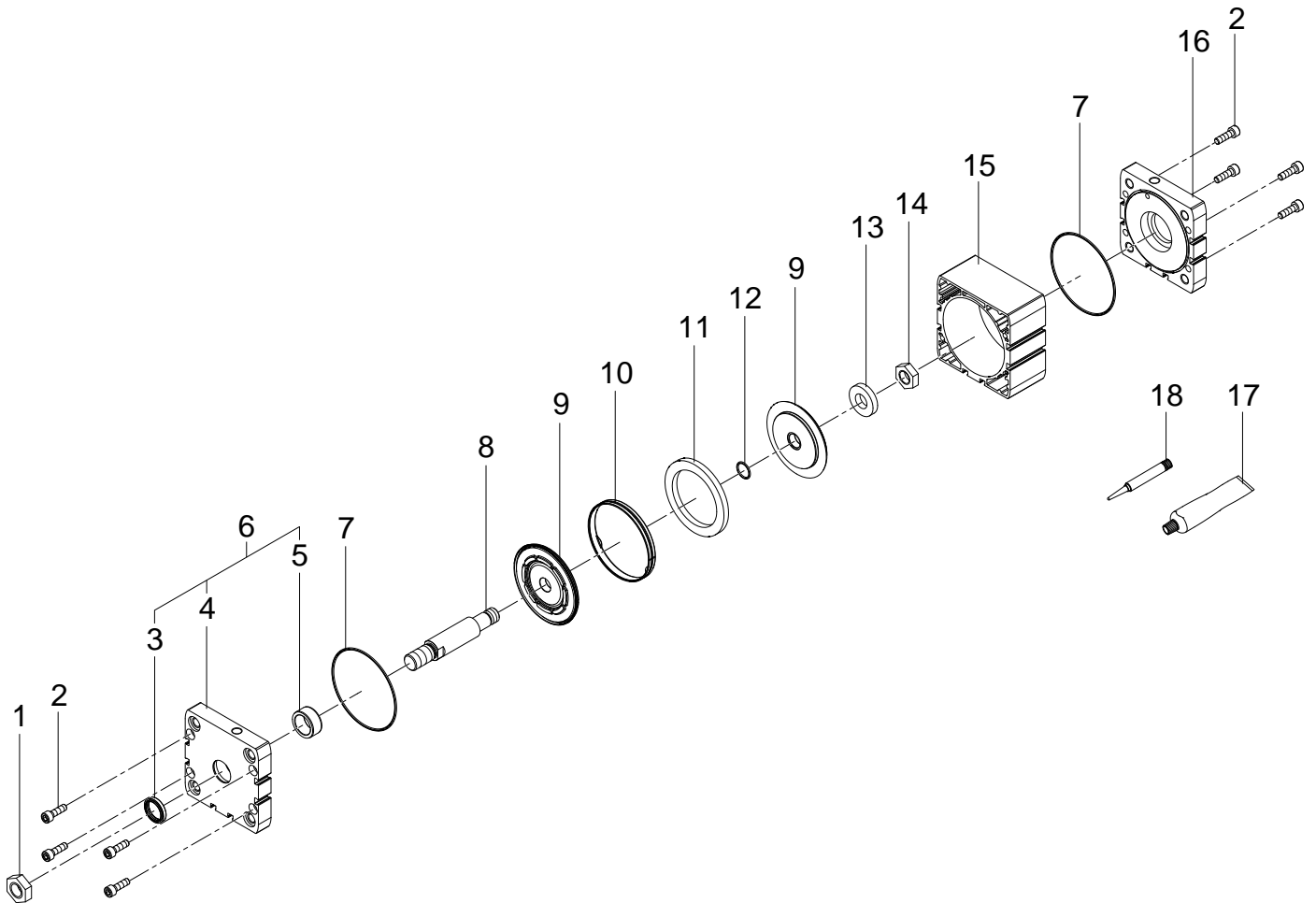


536379 ADN-100-40-A-P-A Compact cylinder - Series: All



536379 ADN-100-40-A-P-A Compact cylinder - Series: All

Pos.	Part no.	Type	Note	Qty.	Unit
A	673628	ADN-100-P-A Set of wearing parts	Spare parts: 3, 7, 9, 10, 12, 17, 18 ▶ Replacing the wearing parts	1	PC
1	200127	DIN 439-B-M16X1,5-04 Hex nut		1	PC
2		ISO 4762-M6X25-A2-70 Socket head screw	Not available Tightening torque 9 Nm / 6.6 lbf ft	8	PC
3	359748	WIFC1-20X25X4,6-TPE-U Wiper seal	Grease using during assembly. See position 17	1	PC
4		ADN-100:CO Bearing cap	Not available separately, see position 6	1	PC
5		ADN-80/100 Bearing	Not available separately, see position 6	1	PC
6	2665432	ADN-100/-PPS Bearing cap module		1	PC
7		B-100X1,5-N-NBR70 O-ring ISO3601	Not available separately, see position A Grease using during assembly. See position 17	2	PC
8	683600	ADN-100- - Piston rod	When ordering please specify the configuration (see type plate)	1	PC
9		BA-K01D-100-02-CFW Sealing piston	Not available separately, see position A	2	PC
10		BA-K01F-100 Guiding band	Not available separately, see position A	1	PC
11	4760183	96,8X85,3X4,9BA-K01M-100 Ring magnet		1	PC
12		B-14X1,5-N-NBR75 O-ring ISO3601	Not available separately, see position A Grease using during assembly. See position 17	1	PC
13	668949	DIN 7349-15 Disc		1	PC
14	204153	DIN 439-B-M14X1,5-04 Hex nut	Tightening torque 45.5 Nm / 33.6 lbf ft Use locking compound Loctite 270	1	PC
15		ADN-100-X- Cylinder barrel	Not available Grease using during assembly. See position 17	1	PC
16	1954962	ADN-100:CO End cap		1	PC
17	684474	LUB-KC1 SILIKONFREI 20ML Lubricating grease		1	PC
18	8181256	CYBERBOND TM44 TB1ML Adhesive bonding agent		1	PC