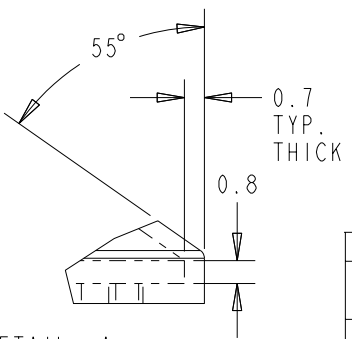
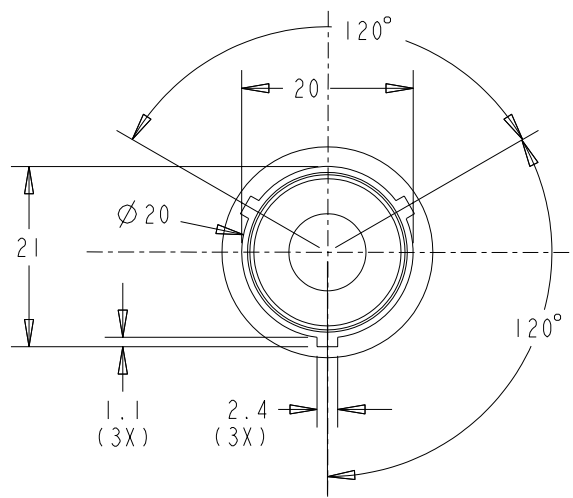
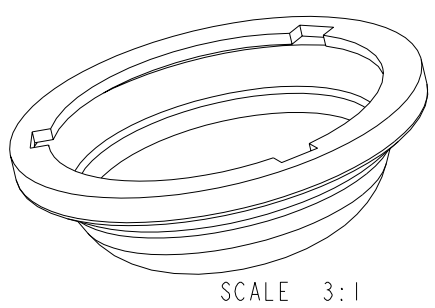
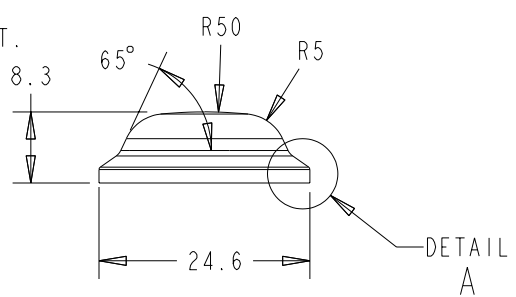

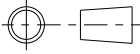


- NOTES:
1. MATERIAL: THERMOPLASTIC ELASTOMER + ANTI- ULTRAVIOLET.
 2. PACKING CARTONS CONTAINING THESE PARTS ARE TO BE MARKED BY PART NUMBER AND CURRENT REVISION LEVEL.
 3. ROHS COMPLIANT.



DETAIL A
SCALE 5:1

DWN: TLM		THE CONFIDENTIAL AND PROPRIETARY INFORMATION CONTAINED IN THIS DOCUMENT IS OWNED BY CHERRY ELECTRICAL PRODUCTS, A DIVISION OF THE CHERRY CORPORATION WHO MUST GIVE WRITTEN PERMISSION BEFORE THE DOCUMENT OR INFORMATION CAN BE COPIED, DISCLOSED OR USED IN ANY WAY.		 11200 88TH AVENUE PLEASANT PRAIRIE, WI 53158	
APVD: SG					
DATE: 07-Aug-06		ELECTRICAL PRODUCTS		NAME / DESCRIPTION	
THIRD ANGLE PROJECTION				RR/SRJ ROUND BOOT TPE	
METRIC		X.X		ANGLES	
± 0.3				± 2°	
PROJECT / ESR		06-0710		A ITEM NO. 00150751	
SCALE: 1.5:1				SH 1 OF 1	

B	15136	14-Aug-06	TLM	SG
REV	ECN NO.	DATE	PREP	APVD

ORIGINAL ON PROJE