

FIG. 1

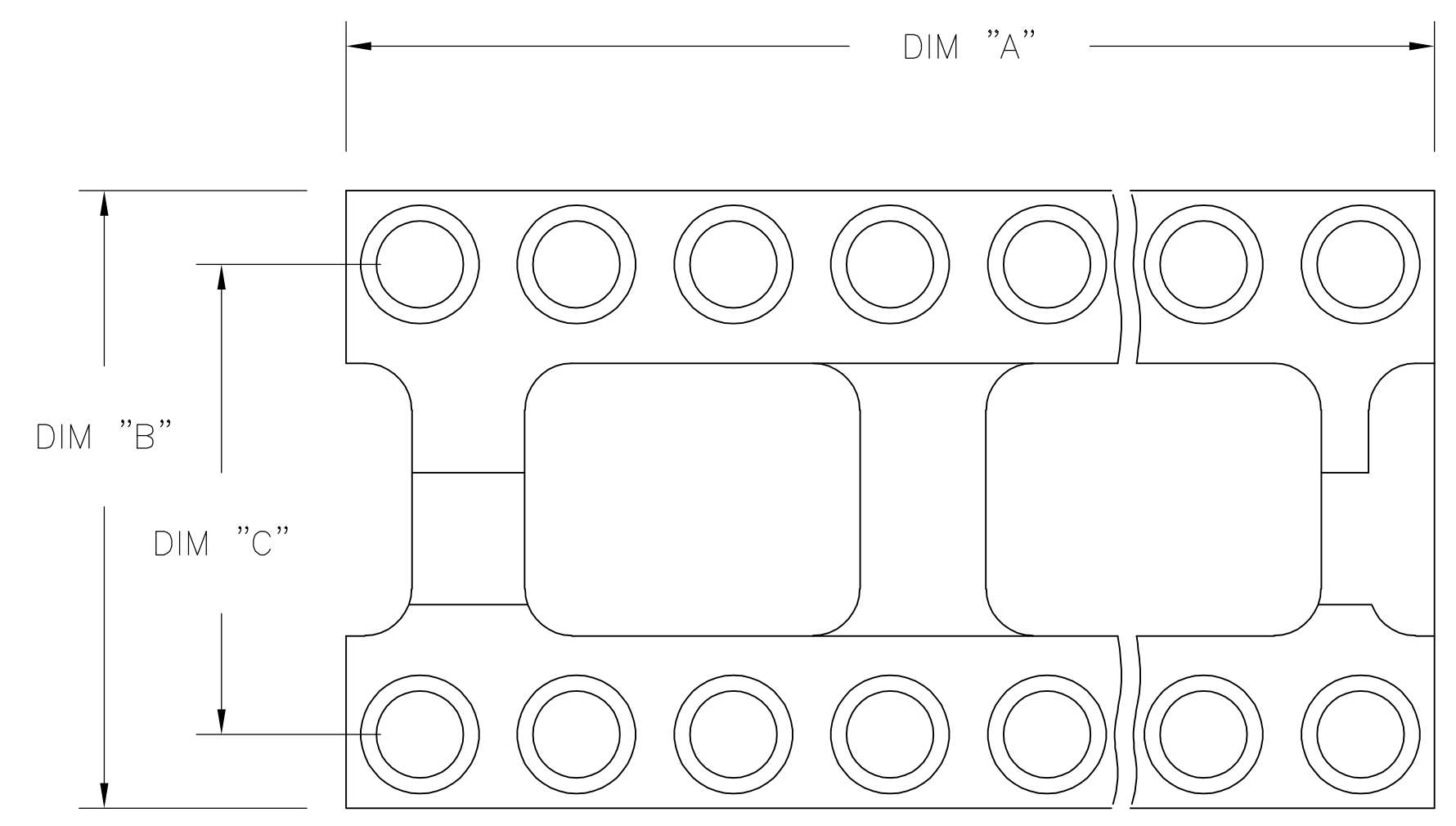


FIG. 2

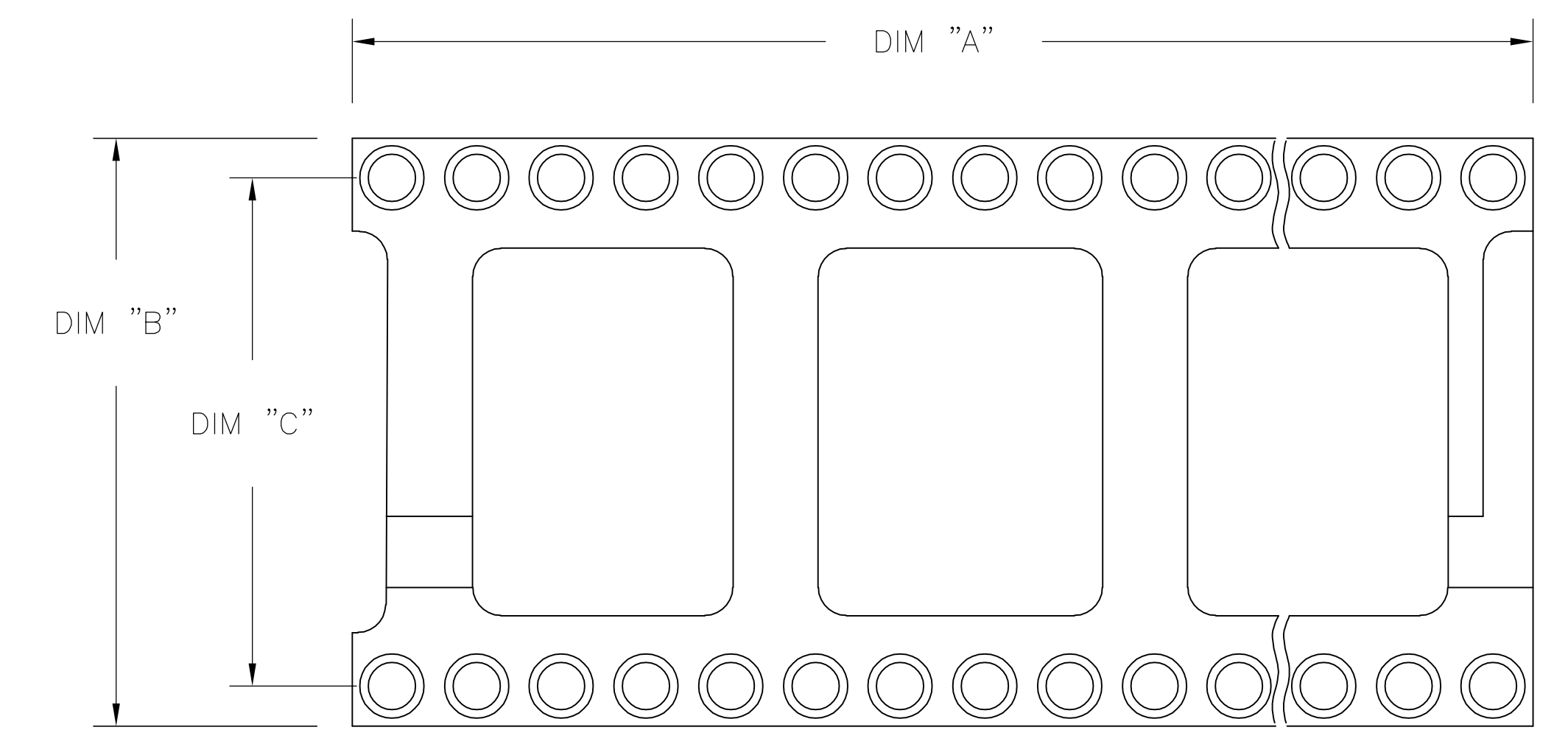
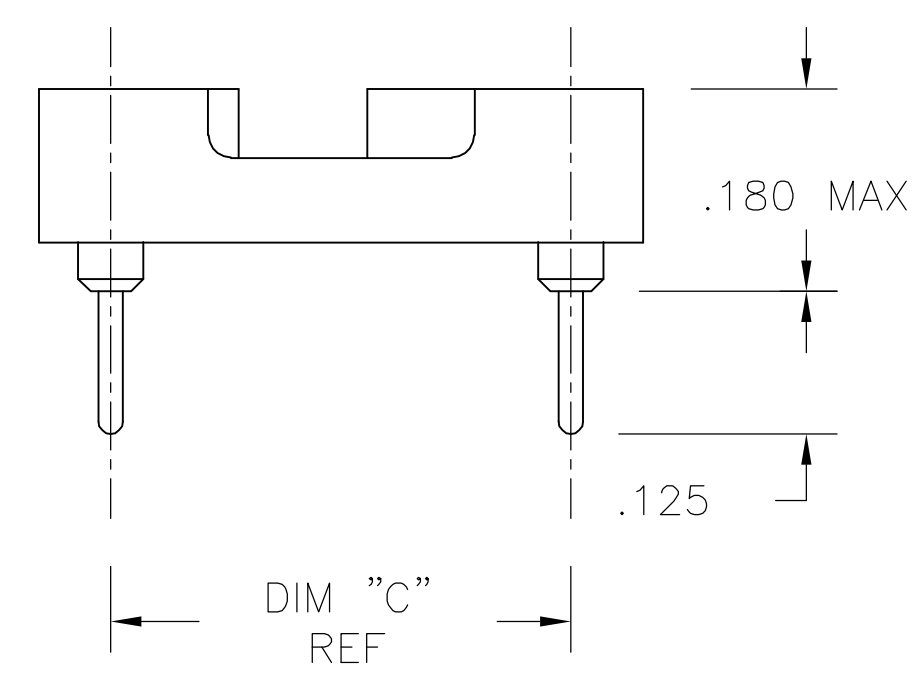
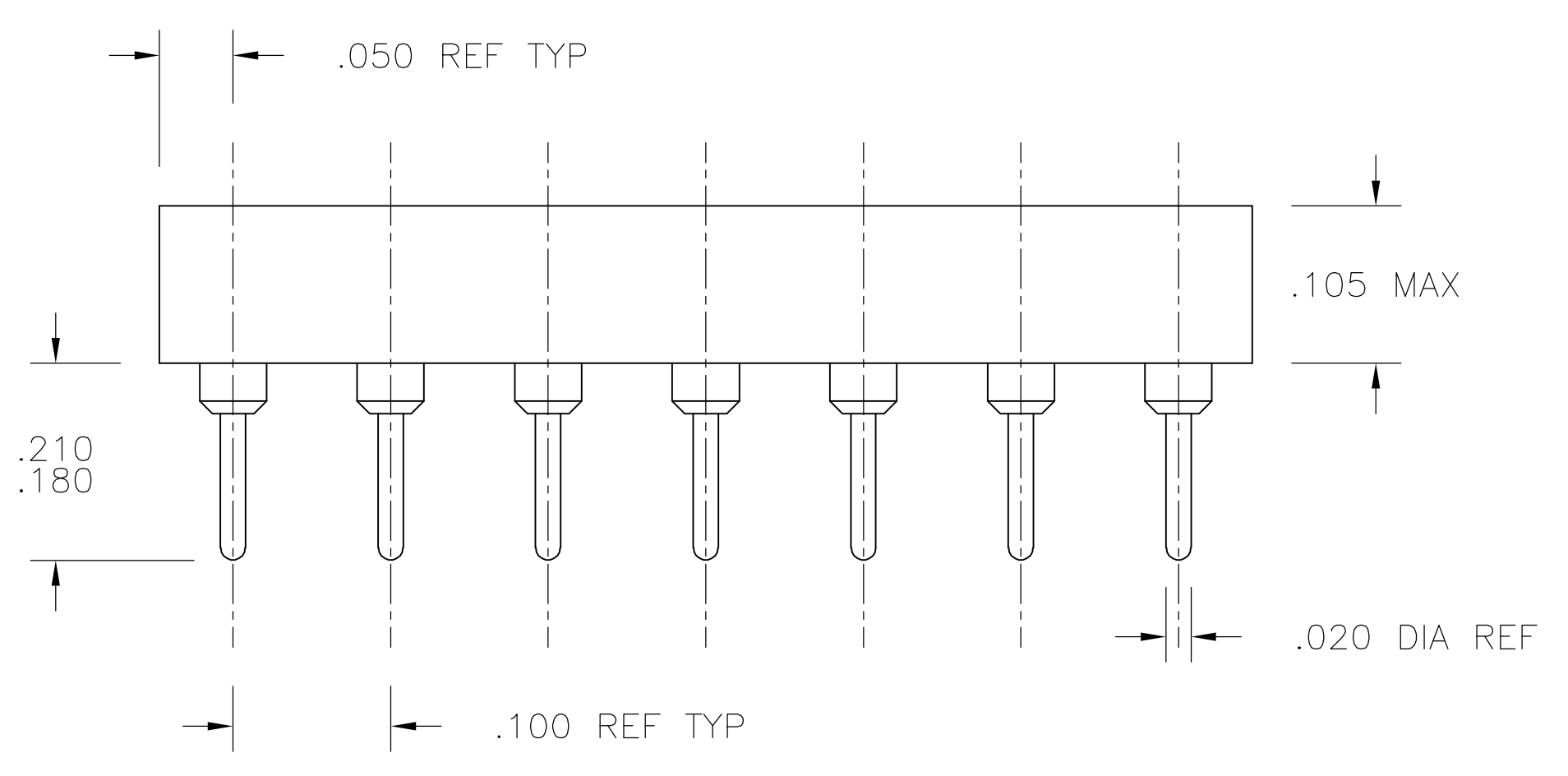
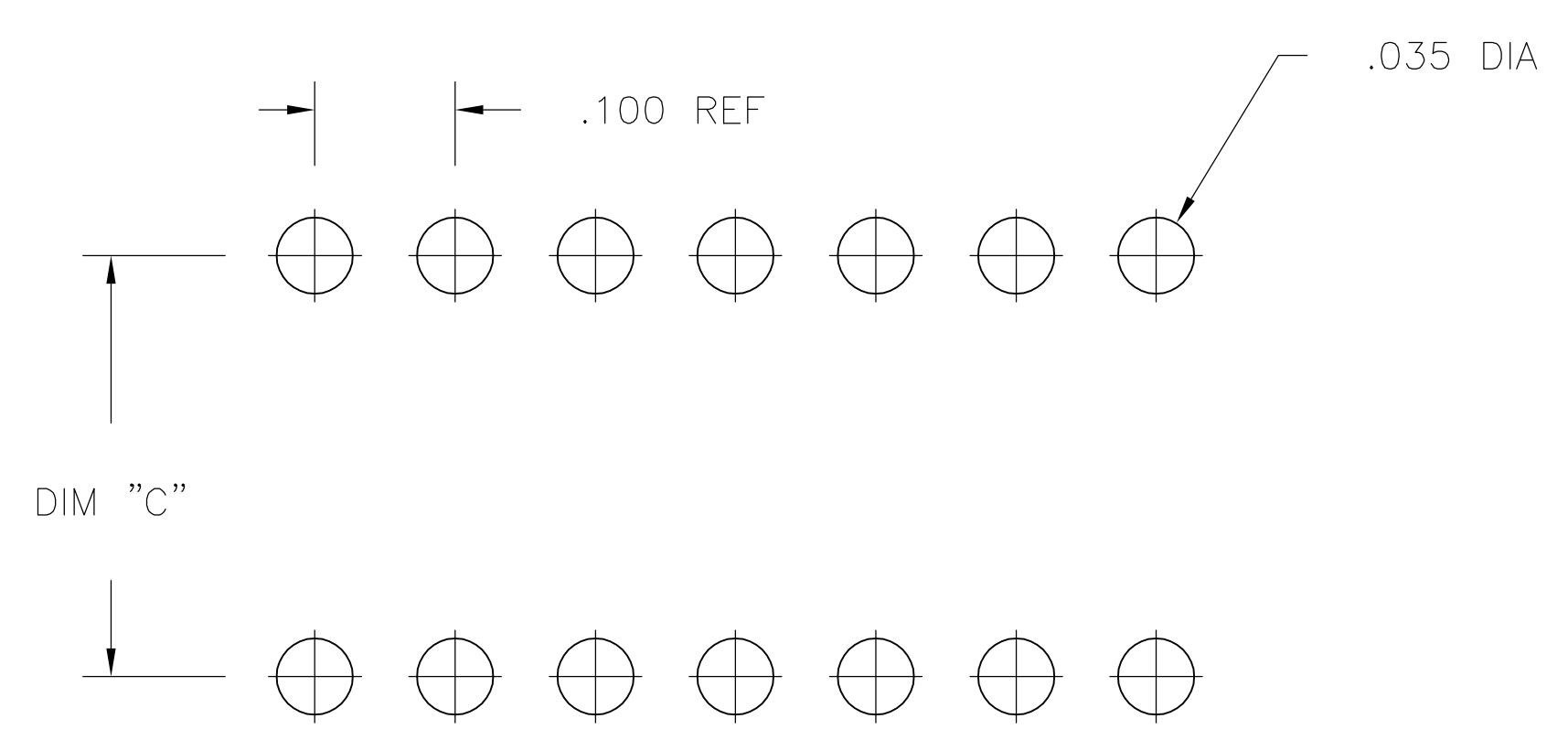


FIG. 3



1. INSULATOR MATERIAL - THERMOPLASTIC POLYESTER, PCT, BLACK, UL94 V-0
2. MACHINED CONTACT - BECU, PLATED WITH 80-200μ" TIN (LEAD FREE) OVER 75-100μ" COPPER.
3. SLEEVE - COPPER, PLATED WITH 180-340μ" THK TIN (LEAD FREE) OVER 75-125 MIN NICKEL.
4. MACHINED CONTACT - BECU, PLATED WITH 25μ" MIN. GOLD OVER 30-100μ" NICKEL.
5. ELECTRICAL:
 CONTACT RESISTANCE: 10 MILLIOHMS MAX
 CONTACT RATING: 3 AMPS
 CAPACITANCE: 1.0 pF PER MIL-STD-202, METHOD 305
 INSULATION RESISTANCE: 5000 OHMS MIN @ 500 VDC PER MIL-STD-1344, METHOD 3003.1
 DIELECTRIC WITHSTANDING VOLTAGE: 1000 VOLTS (RMS) PER MIL-STD-1344, METHOD 3001.1
6. MECHANICAL:
 INSERTION FORCE: 134 GRAMS AVG
 WITHDRAWAL FORCE: 63 GRAMS AVG
 "ACCEPTS IC PIN - .009"X.015" THROUGH .011"X.020", OR .016" TO .021" DIAMETER, .150/.105 LONG"
7. ENVIRONMENTAL:
 OPERATING TEMPERATURE: -55°C TO -105°C




P.C.B. HOLE LAYOUT
 TOLERANCE ±.003

THIS DRAWING IS A CONTROLLED DOCUMENT.		DWN T.KRAYBILL 07NOV03	Tyco Electronics Corporation Harrisburg, Pa 17105-3608	
DIMENSIONS: INCHES		CHK K.WRIGHT	NAME K.WRIGHT	
TOLERANCES UNLESS OTHERWISE SPECIFIED:		APPD K.WRIGHT	PRODUCT SPEC	
0 PLG	± .005	APPLICATION SPEC	SIZE A1	
1 PLG	± .005	RESTRICTED TO	CAGE CODE 00779	
2 PLG	± .005	RESTRICTED TO	DRAWING NO 1571586	
3 PLG	± .005	RESTRICTED TO	SCALE 4:1	
4 PLG	± .005	RESTRICTED TO	SHEET 1 OF 2	
ANGLES	± .005	RESTRICTED TO	REV B	
MATERIAL		WEIGHT	CUSTOMER DRAWING	

△ ₃ △ ₄	GOLD	TIN	.400±.005	.500	1.200	2	24	3-1571586-7
△ ₃ △ ₄	GOLD	TIN	.300±.005	.400	1.200	2	24	3-1571586-6
△ ₃ △ ₄	GOLD	TIN	.900±.005	1.000	3.200	3	64	3-1571586-5
△ ₃ △ ₄	GOLD	TIN	.600±.005	.700	2.400	3	48	3-1571586-4
△ ₃ △ ₄	GOLD	TIN	.600±.005	.700	2.100	3	42	3-1571586-3
△ ₃ △ ₄	GOLD	TIN	.600±.005	.700	2.000	3	40	3-1571586-2
△ ₃ △ ₄	GOLD	TIN	.600±.005	.700	1.800	3	36	3-1571586-1
△ ₃ △ ₄	GOLD	TIN	.600±.005	.700	1.600	3	32	3-1571586-0
△ ₃ △ ₄	GOLD	TIN	.600±.005	.700	1.400	2	28	2-1571586-9
△ ₃ △ ₄	GOLD	TIN	.600±.005	.700	1.200	2	24	2-1571586-8
△ ₃ △ ₄	GOLD	TIN	.400±.005	.500	1.100	2	22	2-1571586-7
△ ₃ △ ₄	GOLD	TIN	.300±.005	.400	1.000	2	20	2-1571586-6
△ ₃ △ ₄	GOLD	TIN	.300±.005	.400	.900	2	18	2-1571586-5
△ ₃ △ ₄	GOLD	TIN	.300±.005	.400	.800	2	16	2-1571586-4
△ ₃ △ ₄	GOLD	TIN	.300±.005	.400	.700	2	14	2-1571586-3
△ ₃ △ ₄	GOLD	TIN	.300±.005	.400	.400	1	8	2-1571586-2
△ ₃ △ ₂	TIN	TIN	.400±.005	.500	1.200	2	24	1-1571586-7
△ ₃ △ ₂	TIN	TIN	.300±.005	.400	1.200	2	24	1-1571586-6
△ ₃ △ ₂	TIN	TIN	.900±.005	1.000	3.200	3	64	1-1571586-5
△ ₃ △ ₂	TIN	TIN	.600±.005	.700	2.400	3	48	1-1571586-4
△ ₃ △ ₂	TIN	TIN	.600±.005	.700	2.100	3	42	1-1571586-3
△ ₃ △ ₂	TIN	TIN	.600±.005	.700	2.000	3	40	1-1571586-2
△ ₃ △ ₂	TIN	TIN	.600±.005	.700	1.800	3	36	1-1571586-1
△ ₃ △ ₂	TIN	TIN	.600±.005	.700	1.600	3	32	1-1571586-0
△ ₃ △ ₂	TIN	TIN	.600±.005	.700	1.400	2	28	1571586-9
△ ₃ △ ₂	TIN	TIN	.600±.005	.700	1.200	2	24	1571586-8
△ ₃ △ ₂	TIN	TIN	.400±.005	.500	1.100	2	22	1571586-7
△ ₃ △ ₂	TIN	TIN	.300±.005	.400	1.000	2	20	1571586-6
△ ₃ △ ₂	TIN	TIN	.300±.005	.400	.900	2	18	1571586-5
△ ₃ △ ₂	TIN	TIN	.300±.005	.400	.800	2	16	1571586-4
△ ₃ △ ₂	TIN	TIN	.300±.005	.400	.700	2	14	1571586-3
△ ₃ △ ₂	TIN	TIN	.300±.005	.400	.400	1	8	1571586-2

FINISH CONTACT/SLEEVE	"C" MAX	"B" MAX	"A" MAX	FIG	NO. OF POSN	PART NO.
-----------------------	---------	---------	---------	-----	-------------	----------

THIS DRAWING IS A CONTROLLED DOCUMENT.		DIN T. KRAYBILL 07NOV03	 Tyco Electronics Corporation Harrisburg, Pa 17105-3608
DIMENSIONS: INCHES		CHK K. WRIGHT	
TOLERANCES UNLESS OTHERWISE SPECIFIED:		APP'D K. WRIGHT	NAME
0 PLC ± -		PRODUCT SPEC	OPEN FRAME DIP, PREMIUM (MACHINE CONTACT), LEAD FREE (REF AUGAT 800 SERIES)
1 PLC ± -		APPLICATION SPEC	SIZE
2 PLC ± -		WEIGHT	CODE
3 PLC ± .005		CUSTOMER DRAWING	DRAWING NO
4 PLC ± -		SCALE 1:1	RESTRICTED TO
ANGLES ± -		SHEET 2 OF 2	REV
FINISH		SCALE 1:1	REV