

## FEATURES

- RoHS compliant
- 3.3µH to 330µH
- Surface mount
- J-STD-020C reflow
- Up to 5.20A I<sub>DC</sub>
- UL94 V-0 package materials
- Compact size
- Toroidal construction minimizes EMI
- Pick & place compatible
- Backward compatible with Sn/Pb soldering systems

## PRODUCT OVERVIEW

The 4000 series is a range of surface mount toroidal inductors designed for use in switching power supplies and DC/DC converters. The parts are ideal for applications requiring low profile compact components in a surface mount package.

## SELECTION GUIDE

Order Code	Inductance (10kHz, 10mVac)	Inductance Range (10kHz, 10mVac)	DC Current <sup>1</sup>	DC Resistance
	Nom. µH	Min. - Max. µH	Max. A	Max. mΩ
<b>To Be Discontinued</b>				
<b>403R3C</b>	3.3	2.4-3.9	5.20	17
<b>404R7C</b>	4.7	3.7-6.1	4.40	19
<b>406R8C</b>	6.8	5.3-8.8	3.60	20
<b>40100C</b>	10	7.2-12.0	3.00	23
<b>40150C</b>	15	11.9-19.8	2.40	30
<b>40220C</b>	22	16.2-27.0	2.10	35
<b>40330C</b>	33	24.8-41.4	1.66	54
<b>40470C</b>	47	35.3-58.9	1.42	79
<b>40680C</b>	68	50.3-83.9	1.20	148
<b>40101C</b>	100	74.4-124	0.94	177
<b>40151C</b>	150	115-192	0.76	273
<b>40221C</b>	220	165-275	0.67	405
<b>40331C</b>	330	247-412	0.54	610

## ABSOLUTE MAXIMUM RATINGS

Operating free air temperature range	-40°C to 85°C
Storage temperature range	-40°C to 125°C

## SOLDERING INFORMATION<sup>2</sup>

Peak reflow temperature	245°C
Pin finish	Pure tin dip

All specifications typical at T<sub>A</sub>=25°C

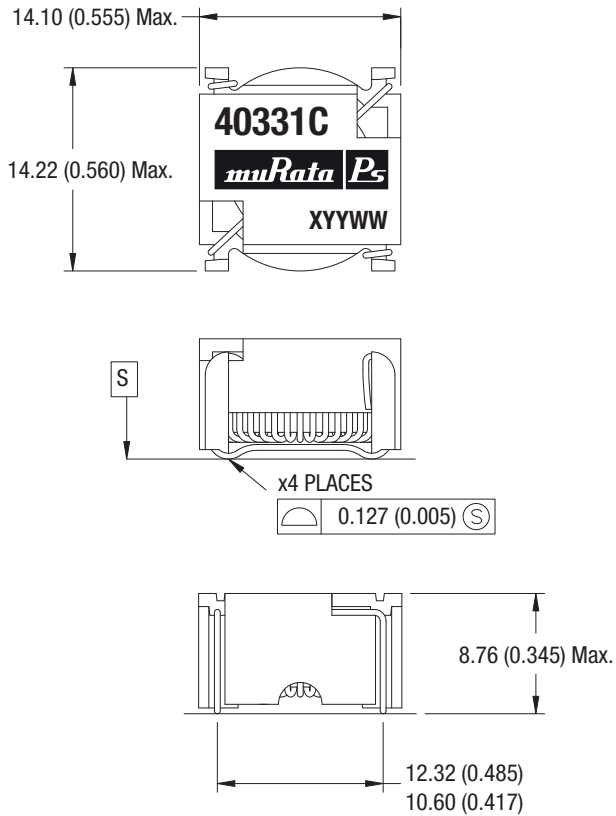
- 1 Maximum DC current occurs when either the inductance falls to 75% of its nominal value or when its temperature rise reaches 40°C, whichever is sooner.
- 2 For further information, please visit [www.murata-ps.com/rohs](http://www.murata-ps.com/rohs)



For full details go to  
[www.murata-ps.com/rohs](http://www.murata-ps.com/rohs)

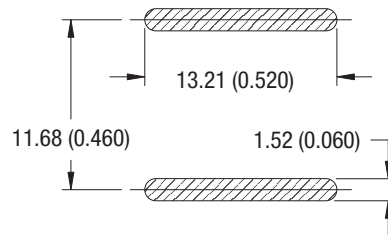
**PACKAGE SPECIFICATIONS**

**MECHANICAL DIMENSIONS**



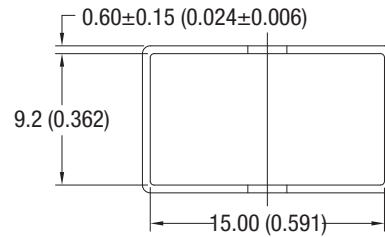
All dimensions in mm (inches).  
Package weight 3.2g.

**RECOMMENDED FOOTPRINT DETAILS**



All dimensions in mm (inches).

**TUBE OUTLINE DIMENSIONS**



All dimensions in mm (inches).  
Tube quantity: 30  
Tube material: Antistatic coated clear PVC  
Tube length: 475±2 [18.701±0.079]