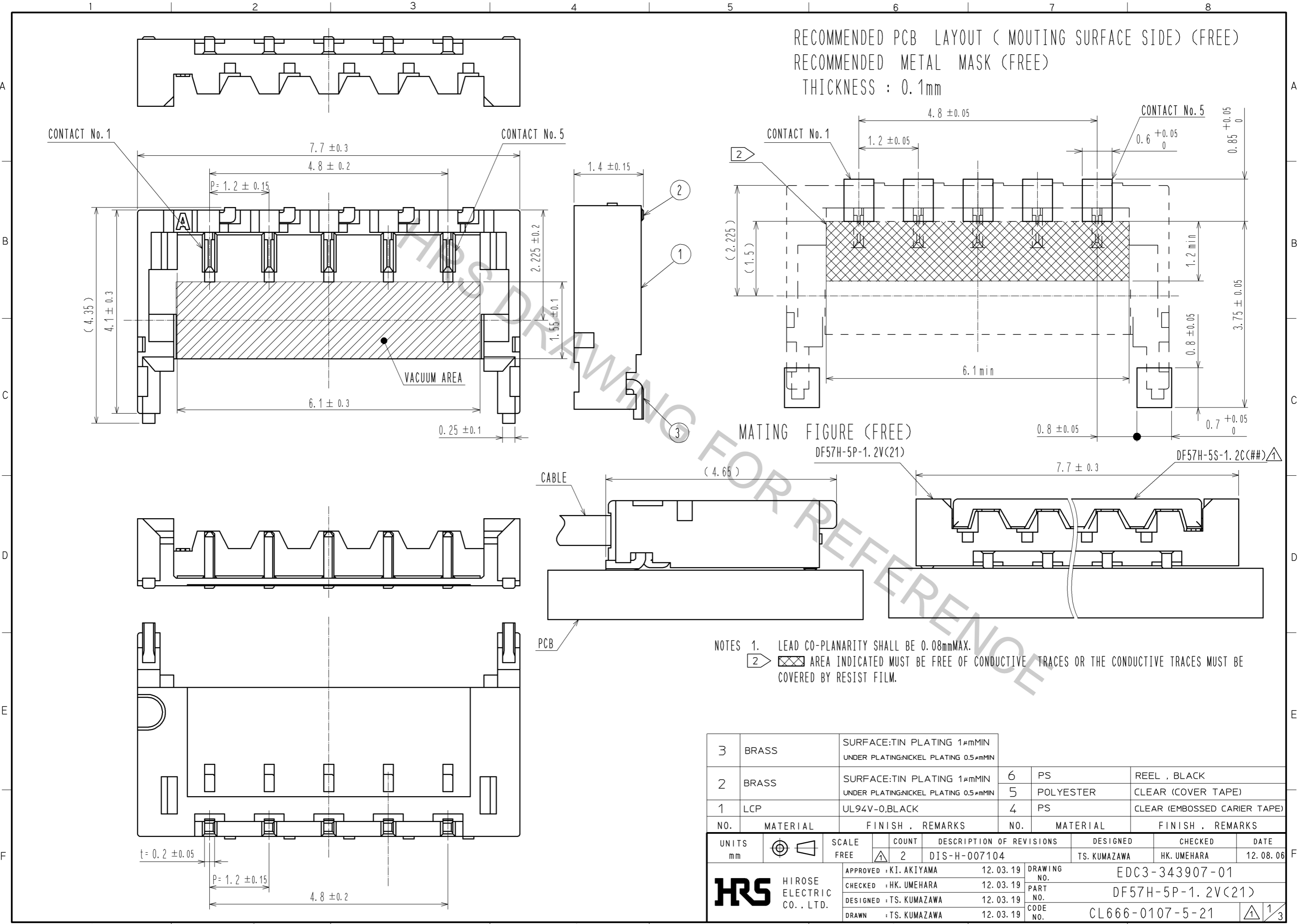


May.1.2017 Copyright 2017 HIROSE ELECTRIC CO., LTD. All Rights Reserved.



RECOMMENDED PCB LAYOUT (MOUNTING SURFACE SIDE) (FREE)
 RECOMMENDED METAL MASK (FREE)
 THICKNESS : 0.1mm

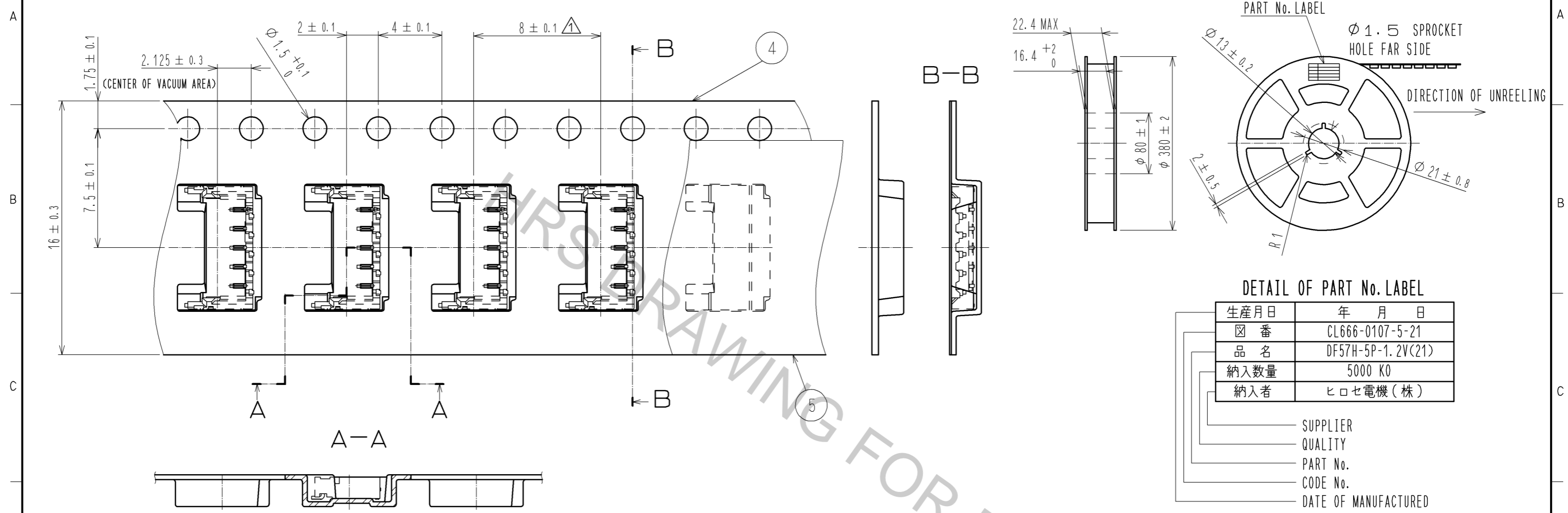
MATING FIGURE (FREE)
 DF57H-5P-1.2V(21)
 DF57H-5S-1.2C(##)1

- NOTES 1. LEAD CO-PLANARITY SHALL BE 0.08mmMAX.
 2. AREA INDICATED MUST BE FREE OF CONDUCTIVE TRACES OR THE CONDUCTIVE TRACES MUST BE COVERED BY RESIST FILM.

3	BRASS	SURFACE:TIN PLATING 1μmMIN UNDER PLATING:NICKEL PLATING 0.5μmMIN	6	PS	REEL , BLACK
2	BRASS	SURFACE:TIN PLATING 1μmMIN UNDER PLATING:NICKEL PLATING 0.5μmMIN	5	POLYESTER	CLEAR (COVER TAPE)
1	LCP	UL94V-0,BLACK	4	PS	CLEAR (EMBOSSD CARRIER TAPE)
NO.	MATERIAL	FINISH , REMARKS	NO.	MATERIAL	FINISH , REMARKS
UNITS mm		SCALE FREE	COUNT 2	DESCRIPTION OF REVISIONS DIS-H-007104	
DESIGNED TS. KUMAZAWA		CHECKED HK. UMEHARA		DATE 12.08.06	
APPROVED : KI. AKIYAMA 12.03.19		DRAWING NO. EDC3-343907-01			
CHECKED : HK. UMEHARA 12.03.19		PART NO. DF57H-5P-1.2V(21)			
DESIGNED : TS. KUMAZAWA 12.03.19		CODE NO. CL666-0107-5-21			
DRAWN : TS. KUMAZAWA 12.03.19					

May.1.2017 Copyright 2017 HIROSE ELECTRIC CO., LTD. All Rights Reserved.

STYLE AND DIMENSION OF REEL (FREE)

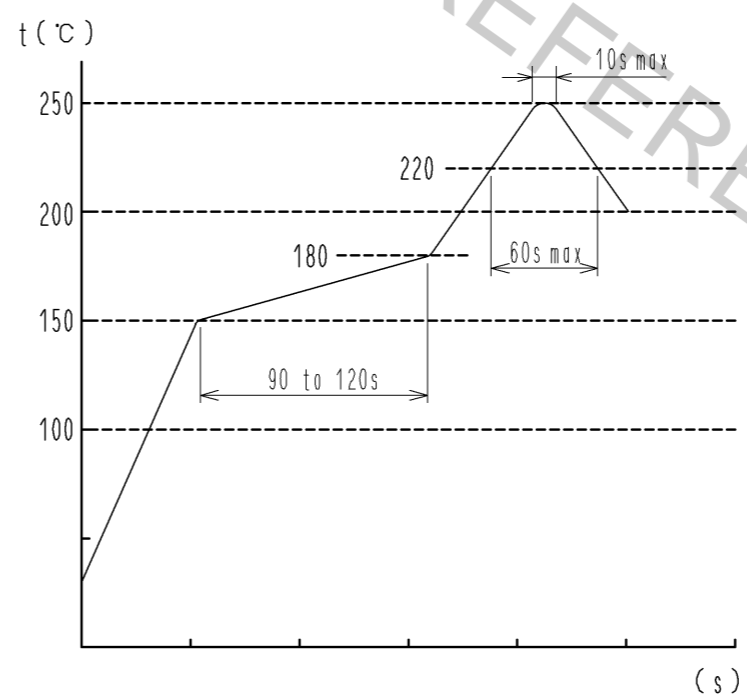


DETAIL OF PART No. LABEL

生産月日	年 月 日
図 番	CL666-0107-5-21
品 名	DF57H-5P-1.2V(21)
納入数量	5000 KO
納入者	ヒロセ電機(株)

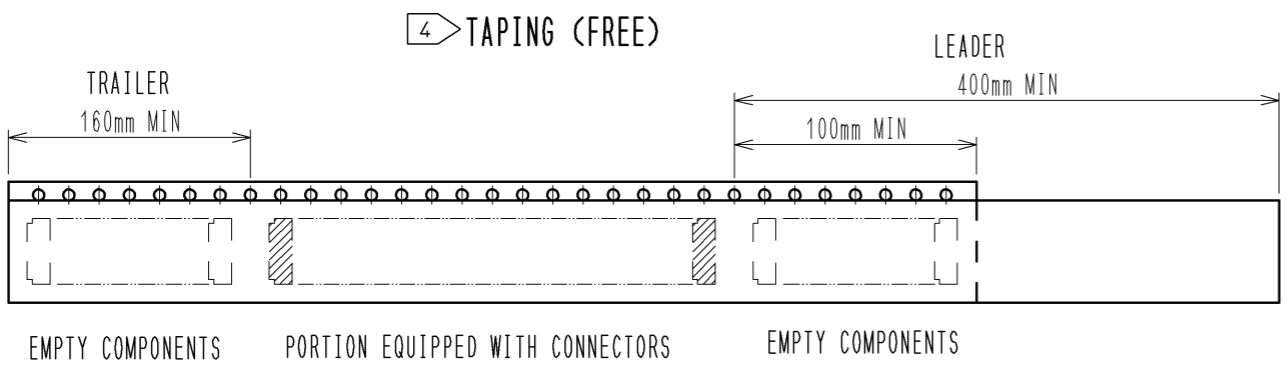
- SUPPLIER
- QUALITY
- PART No.
- CODE No.
- DATE OF MANUFACTURED

REFLOW TEMPERATURE PROFILE USING LEAD-FREE SOLDER PASTE (REFERENCE)



NUMBER OF REFLOW CYCLES 2 CYCLES MAX.
THE TEMPERATURE IS MEASURED IN THE TERMINAL LEAD PART.

ADDITIONAL FACTORS, SUCH AS SOLDER PASTE TYPE, PCB SIZE AND OTHER MOUNTED COMPONENTS COULD AFFECT THE PROFILE. THEREFORE, A THOROUGH EVALUATION OF MOUNTING CONDITION IS REQUIRED PRIOR TO PRODUCTION. TEMPERATURE IS MEASURED AT CONTACT LEAD.



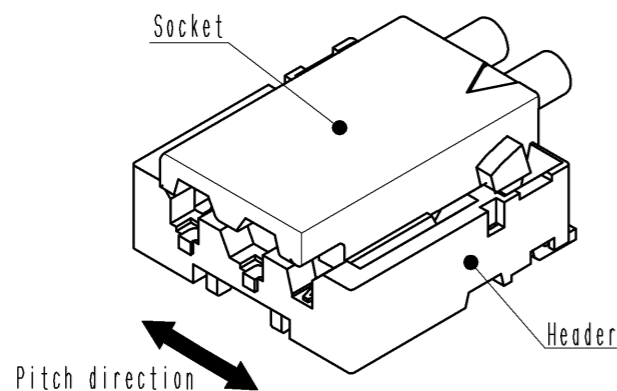
- NOTES
3. 1 REEL : 5000 CONNECTORS
 4. REEL TO JIS C 0806. (PACKAGING OF COMPONENTS FOR AUTOMATIC HANDLING)
 5. THE DIMENSIONS IN PARENTHESES ARE FOR REFERENCE.

HRS	DRAWING NO.	EDC3-343907-01
	PART NO.	DF57H-5P-1.2V(21)
	CODE NO.	CL666-0107-5-21
		2/3

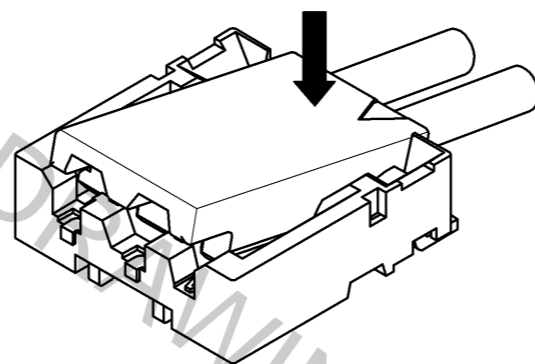
DF57 Series Mating / Unmating Operation Instruction

Mating

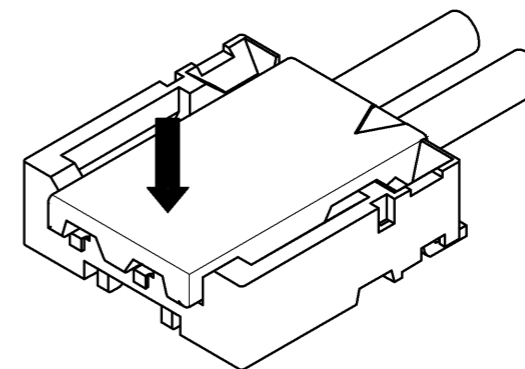
① By positioning the convexity of the socket sides to the header concavity, align the centers of the socket and the header in pitch direction.



② Slightly press the socket down at cable side to tilted angle.

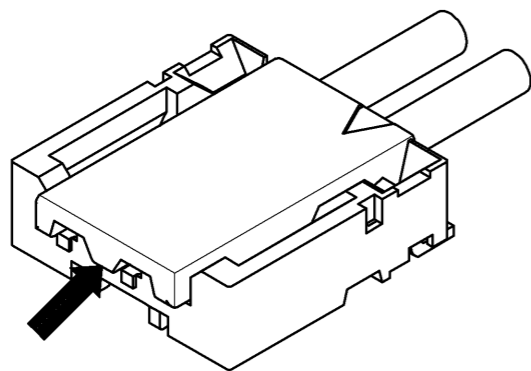


③ Press down at the lever side with stabilizing the cable side to insert. Mating completes.

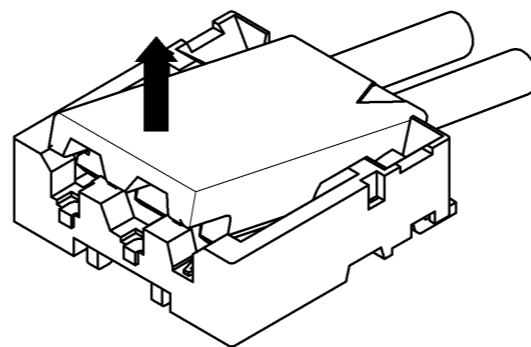


Unmating

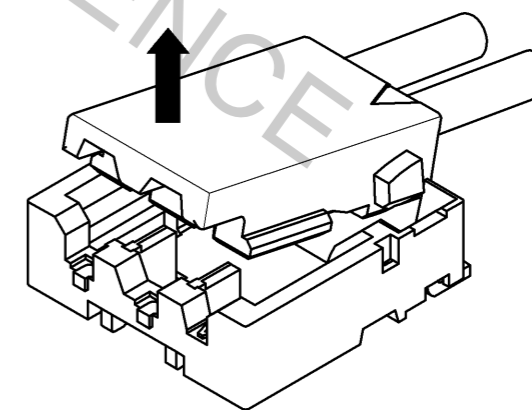
① Hook the lever with finger nail.



② Lift up to the upper direction and friction lock is released.



③ Lift up to the upper direction and positive lock is released. Removal completes.



HRS	DRAWING NO.	EDC3-343907-01
	PART NO.	DF57H-5P-1.2V(21)
	CODE NO.	CL666-0107-5-21
		3/3