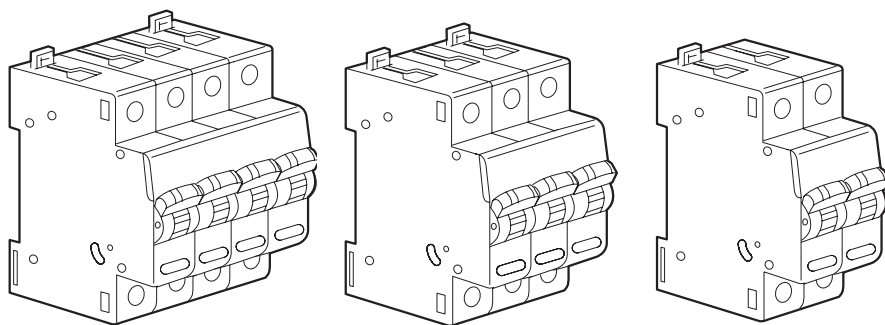


Lexic DX-IS tripping isolating switches

Cat. Nos : 023 56/57/58/59/66/67/68/69/76/77/78/79



CONTENT	Page
1. Use	1
2. Range	1
3. Overall dimensions	1
4. Technical characteristics	1
5. Conformity	2
6. Mounting, fixing	2
7. Accessories	3

1. USE

Tripping isolating switches to break and isolate electrical circuits. Visible contact indication in the front face. Visible contact fault indication.

2. RANGE

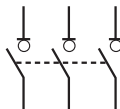
Two-pole

40 A
63 A
100 A
125 A



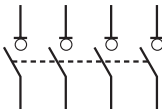
Three-pole

40 A
63 A
100 A
125 A

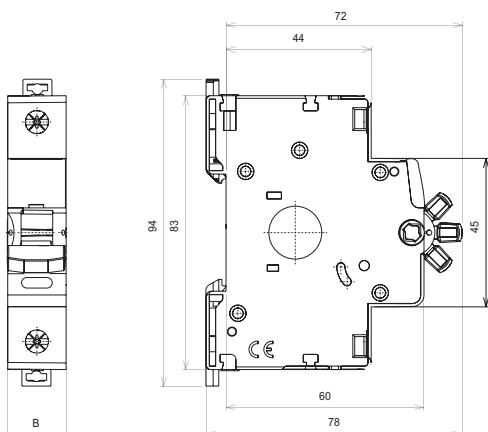


Four-pole

40 A
63 A
100 A
125 A



3. OVERALL DIMENSIONS



3. OVERALL DIMENSIONS (continued)

Distance	2-pole	3-pole	4-pole
B	35.5	53.5	71.5

4. GENERAL CHARACTERISTICS

4.1 Technical characteristics

Thermal rating	40 A	63 A	100 A	125 A
Insulation voltage	250/ 400 V	250/ 400 V	250/ 400 V	250/ 400 V
Dissipated power per pole	1.7 W	2.7 W	6.1 W	7.6 W
1 s resistant current (I _{cw})	1700 A	1700 A	2500 A	2500 A
Impulse withstand voltage (U _{imp})	4 KV	4 KV	4KV	4KV
Dielectric strength	2 KV	2 KV	2 KV	2 KV
Degree of pollution	2	2	2	2
AC 22 A - IEC 60947.3	40 A	63 A	100 A	125 A
AC 23 A - IEC 60947.3	40 A	40 A	63 A	63 A
I _{cm}	3000 A	3000 A	3700 A	3700 A

4. GENERAL CHARACTERISTICS (continued)

4.2 Mechanical characteristics

- Operating temperature : - 5° C to + 40° C
 - Storage temperature : - 10° C to + 70° C
 - Resistance to glow-wire test : 960° C, 30 s
 - Endurance : 30 000 operations
 - Materials :
 - Enclosure : PBT
 - Screws : zing-plated bichromate steel
 - Contacts : silver-plated + silver rivet
 - Colour : grey Ral 7035.
 - Protection index : Classe II \square
IP2x IK05
 - **Direct contact protection** : IP2x wired.
- For 100 to 125 A from 25²

4.3 Short-circuit resistance

Caution : the isolating switch should also be protected against overloads

Upstream protection by :	BIPOLAR (230V~)			BIPOLAR (400V~)			TETRAPOLAR (230/400V~)				
	40	63	100	40	63	100	40	63	100	125	
M.C.B. type B or C											
DNX ³ 4 500 A / 4,5 kA PhN	10 kA*										
DX ³ 4 500 A / 6 kA PhN	10 kA*										
DX ³ 4 500 A / 6 kA 3P/4P in 3M	10 kA*			10 kA*			10 kA*				
DX ³ 6 000 A / 10 kA PhN	10 kA										
DX ³ 6 000 A / 10 kA 3P/4P in 3M	10 kA			10 kA			10 kA				
DX ³ 6 000 A / 10 kA UNI, BI, TRI and TETRA	10 kA	10 kA	9 kA	10 kA	10 kA	8 kA	10 kA	10 kA	8 kA	8 kA	8 kA
DX ³ 10 000 A / 16 kA UNI, BI, TRI and TETRA	10 kA	10 kA	9 kA	10 kA	10 kA	8 kA	10 kA	10 kA	8 kA	8 kA	8 kA
DX ³ 25 kA; 36 kA; 50 kA UNI, BI, TRI and TETRA	10 kA	10 kA	9 kA	10 kA	10 kA	8 kA	10 kA	10 kA	8 kA	8 kA	8 kA
DPX ³ 160 16 kA; 25kA; 36 kA; 50 kA UNI, BI, TRI and TETRA	6 kA	6 kA	6 kA	4 kA	4 kA	4 kA	4 kA	4 kA	4 kA	4 kA	4 kA
Fuse type gG											
40 - 63 - 100 - 125 A	15 kA	15 kA	12 kA	12 kA	12 kA	10 kA	12 kA	12 kA	10 kA	10 kA	10 kA

* Resistance beyond the breaking capacity of the upstream circuit breaker if the latter is combined with another upstream circuit breaker (see circuit breaker association tables or the relevant technical data sheet).

5. CONFORMITY

Conform to standards : IEC/EN 60669-1 ≤ 63 A ; IEC/EN 60947-3

6. MOUNTING, FIXING

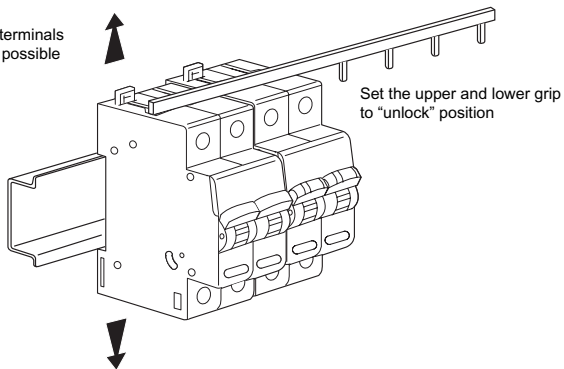
- Fixing
- On an EN.50-022 symmetrical rail
- With Ø 3 screws on plate by ends of disengaged claws
- Power supply from the top or bottom
- Upright operating position.

Connection	40/63 A	100/125 A
Usable conductors Flexible with ferrules Rigid	1.5 to 25 mm ² 1.5 to 35 mm ²	6 to 35 mm ² 4 to 50 mm ²
Tools required Flat blade screwdriver Cross-head screwdriver	Ø 4 to 6.5 mm PZ 2	Ø 4 to 6.5 mm PZ 2
Tightening torque Min. Max. Recommended	2 Nm 3.5 Nm 3 Nm	2.5 Nm 4 Nm 3 Nm
Stripping length	15 mm	17 mm

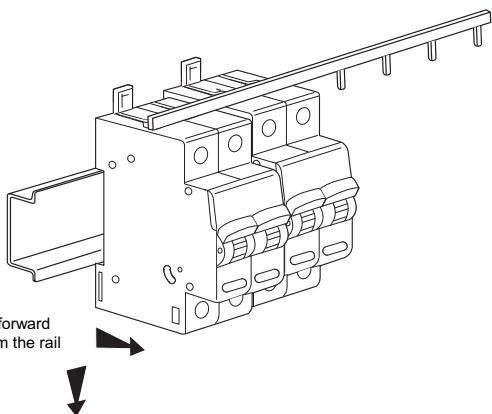
Cage terminals with mixed pozidrive disengaging and captive screws. Terminals aligned and spaced to allow prong-and/or fork-type supply busbar connection both upstream and downstream with other products in the range. All devices can be disconnected and removed independently.

6. MOUNTING, FIXING (continued)

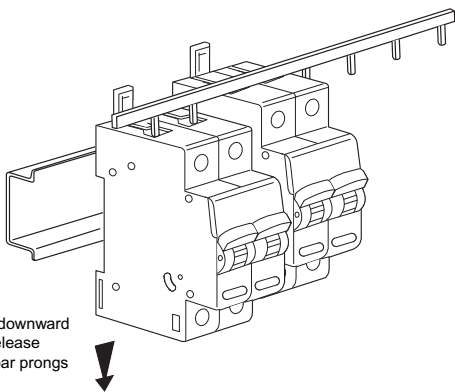
Loosen the terminals
as much as possible



Pull the device forward
to release it from the rail



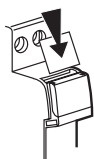
Pull the device downward
to completely release
the supply busbar prongs



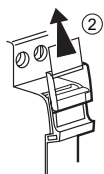
• Marking

Circuit marking on the front face :

- using label creation software
- using an electronic title-printer with keyboard
- using a sheet of pre-printed symbols



Installation



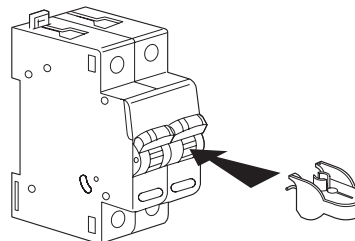
Changing

7. ACCESSORIES

• Wiring accessories

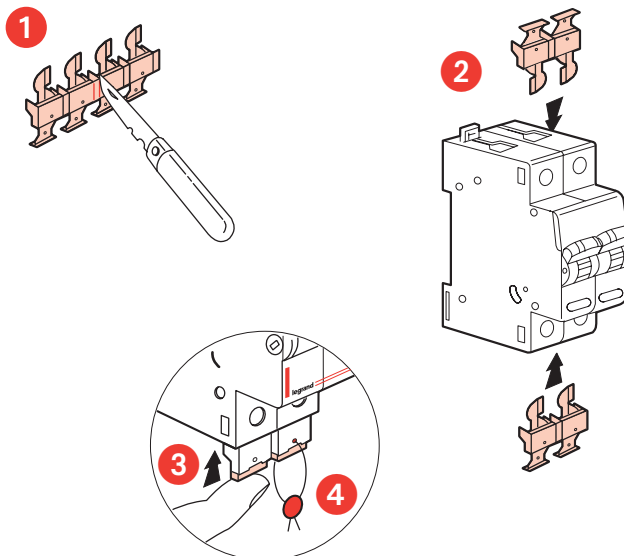
- Power supply busbars
- Input terminals

• Padlocking accessories, Cat. No. 4 063 03

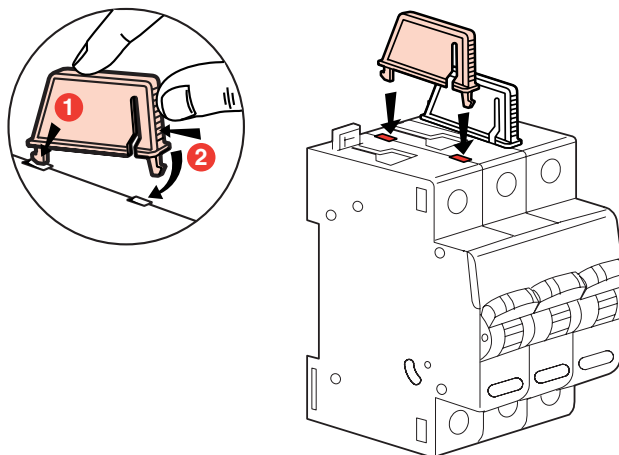


- Padlock 5 mm Ø , Cat. No. 4 063 13
- Padlock 6 mm Ø , Cat. No. 227 97

• Sealable terminal shields, Cat. No. 4 063 04



• Insulating shield, Cat. No. 4 063 05



7. ACCESSORIES *(continued)*

• Auxiliaries

- Auxiliary changeover contact 250 V~ (0.5 module), Cat. No. 4 062 58
- Auxiliary changeover contact + fault signalling changeover contact (6A - 250 V~) Cat. No. 4 062 66 - 1 module can be modified to 2 auxiliary changeover contacts.
- Shunt trip 12 to 48 V~ and \equiv Cat. No. 4 062 76
- Shunt trip 110 to 415 V~ and 110 to 125 V \equiv Cat. No. 4 062 78
- Undervoltage trip :
 - 24 V to 48 V \equiv Cat. No. 4 062 80
 - 230 V~ Cat. No. 4 062 82