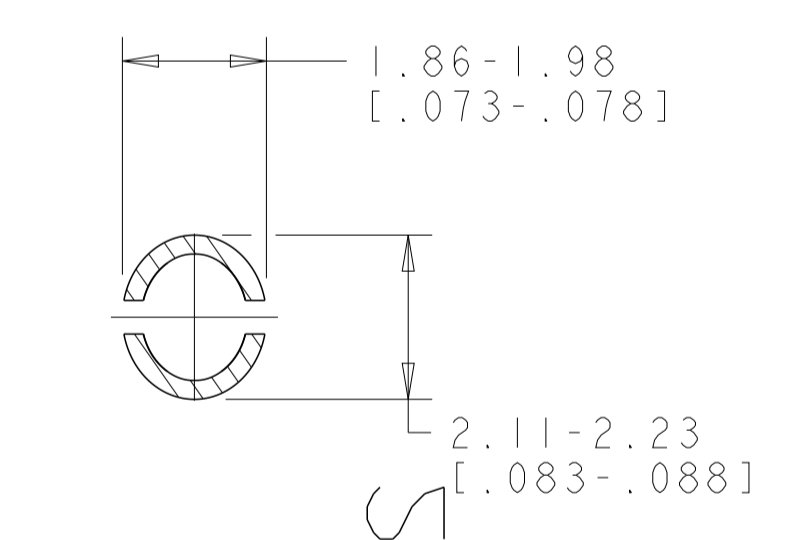
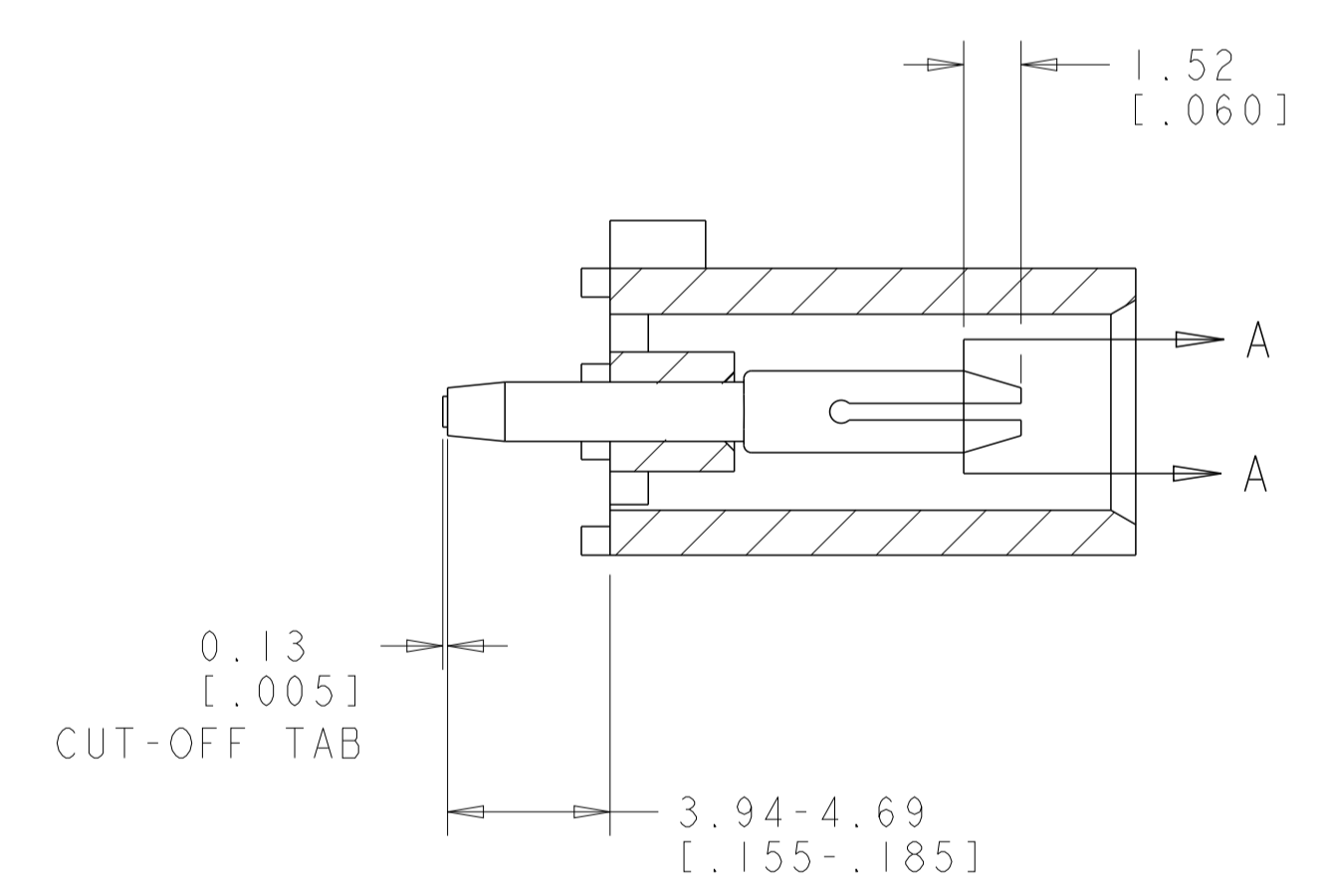
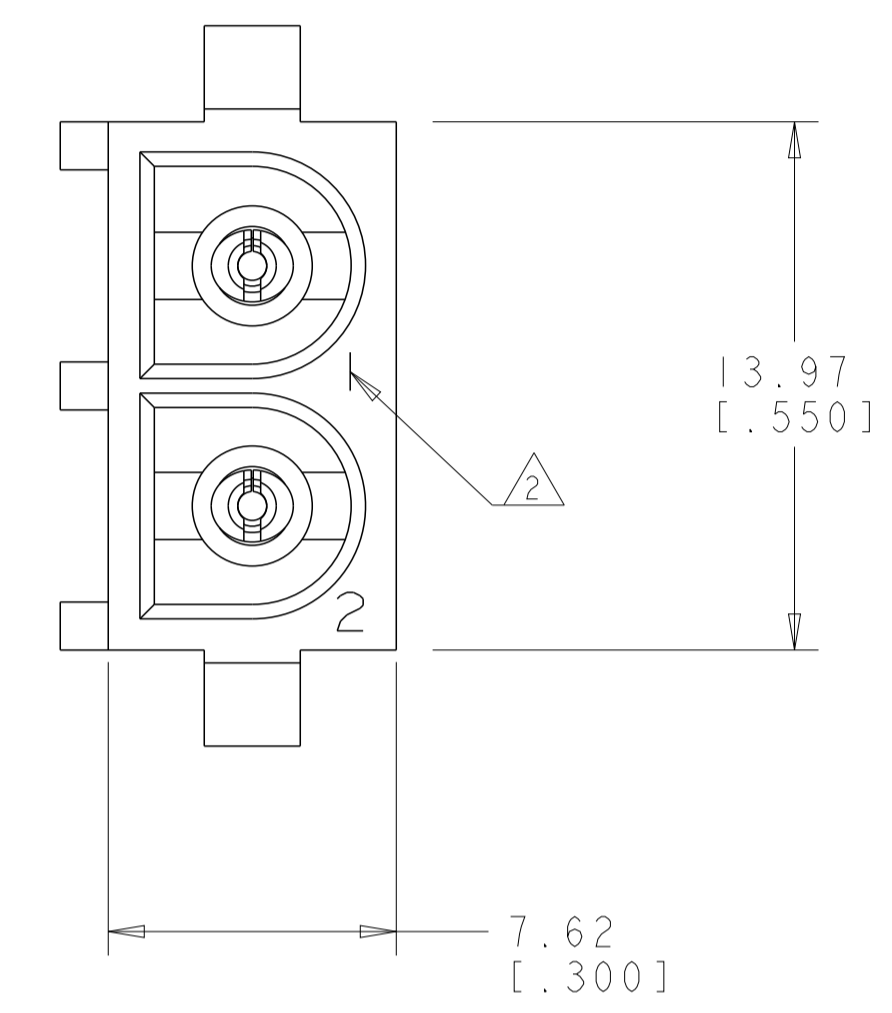
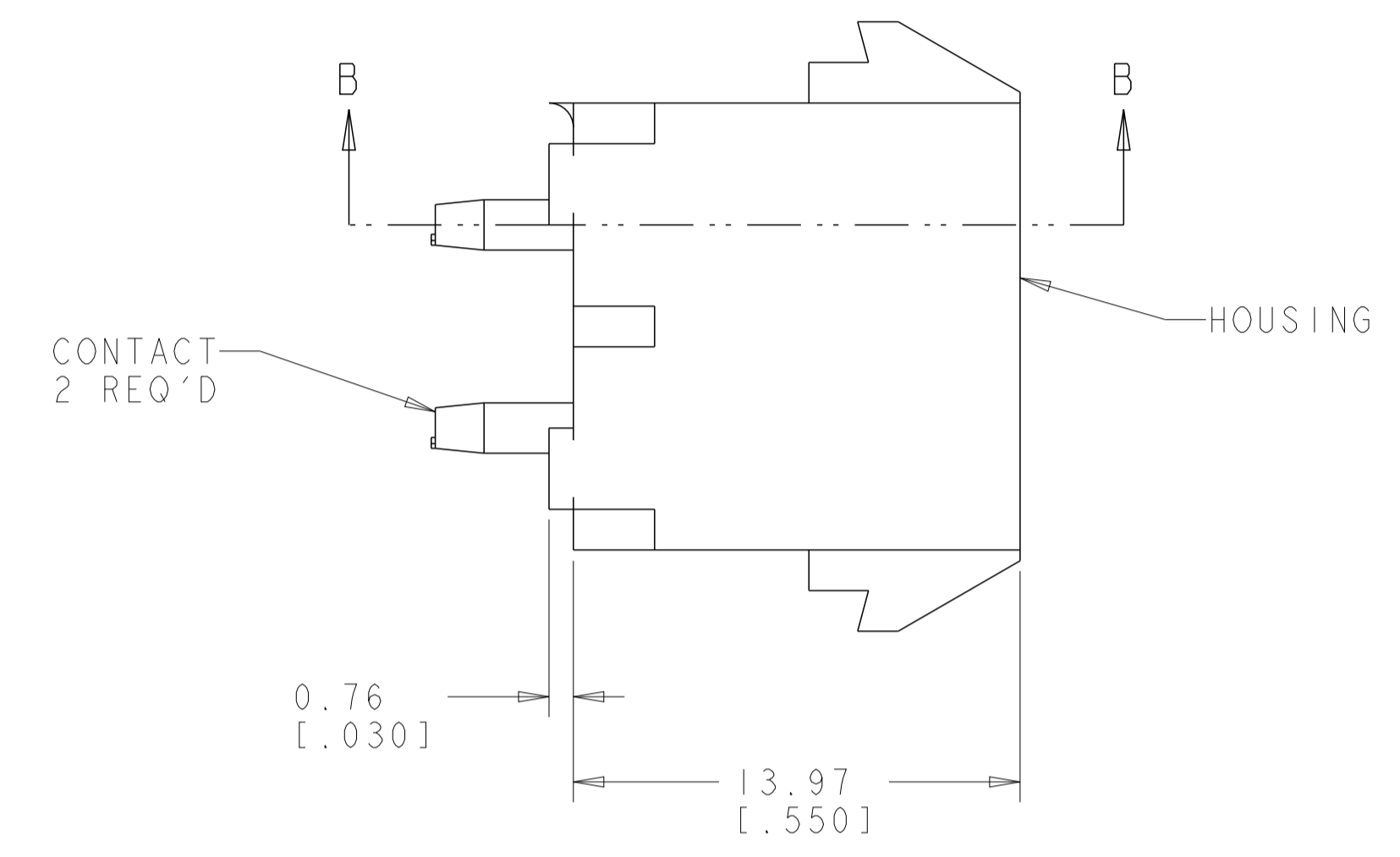
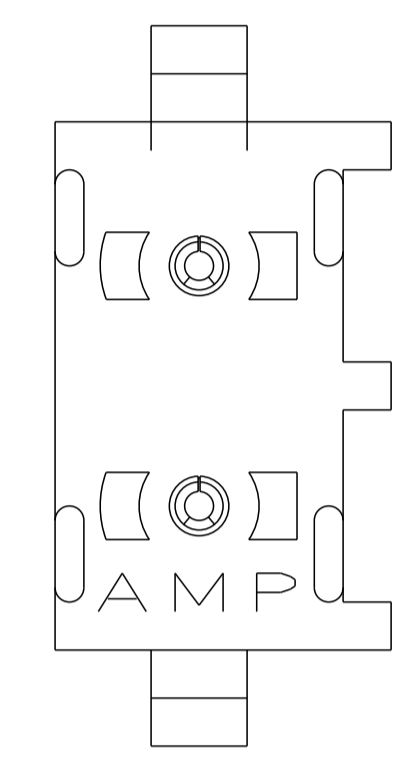


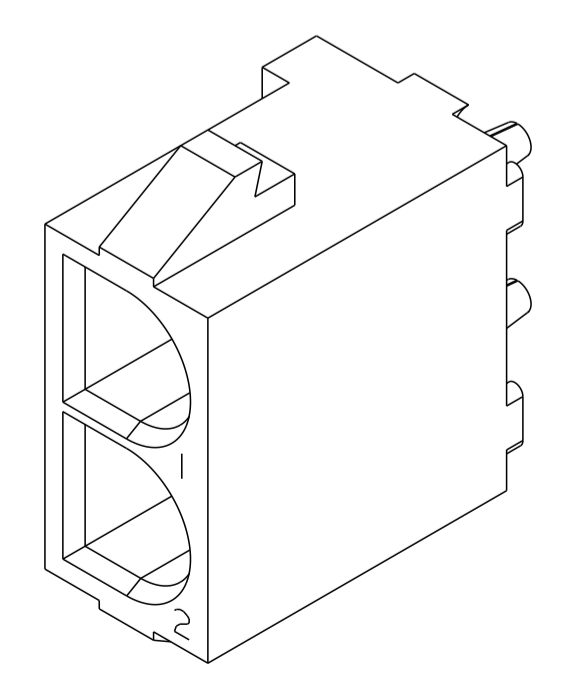
REVISIONS				
P	LTN	DESCRIPTION	DATE	APVD
A		REVISED PER ECR-16-002640	10MAR2016	BW EW

- PARTS COMPLY TO AMP SOLDERABILITY SPECIFICATION 109-11-3.
- CIRCUIT IDENTIFICATION CHARACTERS ARE ADJACENT TO THE INDICATED CAVITIES, BUT LOCATION AND ORIENTATION MAY DIFFER FROM PRINT.
- DIMENSIONS IN BRACKETS ARE IN INCHES.
- FLAMMABILITY UL V-0 FOR THICKNESS 0.4, 0.45, 0.8, 1.6, AND 3.0 PER IEC 60695-11-10.
- GLOW WIRE FLAMMABILITY (GWFI): 960°C FOR THICKNESS 0.45, 0.8, 1.6, AND 3.0 PER IEC 60695-2-12.
- GLOW WIRE IGNITION (GWIT): 825°C FOR THICKNESS 0.45, 800°C FOR THICKNESS 0.8, 775°C FOR THICKNESS 1.6 AND 3.0 PER IEC 60695-2-13.

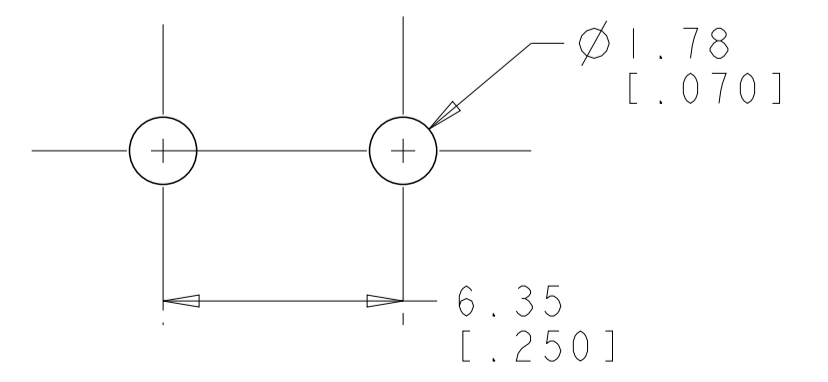


SECTION A-A
SCALE 10:1

SECTION B-B



3 DIMENSIONAL VIEW
SCALE 4:1



RECOMMENDED MOUNTING HOLE PATTERN
FOR 1.57 [.062] THICK P.C. BOARD

PHOSPOR BRONZE, PRE-TIN PIN CONTACT MATERIAL AND FINISH	NYLON, UL V-0 GW, NATURAL HOUSING MATERIAL AND COLOR	1969798-1 PART NUMBER
THIS DRAWING IS A CONTROLLED DOCUMENT.		DWN 25DEC2015 BHVESH VARAD
DIMENSIONS: mm [INCHES]		CHK 25DEC2015 WICKES, EVAN
TOLERANCES UNLESS OTHERWISE SPECIFIED:		APVD 25DEC2015 WICKES, EVAN
0 PLC ±	1 PLC ±	PRODUCT SPEC
2 PLC ±0.13(.005)	3 PLC ±	APPLICATION SPEC
4 PLC ±	ANGLES ±40°30'	FINISH
MATERIAL SEE TABLE	SEE TABLE	WEIGHT
CUSTOMER DRAWING		SCALE 5:1 SHEET 1 OF 1 REV A



NAME PIN HEADER ASSEMBLY,
2 CIRCUIT,
UNIVERSAL MATE-N-LOK(TM)
SIZE CAGE CODE DRAWING NO RESTRICTED TO
A100779C=1969798