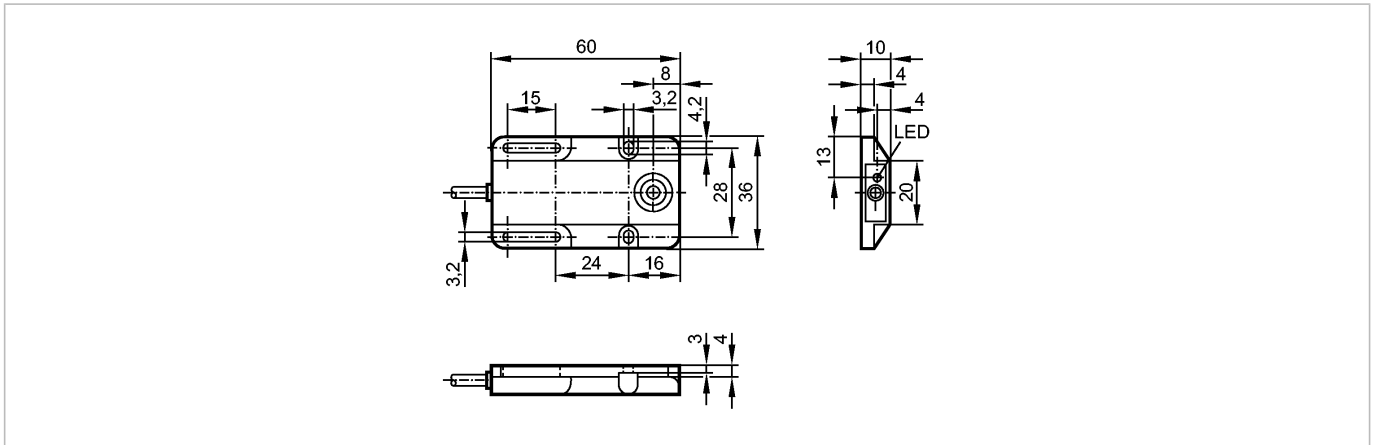


**IW5051**

IW-3005-BPKG

Inductive sensors



Made in Germany

**Product characteristics**

Inductive sensor

Rectangular, plastics

Cable

Sensing range 5 mm; [f] flush mountable

**Electrical data**

Electrical design		DC PNP
Operating voltage	[V]	10...36 DC
Current consumption	[mA]	< 15 (24 V)
Protection class		II
Reverse polarity protection		yes

**Outputs**

Output function		normally open
Voltage drop	[V]	< 2.5
Current rating	[mA]	250
Short-circuit protection		pulsed
Overload protection		yes
Switching frequency	[Hz]	400

**Range**

Sensing range	[mm]	5
Real sensing range (Sr)	[mm]	5 ± 10 %
Operating distance	[mm]	0...4.05

**Accuracy / deviations**

Correction factors		mild steel = 1 / stainless steel approx. 0.7 / brass approx. 0.4 / Al approx. 0.3 / Cu approx. 0.2
Hysteresis	[% of Sr]	1...15
Switch-point drift	[% of Sr]	-10...10

**Environment**

Ambient temperature	[°C]	-25...80
Protection		IP 67

**Tests / approvals**

EMC		EN 60947-5-2
MTTF	[Years]	1896

## IW5051

IW-3005-BPKG

Inductive sensors

### Mechanical data

Mounting	flush mountable
Housing materials	PBT
Weight [kg]	0.06

### Displays / operating elements

Output status indication	LED	yellow
--------------------------	-----	--------

### Electrical connection

Connection	PVC cable / 2 m; 3 x 0.14 mm <sup>2</sup>
------------	---

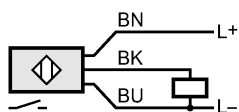
#### Wiring

Core colours

BN brown

BU blue

BK black



### Remarks

Pack quantity	[piece]	1
---------------	---------	---