

Product Compliance

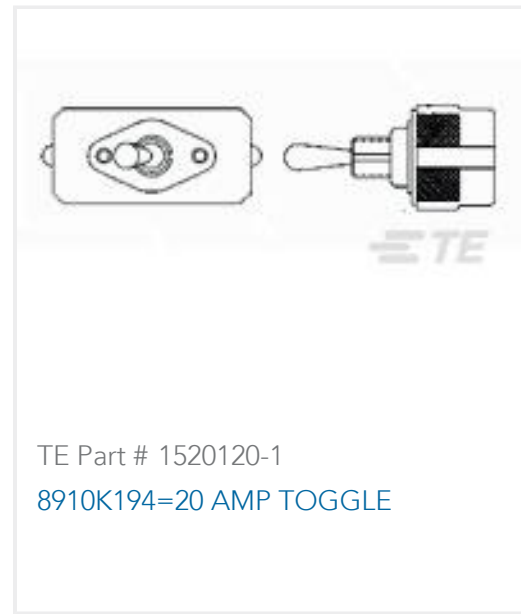
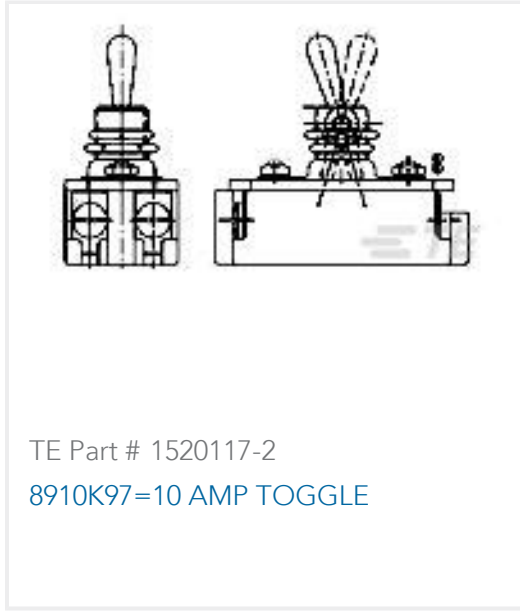
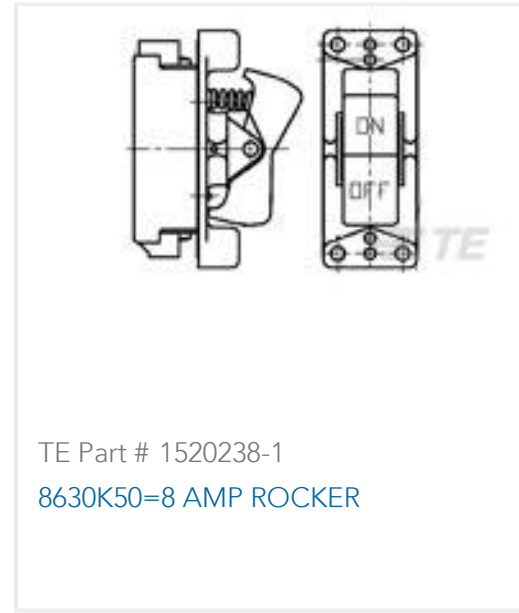
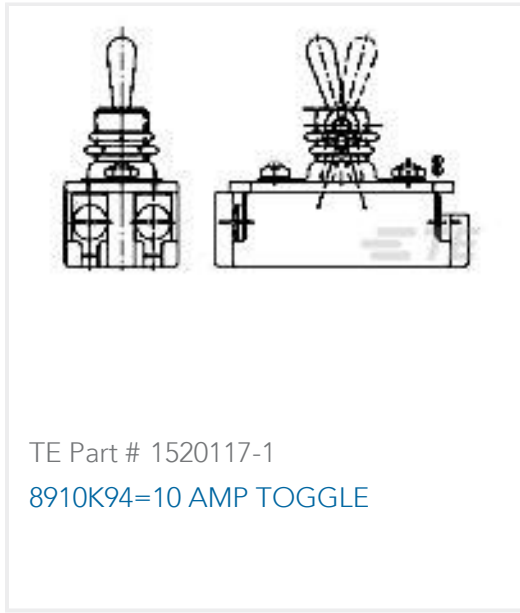
[For compliance documentation, visit the product page on TE.com>](#)

EU RoHS Directive 2011/65/EU	Compliant with Exemptions
EU ELV Directive 2000/53/EC	Not Compliant
China RoHS 2 Directive MIIT Order No 32, 2016	Restricted Materials Above Threshold
EU REACH Regulation (EC) No. 1907/2006	Current ECHA Candidate List: JAN 2025 (247) Candidate List Declared Against: JUL 2019 (201) SVHC > Threshold: Not Yet Reviewed
Halogen Content	Not Yet Reviewed for halogen content
Solder Process Capability	Not applicable for solder process capability

Product Compliance Disclaimer

This information is provided based on reasonable inquiry of our suppliers and represents our current actual knowledge based on the information they provided. This information is subject to change. The part numbers that TE has identified as EU RoHS compliant have a maximum concentration of 0.1% by weight in homogenous materials for lead, hexavalent chromium, mercury, PBB, PBDE, DBP, BBP, DEHP, DIBP, and 0.01% for cadmium, or qualify for an exemption to these limits as defined in the Annexes of Directive 2011/65/EU (RoHS2). Finished electrical and electronic equipment products will be CE marked as required by Directive 2011/65/EU. Components may not be CE marked. Additionally, the part numbers that TE has identified as EU ELV compliant have a maximum concentration of 0.1% by weight in homogenous materials for lead, hexavalent chromium, and mercury, and 0.01% for cadmium, or qualify for an exemption to these limits as defined in the Annexes of Directive 2000/53/EC (ELV). Regarding the REACH Regulations, TE's information on SVHC in articles for this part number is still based on the European Chemical Agency (ECHA) 'Guidance on requirements for substances in articles' (Version: 2, April 2011), applying the 0.1% weight on weight concentration threshold at the finished product level. TE is aware of the European Court of Justice ruling of September 10th, 2015 also known as O5A (Once An Article Always An Article) stating that, in case of 'complex object', the threshold for a SVHC must be applied to both the product as a whole and simultaneously to each of the articles forming part of its composition. TE has evaluated this ruling based on the new ECHA "Guidance on requirements for substances in articles" (June 2017, version 4.0) and will be updating its statements accordingly.

Compatible Parts



Customers Also Bought





TE Part #206430-1
RECPT, SZ 11-4, CPC



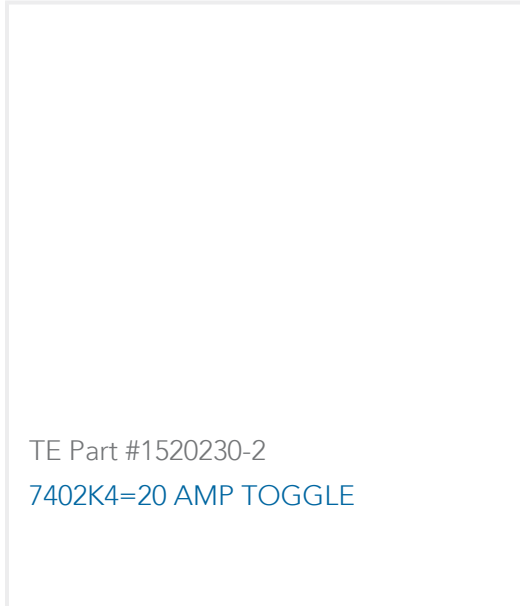
TE Part #2-1419106-5
27E893=SOCKET, KU, 11, QC, POLY,
DINRAIL



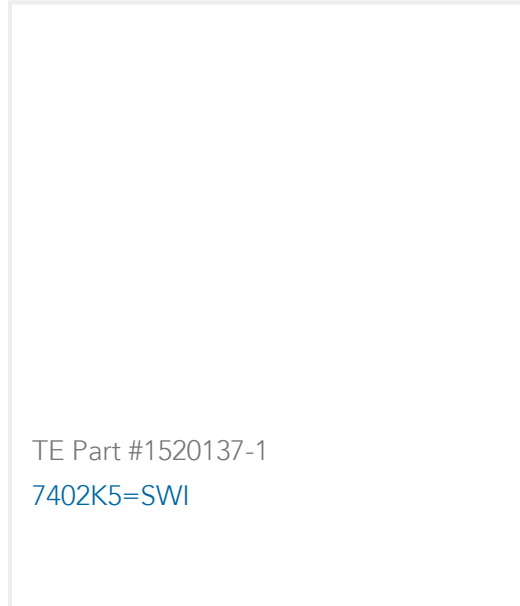
TE Part #8-1393113-5
KUEP-11D15-110=KU



TE Part #1-1423164-9
7022PB=RLY, STD, OFF, 2P, 125VDC, 5



TE Part #1520230-2
7402K4=20 AMP TOGGLE



TE Part #1520137-1
7402K5=SWI

Documents

Product Drawings

7360K7=10 AMP TOGGLE SWITCH/DI

English

CAD Files

Customer View Model

[ENG_CVM_CVM_1520228-3_B1.3d_igs.zip](#)

English

Customer View Model

[ENG_CVM_CVM_1520228-3_B1.3d_stp.zip](#)

English

Customer View Model

[ENG_CVM_CVM_1520228-3_B1.2d_dxf.zip](#)

English

3D PDF

3D

3D PDF

English

Customer View Model

[ENG_CVM_1520228-3_B.3d_igs.zip](#)

English

Customer View Model

[ENG_CVM_1520228-3_B.3d_stp.zip](#)

English

Customer View Model

[ENG_CVM_1520228-3_B.2d_dxf.zip](#)

English



By downloading the CAD file I accept and agree to the [Terms and Conditions](#) of use.

Datasheets & Catalog Pages

[SWITCHES_CORE_PROGRAM_CATALOG](#)

English

Agency Approvals

[UL](#)

English

[UL](#)

English

[UL](#)

English